

165616-5 ✓ ACTIVE

FASTON

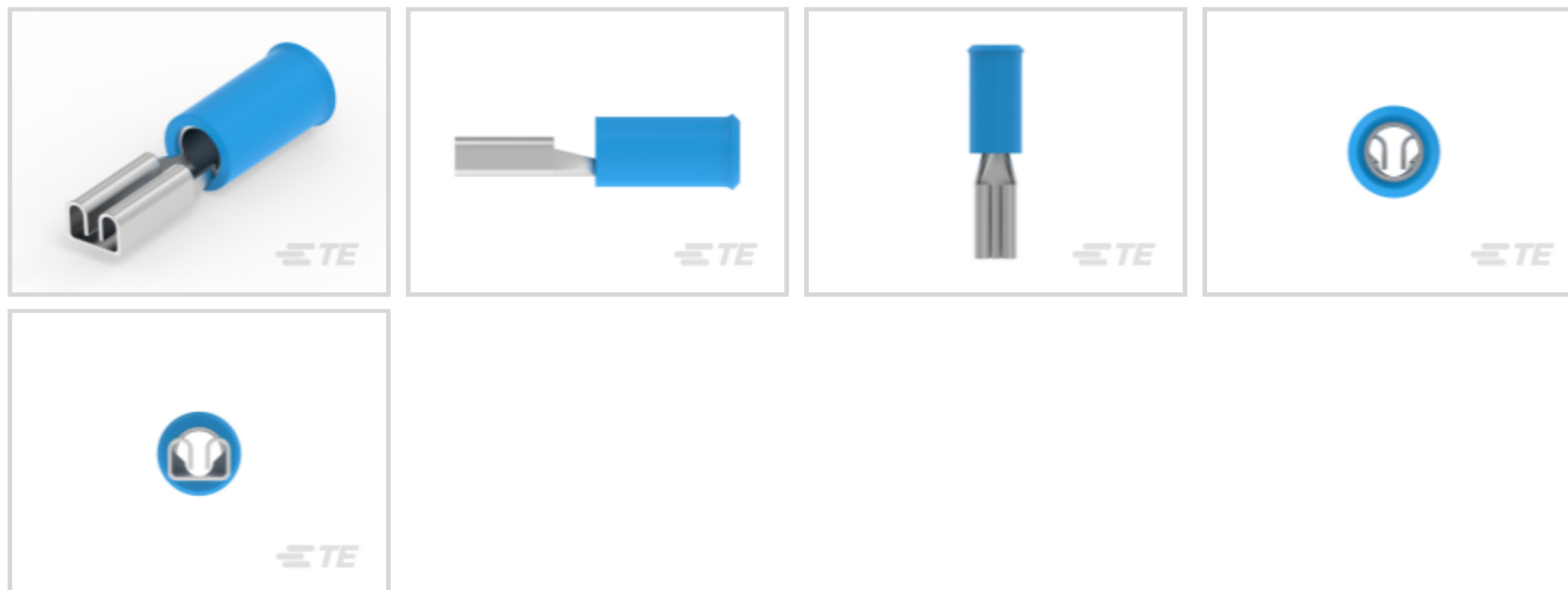
TE Internal #: 165616-5

Receptacle, 15.5 – 13.5 AWG Wire Size, 1.5 – 2.5 mm² Wire Size, 3000 – 4914 CMA Wire Size, Mating Tab Width 2.79 mm [.11 in], Quick Disconnects

[View on TE.com >](#)



Terminals & Splices > Quick Disconnects



Quick Disconnect Terminal Type: **Receptacle**

Wire Size: **3000 – 4914 CMA**

Mating Tab Width: **2.79 mm [.11 in]**

Features

Contact Features

Quick Disconnect Terminal Type	Receptacle
Mating Tab Width	2.79 mm [.11 in]
Mating Tab Thickness	.51 mm [.02 in]
Terminal Orientation	Straight
Contact Base Material	Phosphor Bronze
Terminal Plating Material	Tin
Crimp Type	Compression
Barrel Type	Closed

Dimensions

Wire Size	3000 – 4914 CMA
Product Length	19.8 mm [.779 in]
Compatible Insulation Diameter Range	4.3 mm [.169 in]

Packaging Features

Packaging Method	Loose Piece
Packaging Quantity	1000



Product Type Features

Insertion Force	Normal
-----------------	--------

Usage Conditions

Insulation Option	Partially Insulated
Operating Temperature Range	105 °C[221 °F]

Other

EU RoHS Compliance	Compliant
EU ELV Compliance	Compliant
Barrel Color	Blue

Configuration Features

Connection Capacity	Single
---------------------	--------

Electrical Characteristics

Voltage Rating	300 V
----------------	-------

Body Features

Insulation Material	Nylon
---------------------	-------

Termination Features

Product Terminates To	Wire & Cable
-----------------------	--------------

Mechanical Attachment

Wire Insulation Support	With
Mating Retention Type	Dimple

Product Compliance

[For compliance documentation, visit the product page on TE.com>](#)

EU RoHS Directive 2011/65/EU	Compliant
EU ELV Directive 2000/53/EC	Compliant
China RoHS 2 Directive MIIT Order No 32, 2016	No Restricted Materials Above Threshold
EU REACH Regulation (EC) No. 1907/2006	Current ECHA Candidate List: JUNE 2024 (241) Candidate List Declared Against: JUNE 2024 (241) Does not contain REACH SVHC
Halogen Content	Low Halogen - Br, Cl, F, I < 900 ppm per homogenous material. Also BFR/CFR/PVC Free

Solder Process Capability

Not applicable for solder process capability

Product Compliance Disclaimer

This information is provided based on reasonable inquiry of our suppliers and represents our current actual knowledge based on the information they provided. This information is subject to change. The part numbers that TE has identified as EU RoHS compliant have a maximum concentration of 0.1% by weight in homogenous materials for lead, hexavalent chromium, mercury, PBB, PBDE, DBP, BBP, DEHP, DIBP, and 0.01% for cadmium, or qualify for an exemption to these limits as defined in the Annexes of Directive 2011/65/EU (RoHS2). Finished electrical and electronic equipment products will be CE marked as required by Directive 2011/65/EU. Components may not be CE marked. Additionally, the part numbers that TE has identified as EU ELV compliant have a maximum concentration of 0.1% by weight in homogenous materials for lead, hexavalent chromium, and mercury, and 0.01% for cadmium, or qualify for an exemption to these limits as defined in the Annexes of Directive 2000/53/EC (ELV). Regarding the REACH Regulation, the information TE provides on SVHC in articles for this part number is based on the latest European Chemicals Agency (ECHA) 'Guidance on requirements for substances in articles' posted at this URL: <https://echa.europa.eu/guidance-documents/guidance-on-reach>

Compatible Parts



REPRESENTATION ONLY

TE Part # 47387-7
DAHT PG PIDG 16-12 ASSY




REPRESENTATION ONLY

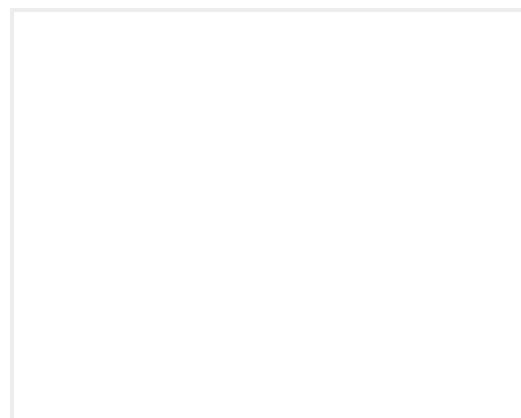
TE Part # 525691
DAHT PG PIDG 16-14 ASSY



TE Part # 169400
CERTI-LOK FRAME W/O DIES



TE Part # 2392022-2
BLUE BATTERY DAHT KIT 220V (47387-7)



TE Part # 2392022-1
BLUE BATTERY DAHT KIT 110V (47387-7)



TE Part # 169404
CERTI-LOK DIE


Customers Also Bought



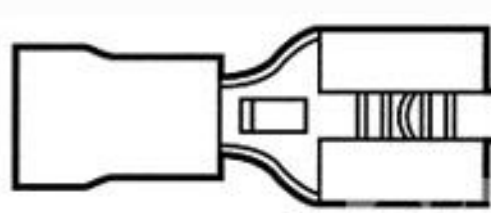
TE Part # HDP26-24-16SE
PLG, 16P, BLK, E, 12, S



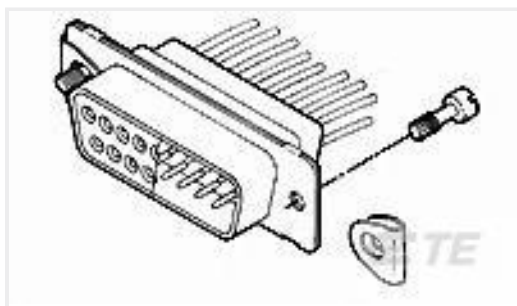
TE Part # 52420-1
TERMINAL, PIDG SPR SPD 16-14 6



TE Part # 130094
PIDG RING



TE Part # 9-160583-2
250 PIDG FASTON REC



TE Part #1857211-3
4-40 UNC Screw Retainer Kit Am



TE Part #1-480706-0
09P UMNL PLUG HSG NATL



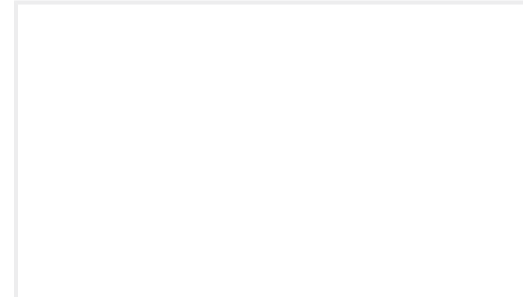
TE Part #1-480708-0
12P UMNL PLUG HSG NATL



TE Part #328307
SPARE WIRE CAP, RED 22-18 AWG



TE Part #613507-000
B-150-05



TE Part #4451293001
100F0111-20

Documents

Product Drawings

[110 PIDG FASTON REC](#)

English

CAD Files

[3D PDF](#)

3D

Customer View Model

[ENG_CVM_CVM_165616-5_E.2d_dxf.zip](#)

English

Customer View Model

[ENG_CVM_CVM_165616-5_E.3d_igs.zip](#)

English

Customer View Model

[ENG_CVM_CVM_165616-5_E.3d_stp.zip](#)

English

By downloading the CAD file I accept and agree to the [Terms and Conditions](#) of use.