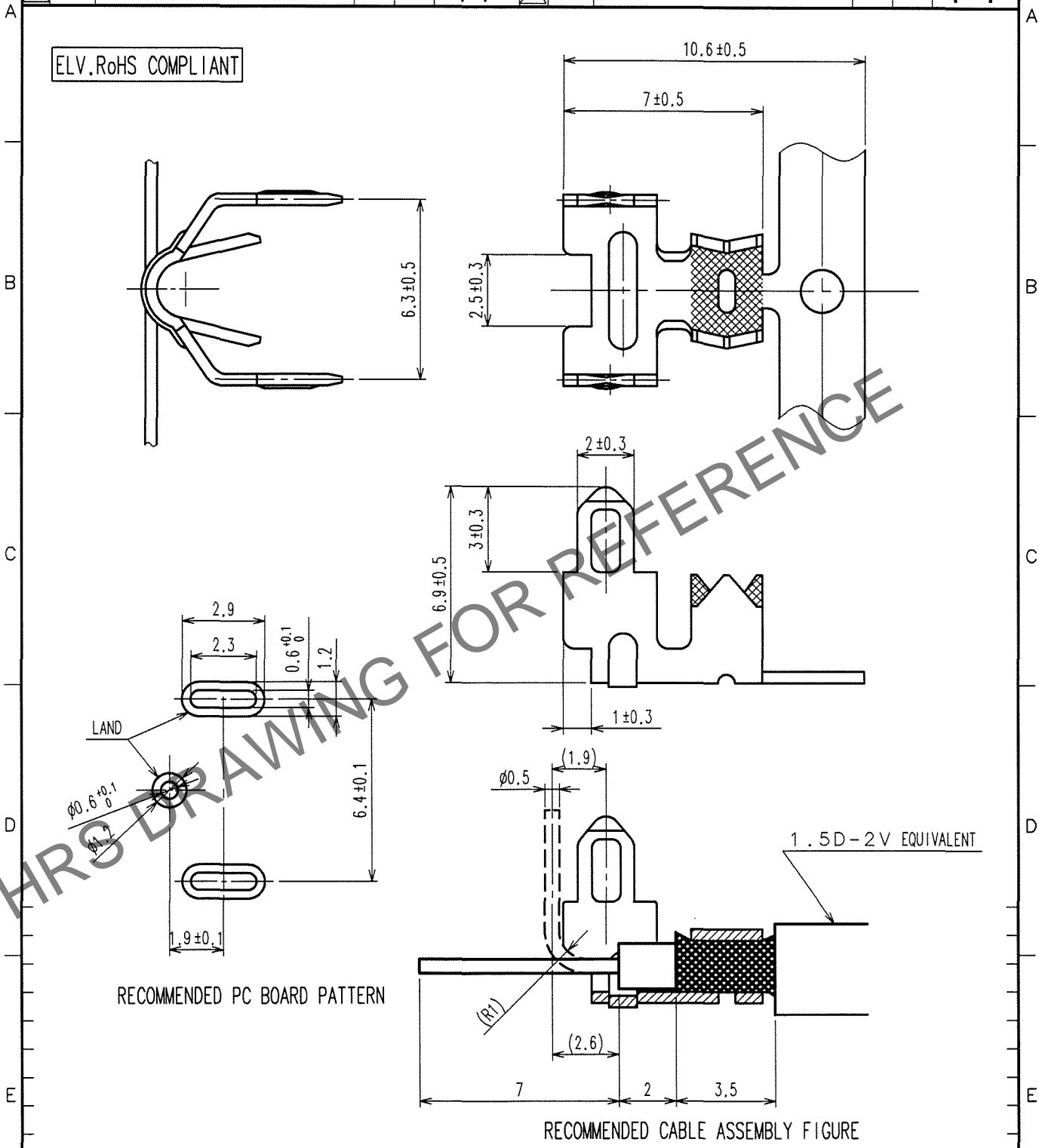


Oct.1.2024 Copyright 2024 HIROSE ELECTRIC CO., LTD. All Rights Reserved.
 In case of consideration for using Automotive equipment / device which demand high reliability, kindly contact our sales window correspondents.

1		2			3			4		
COUNT	DESCRIPTION OF REVISIONS	BY	CHKD	DATE	COUNT	DESCRIPTION OF REVISIONS	BY	CHKD	DATE	
△				..	△				..	
△				..	△				..	
△				..	△				..	



1	BRASS	TIN PLATED					
NO.	MATERIAL	FINISH, REMARKS	NO.	MATERIAL	FINISH, REMARKS		
CODE NO. (OLD) CL559-0228-3			DRAWN S.KURIYA '06.8.10	DESIGNED T.IKEDA '01.11.13	CHECKED K. Aato '06.8.10	APPROVED K. Aato '06.8.10	RELEASED
DRAWING NO. EDC4-165140-01		PART NO. G-1.6PCF(70)		CODE NO. CL755-0029-8-70		1/1	
SACLE 5 : 1		HRS HIROSE ELECTRIC CO.,LTD.					
UNITS mm							

TO