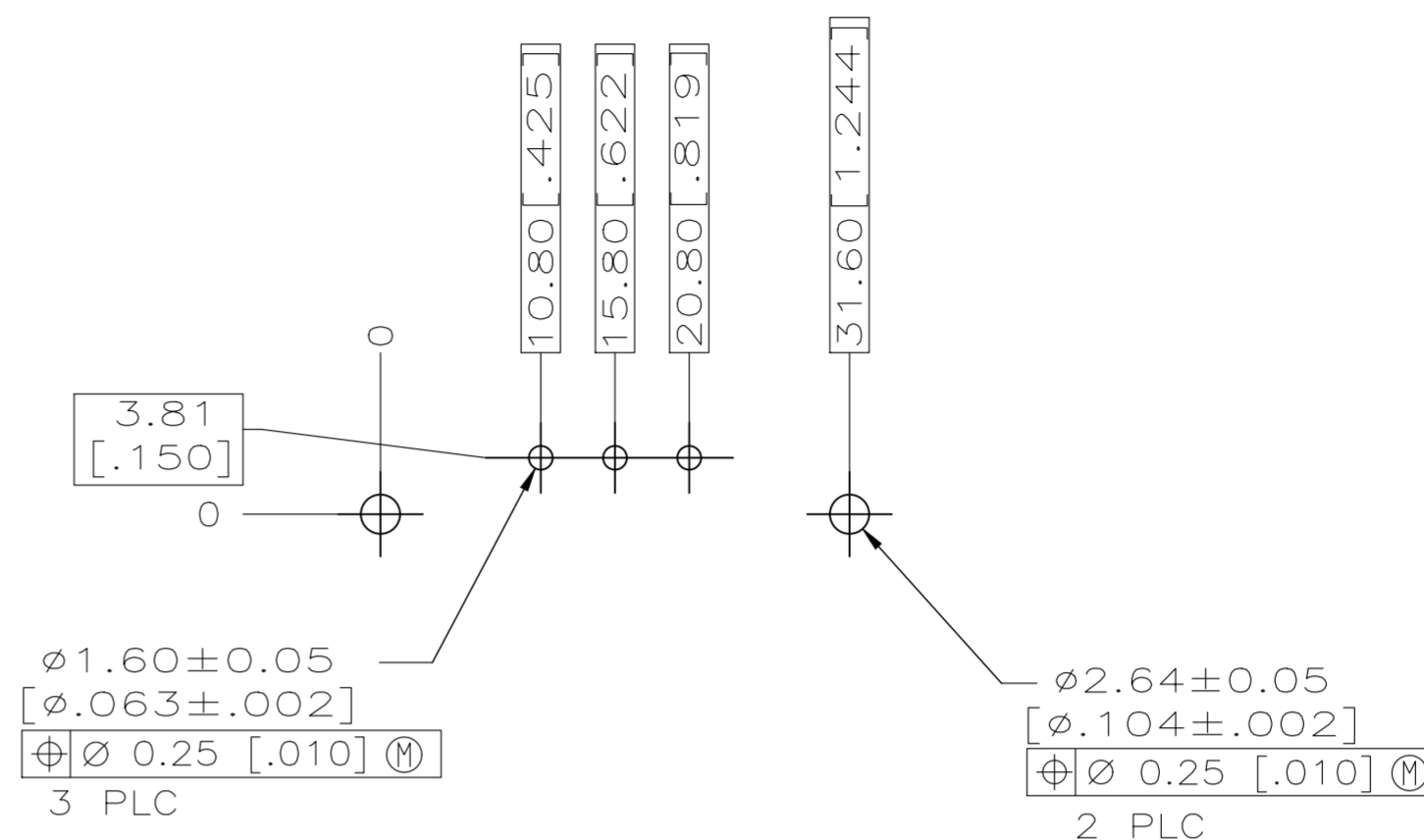
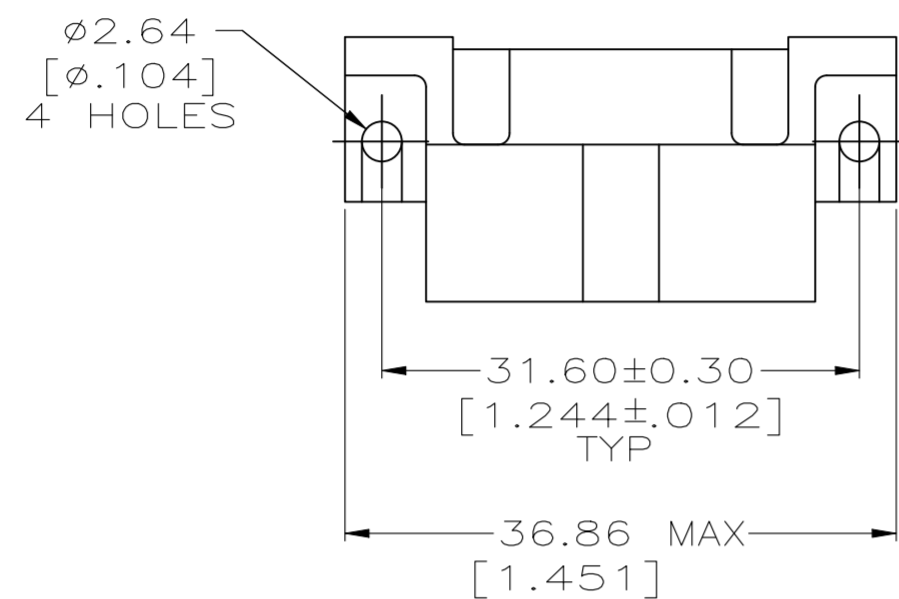
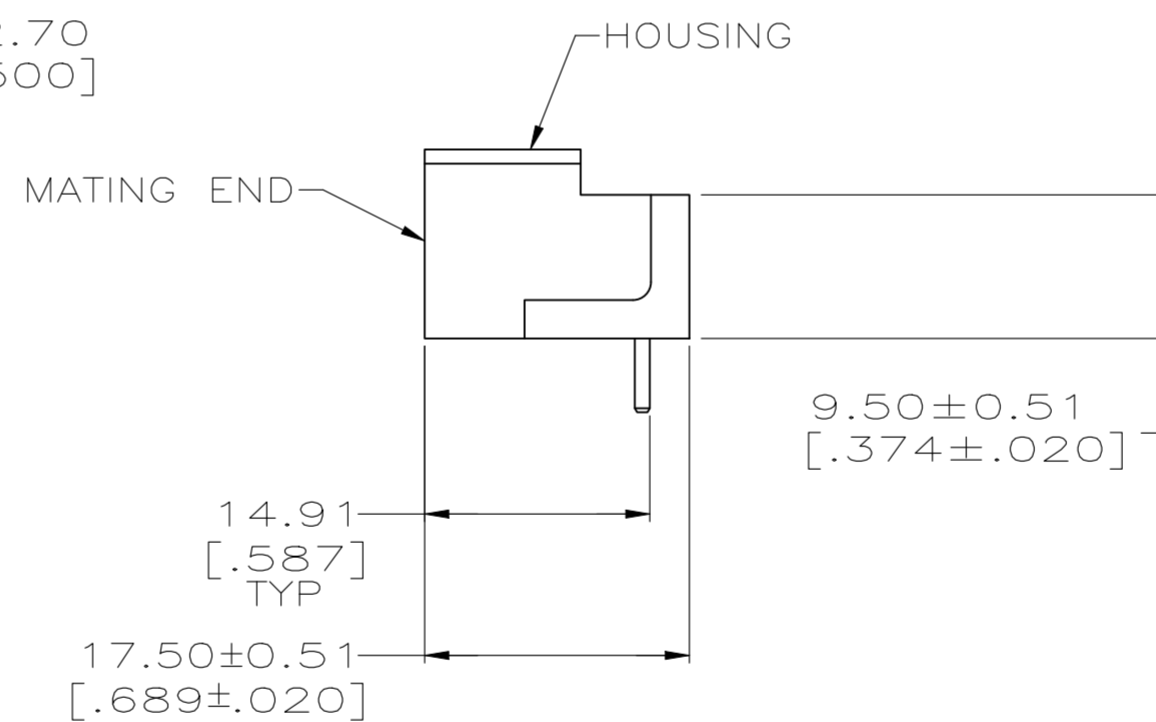
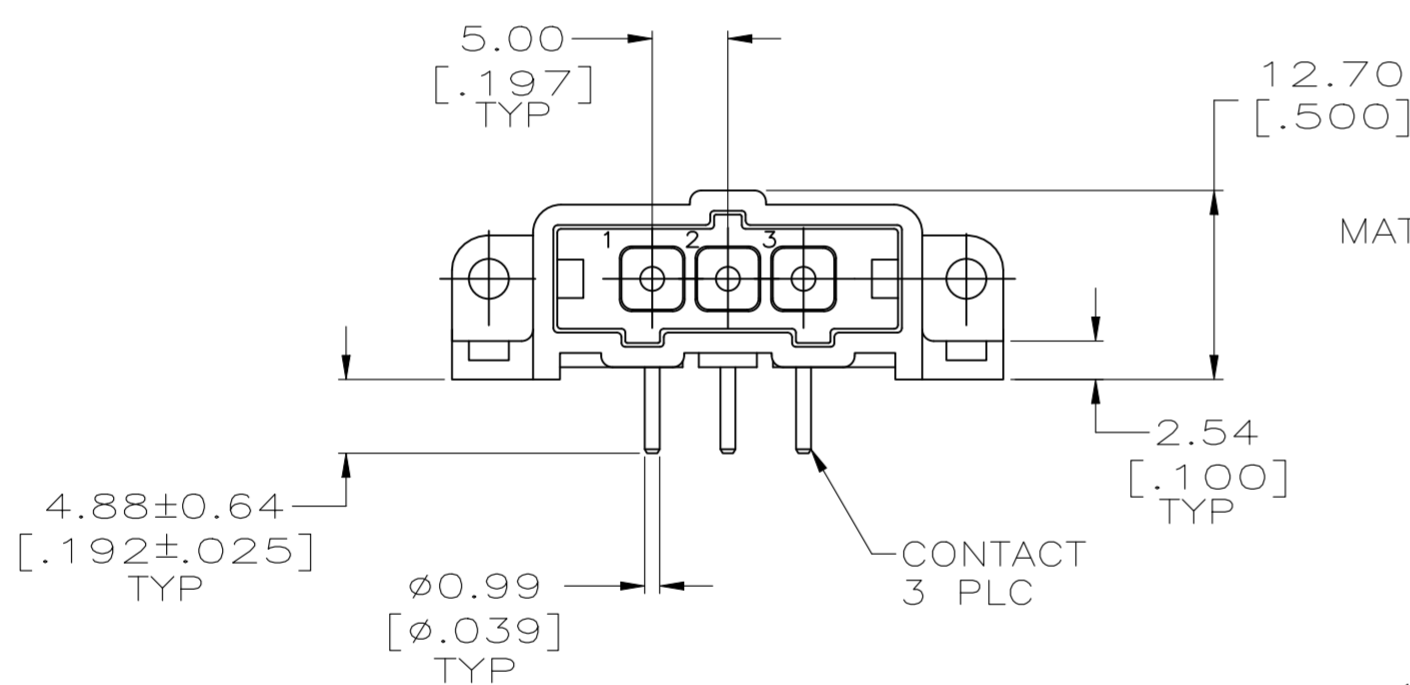


| REVISIONS |     |                           |           |        |
|-----------|-----|---------------------------|-----------|--------|
| P         | LTR | DESCRIPTION               | DATE      | APVD   |
| N         |     | REVISED PER ECR-24-213594 | 01JUL2024 | RK FJS |



RECOMMENDED PC BOARD LAYOUT



- ① HOUSING MATERIAL: PA66, BLACK, UL 94 V-0 RATED.
- ② BRASS PER ASTM B36.
- ③ 3.81um [.000150] MIN TIN-LEAD OVER 2.54um [.000100] MIN COPPER OF 1.27um [.000050] MIN NICKEL.
- ④ 0.76um [.000030] MIN GOLD FOR A LENGTH OF 5.08 [.200] MIN FROM MATING END, 3.81um [.000150] MIN TIN-LEAD FOR A LENGTH OF 5.51 [.217] MIN FROM OPPOSITE END, BOTH OVER 1.27um [.000050] MIN NICKEL.
- ⑤ 3.81um [.000150] MIN TIN OVER 2.54um [.000100] MIN COPPER OF 1.27um [.000050] MIN NICKEL.
- ⑥ 0.76um [.000030] MIN PRECIOUS METAL PLATE FOR A LENGTH OF 5.08 [.200] MIN FROM MATING END, 3.81um [.000150] MIN TIN FOR A LENGTH OF 5.51 [.217] MIN FROM OPPOSITE END, BOTH OVER 1.27um [.000050] MIN NICKEL.

| FINISH | PART NUMBER |
|--------|-------------|
| ⑥      | 207541-7    |
| ⑤      | 207541-6    |
| ④      | 207541-3    |
| ③      | 207541-1    |

|  |               |                     |         |               |  |        |
|--|---------------|---------------------|---------|---------------|--|--------|
| THIS DRAWING IS A CONTROLLED DOCUMENT. |               | DWN                 | L.SIPE  | 07/07/92      | <b>TE</b> TE Connectivity  |        |
| DIMENSIONS: mm [INCHES]                |               | CHK                 | R.STONE | 7-24-92       |  |        |
| TOLERANCES UNLESS OTHERWISE SPECIFIED: |               | APVD                | -       | -             | NAME   |        |
| 0 PLC                                  | ± -           | PRODUCT SPEC        | -       | -             | PIN HEADER ASSY, 3 POSN,<br>IN-LINE, RIGHT ANGLE, SMALL<br>METRIC CONNECTOR, METRIMATE |        |
| 1 PLC                                  | ± -           | APPLICATION SPEC    | -       | -             |  |        |
| 2 PLC                                  | ± 0.25 [.010] | SCALE               | 2:1     | SHEET         |  | 1 OF 1 |
| 3 PLC                                  | ± -           | WEIGHT              | -       | REV           |  | N      |
| 4 PLC                                  | ± -           | CUSTOMER DRAWING    |         | RESTRICTED TO |  |        |
| ANGLES                                 | ± -           | CONTACTS: SEE TABLE |         | DRAWING NO    |  |        |
| MATERIAL HOUSING: ① CONTACTS: ②        |               | SIZE                |         | CAGE CODE     |  |        |
|  |               | A2                  |         | 00779         |  |        |
|  |               | DRAWING NO          |         | C=207541      |  |        |