

# 3430B2F390RTDF ✓ ACTIVE



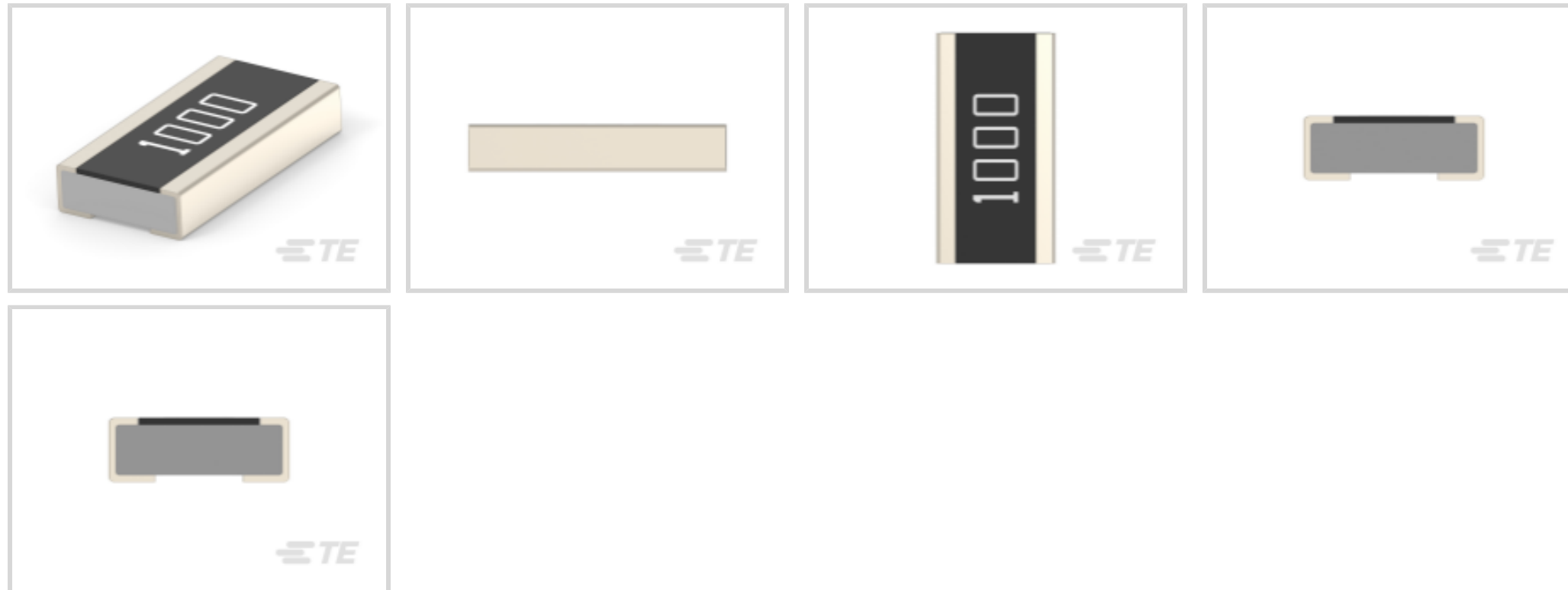
CGS | CGS 3430

TE Internal #: 6-2176558-4

Power Resistor, Thick Film, 0612, 1.5 W, 390 ohm, 1 %,  $\pm 100$  ppm/ $^{\circ}$ C, Solder, 2 Termination, Height .55 mm [.022 in], Length 1.55 mm [.061 in], CGS 3430

[View on TE.com >](#)

Passive Components > Resistors > Surface Mount Resistors



Resistor Type: **Power Resistor**

Element Type: **Thick Film**

Package Size Code: **0612**

Power Rating: **1.5 W**

Resistance Value: **390  $\Omega$**

## Features

### Product Type Features

|                   |                |
|-------------------|----------------|
| Resistor Type     | Power Resistor |
| Element Type      | Thick Film     |
| Package Size Code | 0612           |

### Electrical Characteristics

|                             |                   |
|-----------------------------|-------------------|
| Power Rating                | 1.5 W             |
| Resistance Value            | 390 $\Omega$      |
| Resistance Class            | Up to 1k $\Omega$ |
| Passive Component Tolerance | 1 %               |
| Operating Voltage           | 200 V             |

### Usage Conditions

|                             |                             |
|-----------------------------|-----------------------------|
| Temperature Coefficient     | $\pm 100$ ppm/ $^{\circ}$ C |
| Operating Temperature Range | -55 – 155 $^{\circ}$ C      |

### Termination Features

|   |        |
|---|--------|
| Surface Mount Resistor Termination Type | Solder |
|---|--------|



|                        |   |
|------------------------|---|
| Number of Terminations | 2 |
|------------------------|---|

### Dimensions

|                |                  |
|----------------|------------------|
| Product Height | .55 mm [.022 in] |
|----------------|------------------|

|                |                   |
|----------------|-------------------|
| Product Length | 1.55 mm [.061 in] |
|----------------|-------------------|

|               |                |
|---------------|----------------|
| Product Width | 3 mm [.118 in] |
|---------------|----------------|

### Configuration Features

|                     |   |
|---------------------|---|
| Number of Resistors | 1 |
|---------------------|---|

### Packaging Features

|                  |                |
|------------------|----------------|
| Packaging Method | Taped & Reeled |
|------------------|----------------|

### Other

|                    |                           |
|--------------------|---------------------------|
| EU RoHS Compliance | Compliant with Exemptions |
|--------------------|---------------------------|

|                   |               |
|-------------------|---------------|
| EU ELV Compliance | Not Compliant |
|-------------------|---------------|

## Product Compliance

[For compliance documentation, visit the product page on TE.com>](#)

|                              |                           |
|------------------------------|---------------------------|
| EU RoHS Directive 2011/65/EU | Compliant with Exemptions |
|------------------------------|---------------------------|

|                             |               |
|-----------------------------|---------------|
| EU ELV Directive 2000/53/EC | Not Compliant |
|-----------------------------|---------------|

|   |                                      |
|---|--------------------------------------|
| China RoHS 2 Directive MIIT Order No 32, 2016 | Restricted Materials Above Threshold |
|---|--------------------------------------|

|  |   |
|--|---|
| EU REACH Regulation (EC) No. 1907/2006 | Current ECHA Candidate List: JUNE 2024 (241)<br>Candidate List Declared Against: JUNE 2024 (241)<br>Does not contain REACH SVHC |
|--|---|

|                 |   |
|-----------------|---|
| Halogen Content | Low Halogen - Br, Cl, F, I < 900 ppm per homogenous material. Also BFR/CFR/PVC Free |
|-----------------|---|

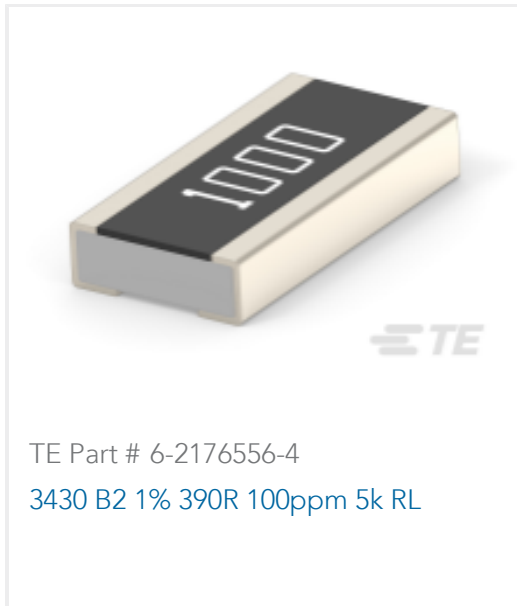
|                           |                                |
|---------------------------|--------------------------------|
| Solder Process Capability | Reflow solder capable to 260°C |
|---------------------------|--------------------------------|

#### Product Compliance Disclaimer

This information is provided based on reasonable inquiry of our suppliers and represents our current actual knowledge based on the information they provided. This information is subject to change. The part numbers that TE has identified as EU RoHS compliant have a maximum concentration of 0.1% by weight in homogenous materials for lead, hexavalent chromium, mercury, PBB, PBDE, DBP, BBP, DEHP, DIBP, and 0.01% for cadmium, or qualify for an exemption to these limits as defined in the Annexes of Directive 2011/65/EU (RoHS2). Finished electrical and electronic equipment products will be CE marked as required by Directive 2011/65/EU. Components may not be CE marked. Additionally, the part numbers that TE has identified as EU ELV compliant have a maximum concentration of 0.1% by weight in homogenous materials for lead, hexavalent chromium, and mercury, and 0.01% for cadmium, or qualify for an exemption to these limits as defined in the Annexes of Directive 2000/53/EC (ELV). Regarding the REACH Regulation, the information TE provides

on SVHC in articles for this part number is based on the latest European Chemicals Agency (ECHA) 'Guidance on requirements for substances in articles' posted at this URL: <https://echa.europa.eu/guidance-documents/guidance-on-reach>

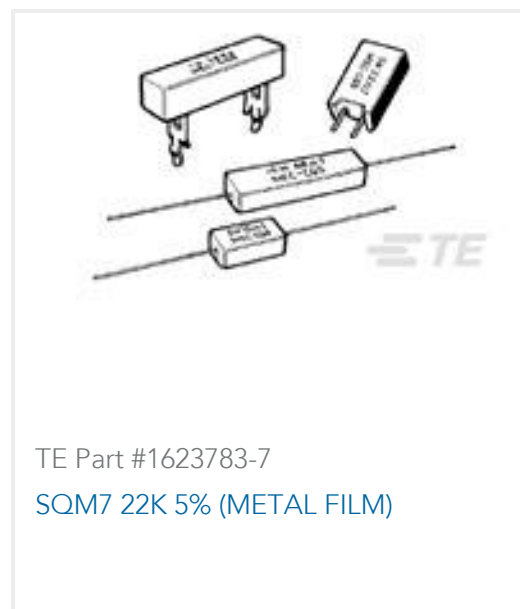
## Compatible Parts



## Also in the Series | CGS 3430



## Customers Also Bought





## Documents

### Product Drawings

[3430 B2 1% 390R 100ppm 1k RL](#)

English

### CAD Files

Customer View Model

[ENG\\_CVM\\_CVM\\_6-2176558-4\\_BA.3d\\_igs.zip](#)

English

Customer View Model

[ENG\\_CVM\\_CVM\\_6-2176558-4\\_BA.3d\\_stp.zip](#)

English

Customer View Model

[ENG\\_CVM\\_CVM\\_6-2176558-4\\_BA.2d\\_dxf.zip](#)

English

### 3D PDF

3D

By downloading the CAD file I accept and agree to the [Terms and Conditions](#) of use.

### Datasheets & Catalog Pages

[Datasheet - CGS 3430 Series](#)

English

[Automotive Grade Wide Terminal Chip Resistor - Type 3430 Series](#)

English