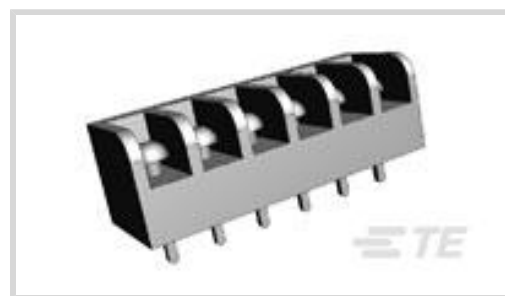


[Connectors >](#) [Terminal Blocks & Strips >](#) [Barrier Strips](#)Barrier Strip Style: **Tri-Barrier**Bottom Termination Type: **Printed Circuit Pin**Connector System: **Wire-to-Board**Number of Positions: **6**Centerline (Pitch): **6.35 mm [.25 in]**

## Features

### Body Features

Barrier Strip Style	Tri-Barrier
Primary Product Color	Black
Product Orientation	Vertical

### Termination Features

Bottom Termination Type	Printed Circuit Pin
-------------------------	---------------------

### Product Type Features

Connector System	Wire-to-Board
Connector & Contact Terminates To	Printed Circuit Board
Block Style	Flat Bottom with standoffs

### Configuration Features

Number of Positions	6
Number of Rows	1
Number of Levels	1

### Housing Features

Centerline (Pitch)	6.35 mm [.25 in]
Housing Material	Thermoplastic

### Electrical Characteristics

Operating Voltage	300 V
-------------------	-------



### Dimensions

Wire Size	.05 – 1.3 mm <sup>2</sup>
Product Length	39.37 mm[1.55 in]

### Contact Features

Contact Current Rating (Max)	10 A
Contact Base Material	Copper Alloy
PCB Contact Termination Area Plating Material	Tin

### Mechanical Attachment

Connector Mounting Type	Board Mount
Top Termination Type	Wire Clamp Combo Head
Mounting Options	None
Screw Plating Material	Zinc
Screw Material	Steel
Thread Size	M3
Screw Head Type	Combo Phil-Slot

### Usage Conditions

Operating Temperature Range	-40 – 105 °C[-40 – 221 °F]
-----------------------------	----------------------------

### Other

EU RoHS Compliance	Compliant
EU ELV Compliance	Compliant

### Operation/Application

Circuit Application	Power
---------------------	-------

### Industry Standards

UL Flammability Rating	UL 94V-0
------------------------	----------

### Packaging Features

Packaging Method	Package
Packaging Quantity	250

### Product Compliance

For compliance documentation, visit the product page on [TE.com](#)>

EU RoHS Directive 2011/65/EU	Compliant
EU ELV Directive 2000/53/EC	Compliant



China RoHS 2 Directive MIIT Order No 32, 2016	No Restricted Materials Above Threshold
EU REACH Regulation (EC) No. 1907/2006	Current ECHA Candidate List: JUNE 2024 (241) Candidate List Declared Against: JUNE 2024 (241) Does not contain REACH SVHC
Halogen Content	BFR/CFR/PVC Free, but Br/Cl >900 ppm in other sources.
Solder Process Capability	Wave solder capable to 265°C

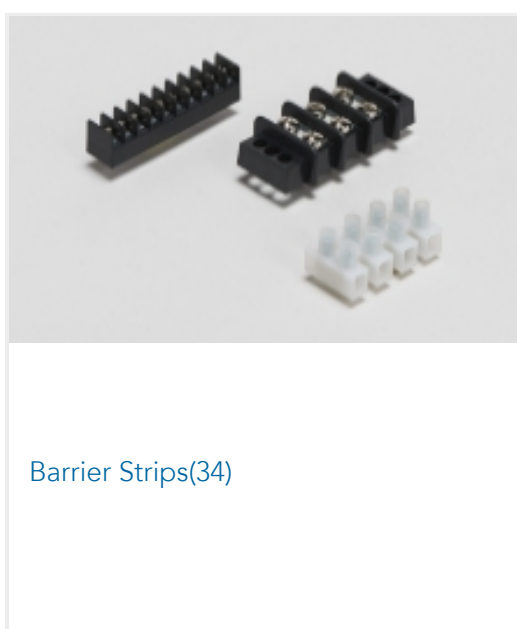
Product Compliance Disclaimer

This information is provided based on reasonable inquiry of our suppliers and represents our current actual knowledge based on the information they provided. This information is subject to change. The part numbers that TE has identified as EU RoHS compliant have a maximum concentration of 0.1% by weight in homogenous materials for lead, hexavalent chromium, mercury, PBB, PBDE, DBP, BBP, DEHP, DIBP, and 0.01% for cadmium, or qualify for an exemption to these limits as defined in the Annexes of Directive 2011/65/EU (RoHS2). Finished electrical and electronic equipment products will be CE marked as required by Directive 2011/65/EU. Components may not be CE marked. Additionally, the part numbers that TE has identified as EU ELV compliant have a maximum concentration of 0.1% by weight in homogenous materials for lead, hexavalent chromium, and mercury, and 0.01% for cadmium, or qualify for an exemption to these limits as defined in the Annexes of Directive 2000/53/EC (ELV). Regarding the REACH Regulation, the information TE provides on SVHC in articles for this part number is based on the latest European Chemicals Agency (ECHA) 'Guidance on requirements for substances in articles' posted at this URL: <https://echa.europa.eu/guidance-documents/guidance-on-reach>

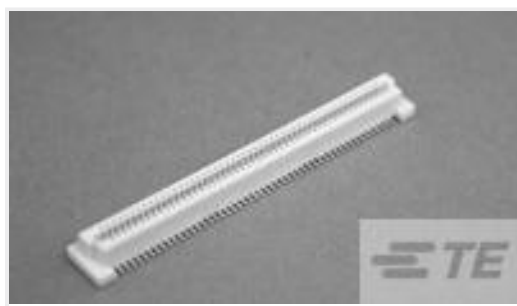
### Compatible Parts



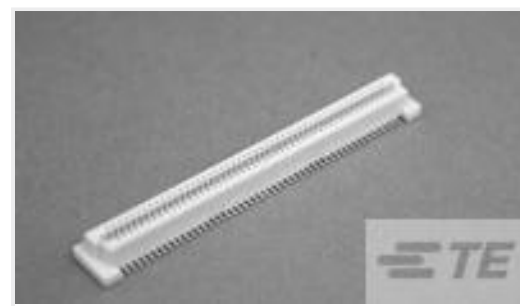
### Also in the Series | Buchanan 3 Series



### Customers Also Bought



TE Part #5177985-4  
0.8FH,R05H.5,100,08/Sn,TR,SC



TE Part #5177985-6  
0.8FH,R05H.5,140,08/Sn,TR,SC



TE Part #5569262-1  
STK MJ ASSY,8POS,2X4,SHLD,CAT5



TE Part #282841-8  
TERMI-BLOK PCB MOUNT 8P. 5



TE Part #5-1393144-5  
K10P-11D15-12=K10/K20



TE Part #7-1393254-7  
W92-X112-30=M6/M7/M9/W6/W7



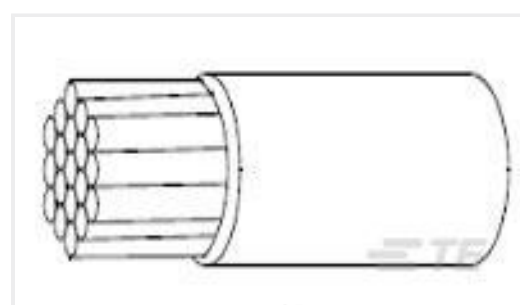
TE Part #2301843-2  
AMPL PLUG HD20, R/A, 9P, B/L,4-40 S /LOCK



TE Part #CONSMA008-G  
SMA Jack 50 Ohm Through Hole PCB /LOCK



TE Part #1393128-7  
PRD-5AY0-240=PRD



TE Part #431174-000  
22759/33-30-2

## Documents

### CAD Files

#### Customer View Model

[ENG\\_CVM\\_CVM\\_5-1437646-0\\_H.2d\\_dxf.zip](#)

English

### 3D PDF

3D

#### Customer View Model

[ENG\\_CVM\\_CVM\\_5-1437646-0\\_H.3d\\_igs.zip](#)

English

#### Customer View Model

[ENG\\_CVM\\_CVM\\_5-1437646-0\\_H.3d\\_stp.zip](#)

English

By downloading the CAD file I accept and agree to the [Terms and Conditions](#) of use.

### Datasheets & Catalog Pages

[1-1773458-2\\_BARRIER\\_STRIPS\\_QUICK\\_REFERENCE\\_GUIDE](#)

English