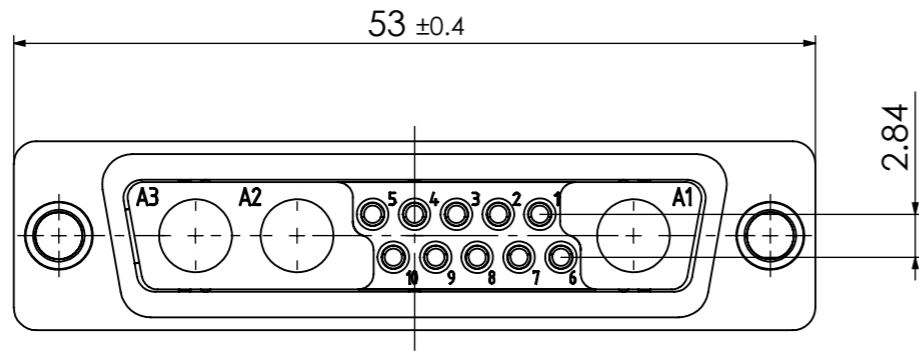
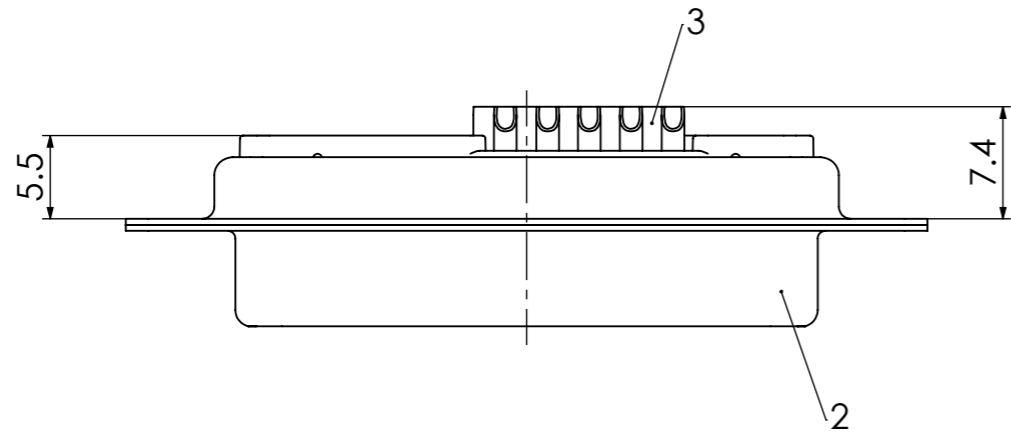
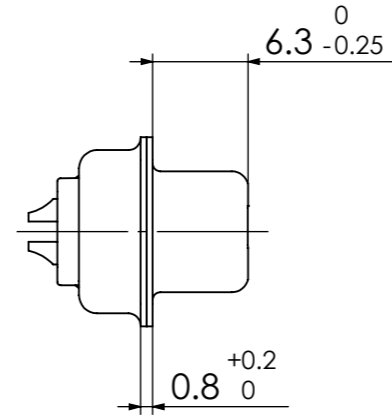
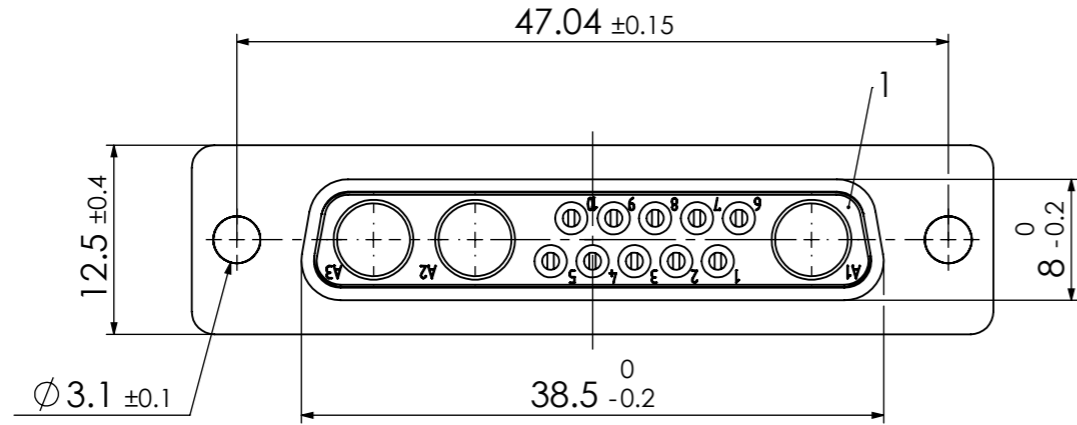


RoHS compliant
by exemption



3	10	Signal contact	SO / Brass	AuroPur / AWG 20
2	1	Shell	Steel	tin plated
1	1	Insulator	PBT (-55°C to +130°C) acc. UL94V-0	green
No.	St.	Part	Type Description/Material	Surface plating/Colour/Class

FUNCTIONAL SYMBOLS ▽ = 0 ▽ = 0 ▽ = 0					THIS DRAWING CONTAINS INFORMATION THAT IS PROPRIETARY TO MOLEX ELECTRONIC TECHNOLOGIES, LLC AND SHOULD NOT BE USED WITHOUT WRITTEN PERMISSION				
DIMENSION UNITS		SCALE		MEASUREMENTS WITHOUT TOLERANCE ACC. TO					
mm		2:1		ISO 2768-m					
REV.		CH.-NO.		CURRENT REVISION		FCT D-Sub Mixed-Layout Connector			
2		24130		DRWN: DRAWN BY msteinbrueck 21-03-2023		PRODUCT CUSTOMER DRAWING			
1				APPR: APPR BY mteubel 22-03-2023		MATERIAL NUMBER			
1				INITIAL REVISION		1727040014			
1				DRWN: DRAWN BY Markus.Jobst 22-07-2010		DOCUMENT NUMBER			
1				APPR: APPR BY birgit.rinder 22-07-2010		FM13W3SA-K121			
REPLACEMENT FOR:		FIRST ANGLE PROJECTION		DRAWING		CUSTOMER		SHEET NUMBER	
				A3-SIZE		GENERAL MARKET		1 OF 1	

COMMENT: ALL RIGHTS ARE RESERVED BY US FOR THIS DRAWING. WITHOUT OUR PRIOR CONSENT, IT MAY NEITHER BE DUPLICATED NOR MADE AVAILABLE TO A THIRD PARTY. AND IT ALSO MAY NOT BE IMPROPERLY USED BY THE RECEIVER, OR A THIRD PARTY.