

776533-3 ✓ ACTIVE

AMP | AMPSEAL 16

TE Internal #: 776533-3

Plug, Wire-to-Wire, 12 Position, 4.5 mm [.177 in] Centerline,
Sealable, Black, Wire & Cable, Cable Mount (Free-Hanging),
AMPSEAL 16

[View on TE.com >](#)



Connectors > Automotive Connectors > Automotive Housings > AMPSEAL 16 Housings



Connector System: **Wire-to-Wire**

Number of Positions: **12**

Connector & Housing Type: **Plug**

Centerline (Pitch): **4.5 mm [.177 in]**

Sealable: **Yes**

[All AMPSEAL 16 Housings \(224\)](#)

Features

Product Type Features

Connector System	Wire-to-Wire
Connector & Housing Type	Plug
Sealable	Yes
Connector & Contact Terminates To	Wire & Cable
Primary Locking Feature	Integrated in Housing
Mixed & Hybrid Connector	No
Connector Shape	Rectangular

Configuration Features

Number of Positions	12
Number of Rows	2

Housing Features

Centerline (Pitch)	4.5 mm [.177 in]
Housing Material	PBT GF

Contact Features

Mating Pin Diameter	1.5 mm [.06 in]
Contact Size	1.5mm



Contact Type	Socket
--------------	--------

Body Features

Primary Product Color	Black
Connector & Keying Code	C
Cable Exit Angle	180°

Mechanical Attachment

Connector Mounting Type	Cable Mount (Free-Hanging)
Strain Relief	Add By Accessory
Terminal Position Assurance	Yes
Mating Alignment Type	Keyed
Mating Alignment	With

Usage Conditions

Operating Temperature (Max)	125 °C[257 °F]
Operating Temperature Range	-40 – 125 °C[-40 – 257 °F]

Other

Connector Position Assurance Capable	Yes
EU RoHS Compliance	Compliant
EU ELV Compliance	Compliant
Serviceable	Yes

Electrical Characteristics

Operating Voltage	250 VDC
-------------------	---------

Dimensions

Row-to-Row Spacing	5.3 mm[.209 in]
Product Width	36.8 mm[1.449 in]
Product Length	38.33 mm[1.509 in]
Connector Height	31.5 mm[1.24 in]

Industry Standards

IP Rating	IP67
UL Flammability Rating	UL 94HB

Packaging Features

Packaging Quantity	14
--------------------	----



Packaging Method

Tube

Product Compliance

For compliance documentation, visit the product page on [TE.com](https://www.te.com)>

EU RoHS Directive 2011/65/EU

Compliant

EU ELV Directive 2000/53/EC

Compliant

China RoHS 2 Directive MIIT Order No 32, 2016

No Restricted Materials Above Threshold

EU REACH Regulation (EC) No. 1907/2006

Current ECHA Candidate List: JUNE 2024 (241)

Candidate List Declared Against: JUNE 2024 (241)

SVHC > Threshold:

Octamethylcyclotetrasiloxane (D4) (.5% in Component Part)

Dodecamethylcyclohexasiloxane (D6) (.5% in Component Part)

Decamethylcyclopentasiloxane (D5) (.5% in Component Part)

Article Safe Usage Statements:

Wash thoroughly after handling. Recycle if possible and dispose of the article by following all applicable governmental regulations relevant to your geographic location.

Halogen Content

BFR/CFR/PVC Free, but Br/Cl >900 ppm in other sources.

Solder Process Capability

Not applicable for solder process capability

Product Compliance Disclaimer

This information is provided based on reasonable inquiry of our suppliers and represents our current actual knowledge based on the information they provided. This information is subject to change. The part numbers that TE has identified as EU RoHS compliant have a maximum concentration of 0.1% by weight in homogenous materials for lead, hexavalent chromium, mercury, PBB, PBDE, DBP, BBP, DEHP, DIBP, and 0.01% for cadmium, or qualify for an exemption to these limits as defined in the Annexes of Directive 2011/65/EU (RoHS2). Finished electrical and electronic equipment products will be CE marked as required by Directive 2011/65/EU. Components may not be CE marked. Additionally, the part numbers that TE has identified as EU ELV compliant have a maximum concentration of 0.1% by weight in homogenous materials for lead, hexavalent chromium, and mercury, and 0.01% for cadmium, or qualify for an exemption to these limits as defined in the Annexes of Directive 2000/53/EC (ELV). Regarding the REACH Regulation, the information TE provides on SVHC in articles for this part number is based on the latest European Chemicals Agency (ECHA) 'Guidance on requirements for substances in articles' posted at this URL: <https://echa.europa.eu/guidance-documents/guidance-on-reach>

Compatible Parts





TE Part # CAT-AM7801-CH8172
AMPSEAL 16 Housings



TE Part # CAT-AM7801-T273
AMPSEAL 16 CONTACTS



TE Part # CAT-AM7801-B128
AMPSEAL 16 Connectors Backshell



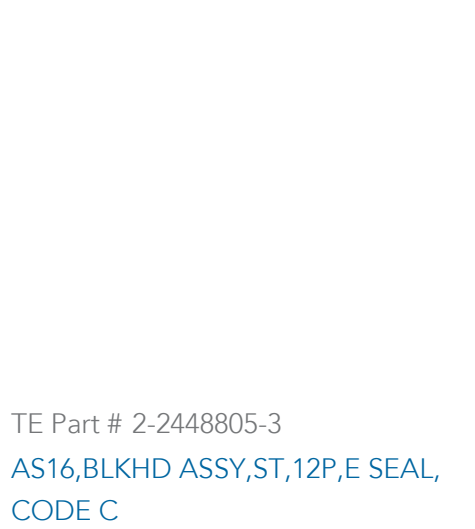
TE Part # CAT-AM7801-T618
Removal Tools — AMPSEAL 16



TE Part # 776364-1
SEALING PLUG, SZ 20 CAVITY




TE Part # 2272179-6
AMPSEAL 16 PERIPHERAL SEAL 12P - SERVICE

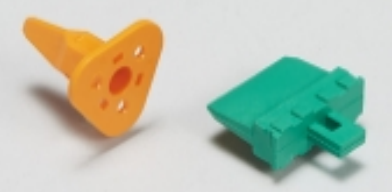


TE Part # 2-2448805-3
AS16, BLKHD ASSY, ST, 12P, E SEAL, CODE C


Also in the Series | AMPSEAL 16



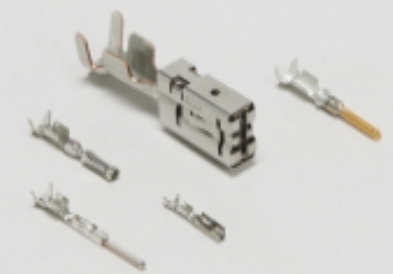
Automotive Connector Caps & Covers (5)




Automotive Connector Locks & Position Assurance (6)




Automotive Housings (239)



Automotive Terminals (35)



Connector Backshells (88)




Connector Seals & Cavity Plugs (10)



Data Connectivity Headers (2)

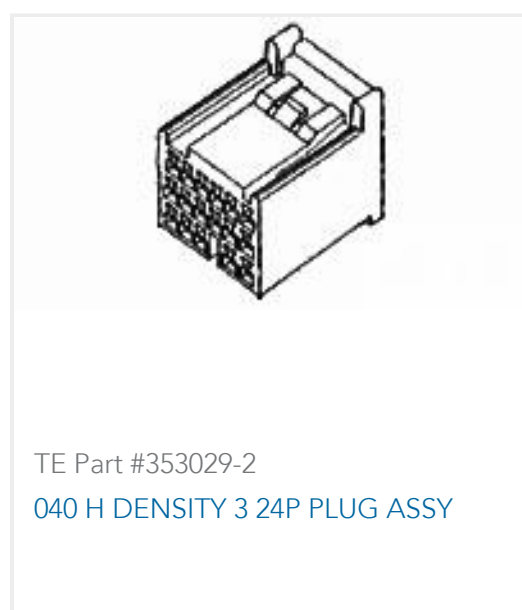
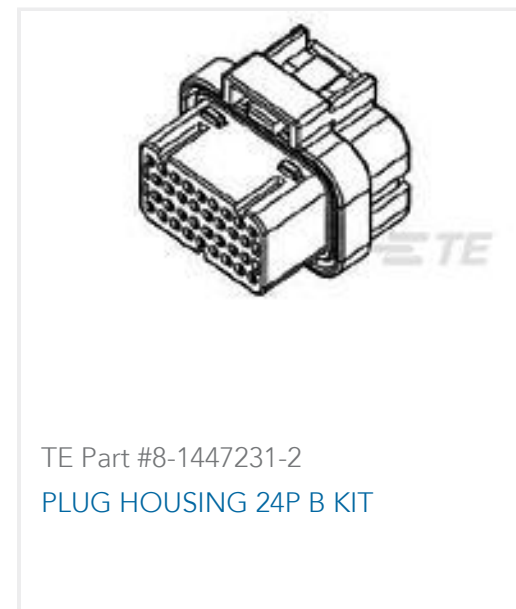
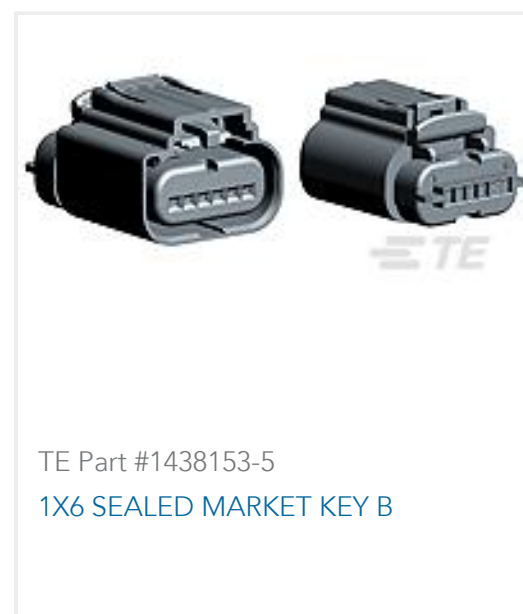


Data Connectivity Housings (3)



Other Automotive Connector Accessories (8)

Customers Also Bought



Documents

Product Drawings

[AS16,PLUG ASSY,ST,12P,E SEAL,CODE C](#)

English

CAD Files

[3D PDF](#)

3D

Customer View Model

[ENG_CVM_CVM_776533-3_E_c-776533-3-e.2d_dxf.zip](#)

English

Customer View Model

[ENG_CVM_CVM_776533-3_E_c-776533-3-e.3d_igs.zip](#)

English

Customer View Model

[ENG_CVM_CVM_776533-3_E_c-776533-3-e.3d_stp.zip](#)

English

By downloading the CAD file I accept and agree to the [Terms and Conditions](#) of use.

Datasheets & Catalog Pages



[ICT Terminals and Connectors Catalogue](#)

English

[CONNECTOR SELECTOR](#)

English

[Product Specifications](#)

[Application Specification](#)

English

[Instruction Sheets](#)

[Instruction Sheet \(U.S.\)](#)

English