



**Buchanan**

TE Internal #: 1546310-2

Dual Barrier, Wire-to-Wire, 2 Position, 14.3 mm [.563 in] Centerline, 2 Row, Operating Voltage 300 V, 22 – 10 AWG Wire Size, Barrier Strips

[View on TE.com >](#)

Connectors > Terminal Blocks & Strips > Barrier Strips



Barrier Strip Style: **Dual Barrier**

Connector System: **Wire-to-Wire**

Number of Positions: **2**

Centerline (Pitch): **14.3 mm [.563 in]**

Number of Rows: **2**

**Features**

**Body Features**

Barrier Strip Style	Dual Barrier
Quick Connect Tab Plating Material	Tin
Primary Product Color	Black
Product Orientation	Vertical

**Product Type Features**

Connector System	Wire-to-Wire
Connector & Contact Terminates To	Wire & Cable
Block Style	Non-Feed Through

**Configuration Features**

Number of Positions	2
Number of Rows	2
Number of Levels	1

**Housing Features**

Centerline (Pitch)	14.3 mm [.563 in]
--------------------	-------------------



Housing Material	PBT
------------------	-----

### Electrical Characteristics

Operating Voltage	300 V
-------------------	-------

### Dimensions

Wire Size	.3 – 6 mm <sup>2</sup>
-----------	------------------------

Product Length	54 mm[2.13 in]
----------------	----------------

### Contact Features

Contact Current Rating (Max)	30 A
------------------------------	------

Contact Base Material	Brass
-----------------------	-------

### Mechanical Attachment

Connector Mounting Type	Panel Mount
-------------------------	-------------

Top Termination Type	Binding Combo Head
----------------------	--------------------

Mounting Options	End Mounting Ears
------------------	-------------------

Screw Plating Material	Nickel
------------------------	--------

Screw Material	Steel
----------------	-------

Thread Size	8-32
-------------	------

Screw Head Type	Combo Phil-Slot
-----------------	-----------------

### Usage Conditions

Operating Temperature Range	-40 – 120 °C[-40 – 248 °F]
-----------------------------	----------------------------

### Other

EU RoHS Compliance	Compliant
--------------------	-----------

EU ELV Compliance	Compliant
-------------------	-----------

### Operation/Application

Circuit Application	Power
---------------------	-------

### Industry Standards

UL Flammability Rating	UL 94V-0
------------------------	----------

### Packaging Features

Packaging Method	Carton
------------------	--------

Packaging Quantity	150
--------------------	-----

### Product Compliance

For compliance documentation, visit the product page on [TE.com](https://www.te.com)>



EU RoHS Directive 2011/65/EU	Compliant
EU ELV Directive 2000/53/EC	Compliant
China RoHS 2 Directive MIIT Order No 32, 2016	No Restricted Materials Above Threshold
EU REACH Regulation (EC) No. 1907/2006	Current ECHA Candidate List: JUNE 2024 (241) Candidate List Declared Against: JUNE 2022 (224) Does not contain REACH SVHC
Halogen Content	Not Low Halogen - contains Br or Cl > 900 ppm.
Solder Process Capability	Wave solder capable to 265°C

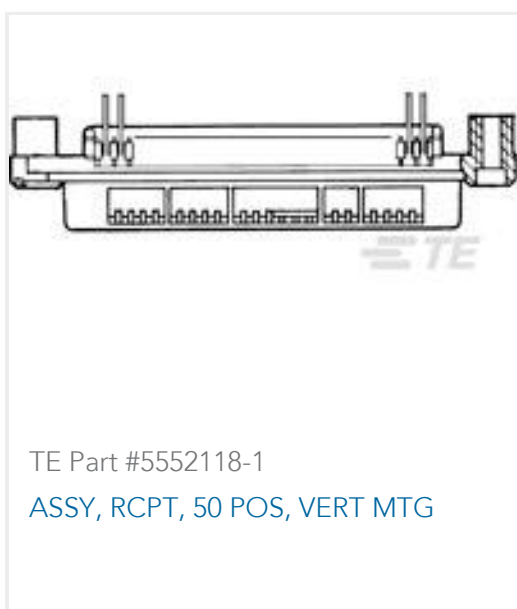
Product Compliance Disclaimer

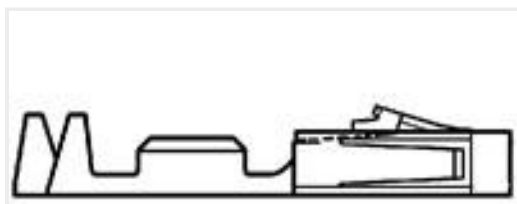
This information is provided based on reasonable inquiry of our suppliers and represents our current actual knowledge based on the information they provided. This information is subject to change. The part numbers that TE has identified as EU RoHS compliant have a maximum concentration of 0.1% by weight in homogenous materials for lead, hexavalent chromium, mercury, PBB, PBDE, DBP, BBP, DEHP, DIBP, and 0.01% for cadmium, or qualify for an exemption to these limits as defined in the Annexes of Directive 2011/65/EU (RoHS2). Finished electrical and electronic equipment products will be CE marked as required by Directive 2011/65/EU. Components may not be CE marked. Additionally, the part numbers that TE has identified as EU ELV compliant have a maximum concentration of 0.1% by weight in homogenous materials for lead, hexavalent chromium, and mercury, and 0.01% for cadmium, or qualify for an exemption to these limits as defined in the Annexes of Directive 2000/53/EC (ELV). Regarding the REACH Regulation, the information TE provides on SVHC in articles for this part number is based on the latest European Chemicals Agency (ECHA) 'Guidance on requirements for substances in articles' posted at this URL: <https://echa.europa.eu/guidance-documents/guidance-on-reach>

### Compatible Parts



### Customers Also Bought

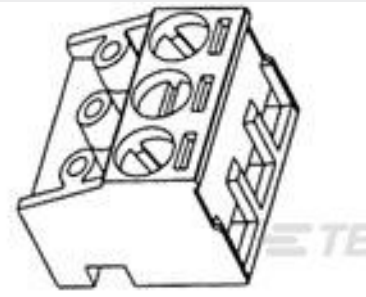




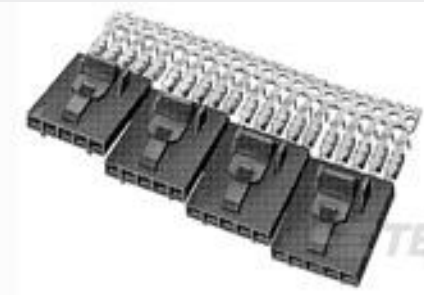
TE Part #104479-8  
SHORT POINT CONT PLTD SN



TE Part #6-160448-2  
FF 250 REC 1.0-2.5MM2 TPPB



TE Part #282830-4  
TERMI-BLOK PLUG 90&180 4P. 5



TE Part #5-103959-4  
4X5 MTE RCPT SR LATCH .100CL



TE Part #84534-8  
1.25MM FFC POST PLATED V 8P



TE Part #1-1546931-0  
10P UNSHROUD 5.0 HDR, HIGH TEMP

## Documents

### CAD Files

#### 3D PDF

3D

#### Customer View Model

[ENG\\_CVM\\_CVM\\_1546310-2\\_Y\\_c-1546310-2-y.2d\\_dxf.zip](#)

English

#### Customer View Model

[ENG\\_CVM\\_CVM\\_1546310-2\\_Y\\_c-1546310-2-y.3d\\_igs.zip](#)

English

#### Customer View Model

[ENG\\_CVM\\_CVM\\_1546310-2\\_Y\\_c-1546310-2-y.3d\\_stp.zip](#)

English

By downloading the CAD file I accept and agree to the [Terms and Conditions](#) of use.

### Datasheets & Catalog Pages

[BUCHANAN TERMINAL BLOCKS CATALOG - BARRIER STRIPS](#)

English

[1-1773458-2\\_BARRIER\\_STRIPS\\_QUICK\\_REFERENCE\\_GUIDE](#)

English