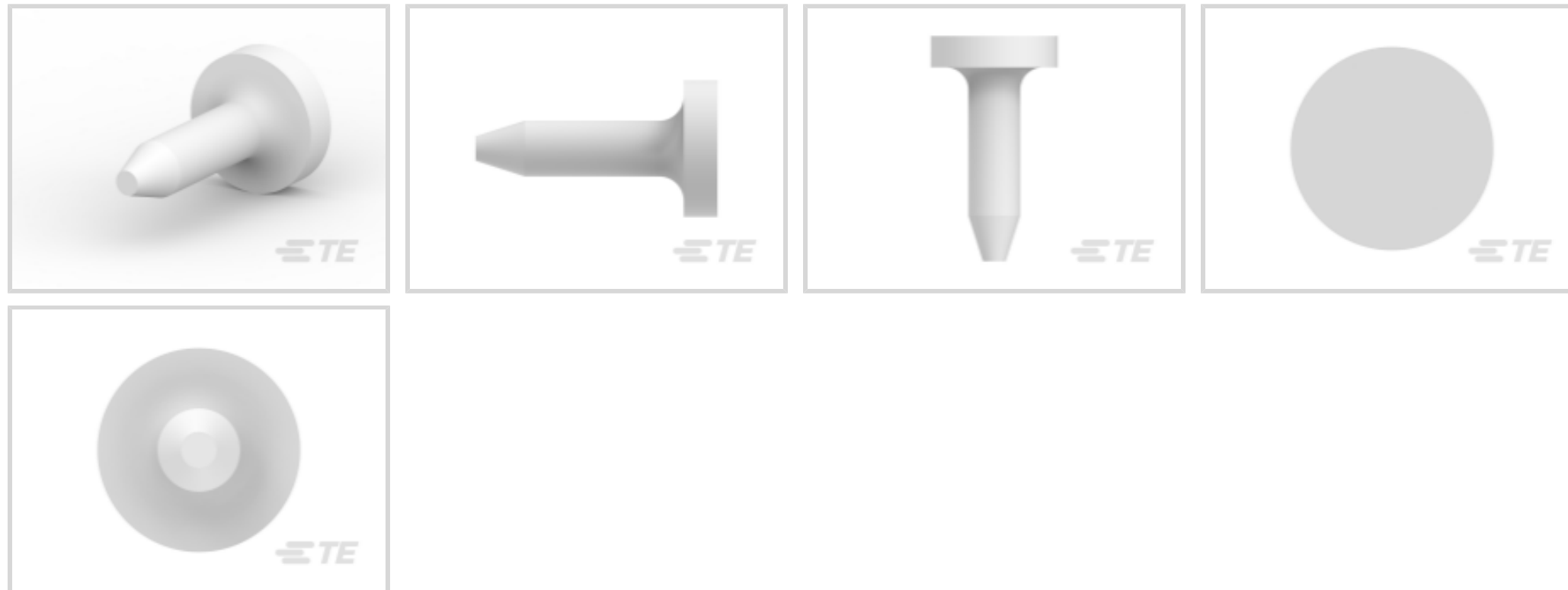




Connectors > Connector Accessories > Connector Hardware



Hardware Accessory Function: **Coding & Keying**

Connector Hardware Accessory Type: **Keying Plug**

EU RoHS Compliance: **Compliant**

EU ELV Compliance: **Compliant**

## Features

### Product Type Features

Hardware Accessory Function	Coding & Keying
Connector Hardware Accessory Type	Keying Plug

### Other

EU RoHS Compliance	Compliant
EU ELV Compliance	Compliant

### Packaging Features

Packaging Method	Bulk
------------------	------

## Product Compliance

[For compliance documentation, visit the product page on TE.com>](#)

EU RoHS Directive 2011/65/EU	Compliant
EU ELV Directive 2000/53/EC	Compliant
China RoHS 2 Directive MIIT Order No 32, 2016	No Restricted Materials Above Threshold
EU REACH Regulation (EC) No. 1907/2006	Current ECHA Candidate List: JUNE 2024 (241) Candidate List Declared Against: JUNE 2022 (224)

Does not contain REACH SVHC

Halogen Content

Low Bromine/Chlorine - Br and Cl < 900 ppm per homogenous material. Also BFR /CFR/PVC Free

Solder Process Capability

Not applicable for solder process capability

Product Compliance Disclaimer

This information is provided based on reasonable inquiry of our suppliers and represents our current actual knowledge based on the information they provided. This information is subject to change. The part numbers that TE has identified as EU RoHS compliant have a maximum concentration of 0.1% by weight in homogenous materials for lead, hexavalent chromium, mercury, PBB, PBDE, DBP, BBP, DEHP, DIBP, and 0.01% for cadmium, or qualify for an exemption to these limits as defined in the Annexes of Directive 2011/65/EU (RoHS2). Finished electrical and electronic equipment products will be CE marked as required by Directive 2011/65/EU. Components may not be CE marked. Additionally, the part numbers that TE has identified as EU ELV compliant have a maximum concentration of 0.1% by weight in homogenous materials for lead, hexavalent chromium, and mercury, and 0.01% for cadmium, or qualify for an exemption to these limits as defined in the Annexes of Directive 2000/53/EC (ELV). Regarding the REACH Regulation, the information TE provides on SVHC in articles for this part number is based on the latest European Chemicals Agency (ECHA) 'Guidance on requirements for substances in articles' posted at this URL: <https://echa.europa.eu/guidance-documents/guidance-on-reach>

## Compatible Parts



TE Part # CAT-023-DRARS4277  
D-Sub Receptacle Assembly: Right Angle, Shell Size 4, 2.77mm




TE Part # CAT-035-DCRSS205  
D-Sub Crimp Recept Signal 50 Posn, Socket Size 20, Shell Size 5



TE Part # CAT-025-DRAVS1274  
D-Sub Receptacle Assembly: Vertical, Shell Size 1, 2.74mm



TE Part # CAT-035-DCRSS204  
D-Sub Crimp Recept Signal 37 Posn, Socket Size 20, Shell Size 4



TE Part # CAT-023-DRARS3277  
D-Sub Receptacle Assembly: Right Angle, Shell Size 3, 2.77mm



TE Part # CAT-025-DRAVS2274  
D-Sub Receptacle Assembly: Vertical, Shell Size 2, 2.74mm



TE Part # CAT-025-DRAVS3277  
D-Sub Receptacle Assembly: Vertical, Shell Size 3, 2.77mm



TE Part # CAT-035-DCRSS203  
D-Sub Crimp Recept Signal 25 Posn, Socket Size 20, Shell Size 3



TE Part # CAT-AM7-248H5  
IDC D-Sub: Receptacle Assembly, Wire to Wire, Signal, 2.77 mm



TE Part # CAT-023-DRARS2274  
D-Sub Receptacle Assembly: Right Angle, Shell Size 2, 2.74mm



TE Part # CAT-023-DRARS1274  
D-Sub Receptacle Assembly: Right Angle, Shell Size 1, 2.74mm



TE Part # CAT-035-DCRSS202  
D-Sub Crimp Recept Signal 15 Posn, Socket Size 20, Shell Size 2



TE Part # CAT-025-DRAVS4277  
D-Sub Receptacle Assembly: Vertical,  
Shell Size 4, 2.77mm



TE Part # CAT-AM7-248H8  
IDC D-Sub: Receptacle Assembly,  
Wire to Wire, Signal, 2.74 mm



TE Part # CAT-025-DRAVS5277  
D-Sub Receptacle Assembly: Vertical,  
Shell Size 5, 2.77mm



TE Part # CAT-035-DCRSS201  
D-Sub Crimp Recept Signal 9 Posn,  
Socket Size 20, Shell Size 1



TE Part # 206039-1  
CPC PLUG ASSEMBLY SIZE 17-28



TE Part # 5747193-1  
50 RCPT RA/MS STD (SL)



TE Part # 206437-1  
CPC PLUG ASSEMBLY SIZE 23-57

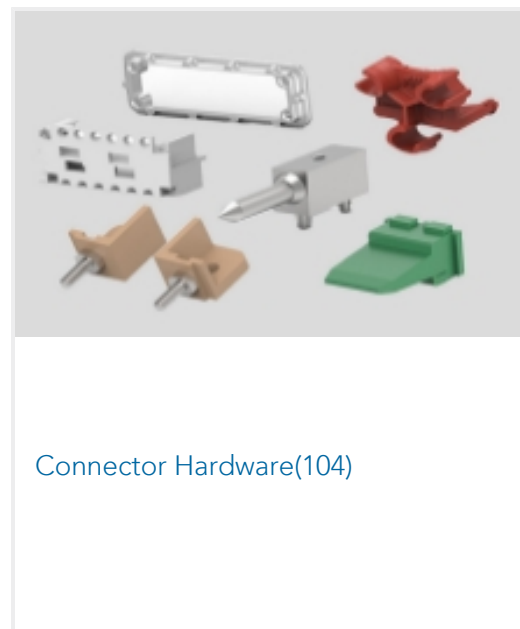


TE Part # 206485-1  
CPC PLUG ASSEMBLY SIZE 11-9

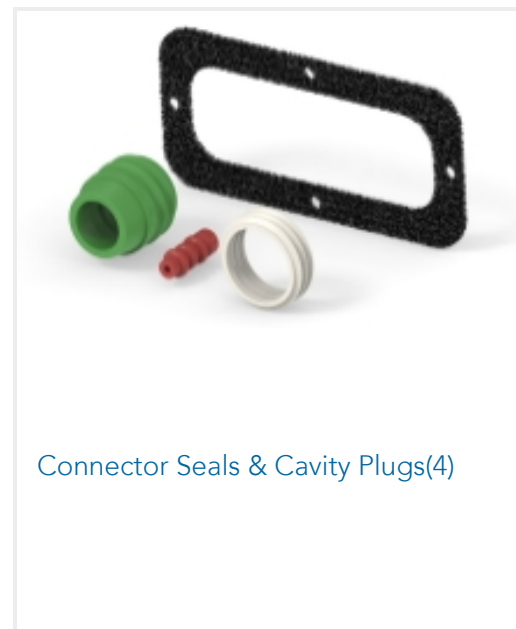
Also in the Series | **AMPLIMITE Kit**



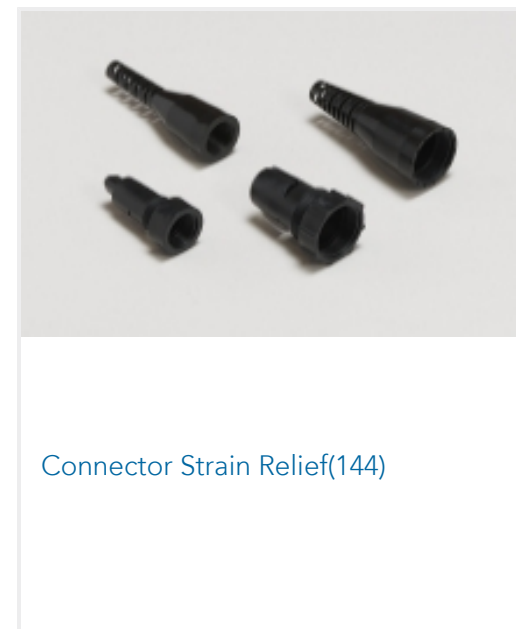
Connector Caps & Covers(3)



Connector Hardware(104)

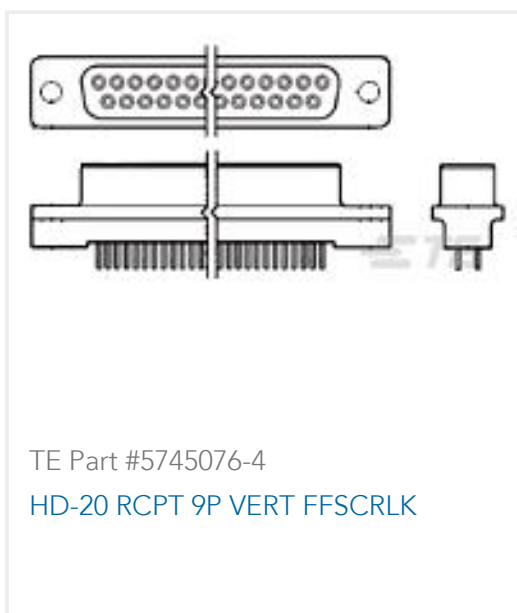


Connector Seals & Cavity Plugs(4)

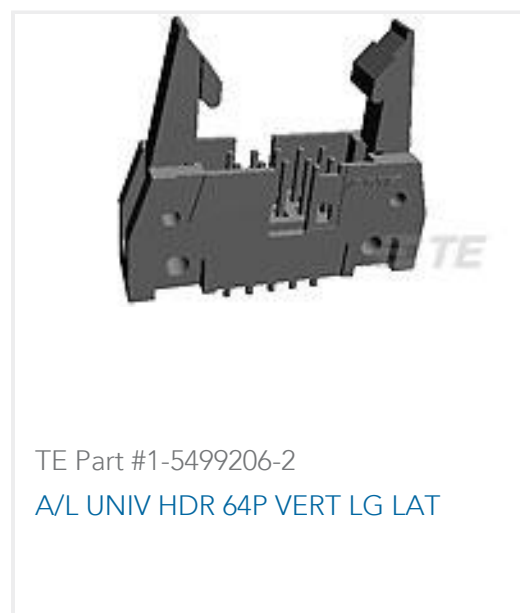


Connector Strain Relief(144)

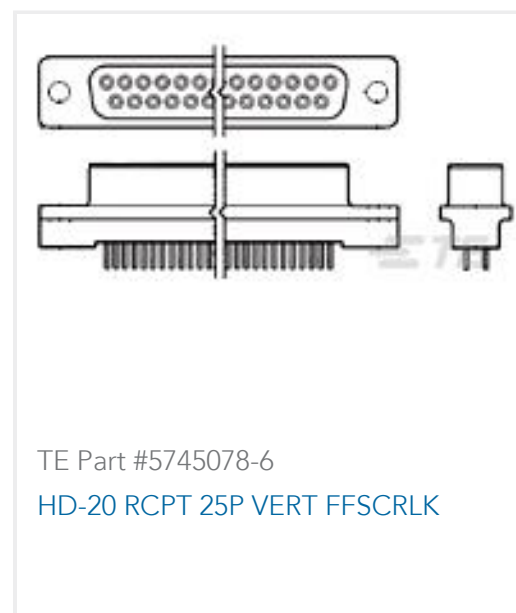
Customers Also Bought



TE Part #5745076-4  
HD-20 RCPT 9P VERT FFSCRLK



TE Part #1-5499206-2  
A/L UNIV HDR 64P VERT LG LAT



TE Part #5745078-6  
HD-20 RCPT 25P VERT FFSCRLK



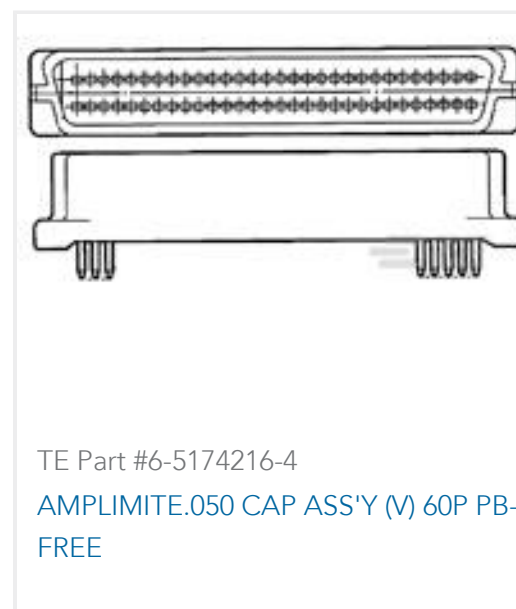
TE Part #9-1393243-7  
RT444012



TE Part #4-1614881-7  
CPF 0603 30R 0.1% 25PPM 5K RL



TE Part #1623934-8  
ZEROHM 0207 STEEL



TE Part #6-5174216-4  
AMPLIMITE.050 CAP ASS'Y (V) 60P PB-FREE



TE Part #2311772-1  
AMPL REC, HD22, R/A, 78P,  
THREADED



## Documents

### Product Drawings

#### SIZE 20 KEYING PLUG

English

---

### CAD Files

#### 3D PDF

3D

#### Customer View Model

[ENG\\_CVM\\_CVM\\_206509-1\\_K.2d\\_dxf.zip](#)

English

#### Customer View Model

[ENG\\_CVM\\_CVM\\_206509-1\\_K.3d\\_igs.zip](#)

English

#### Customer View Model

[ENG\\_CVM\\_CVM\\_206509-1\\_K.3d\\_stp.zip](#)

English

By downloading the CAD file I accept and agree to the [Terms and Conditions](#) of use.

---

### Datasheets & Catalog Pages

#### AMPLIMITE Subminiature D Connectors - Cable Connectors

English

---

### Instruction Sheets

#### Instruction Sheet (U.S.)

English