

66261-2 ✓ ACTIVE

AMP

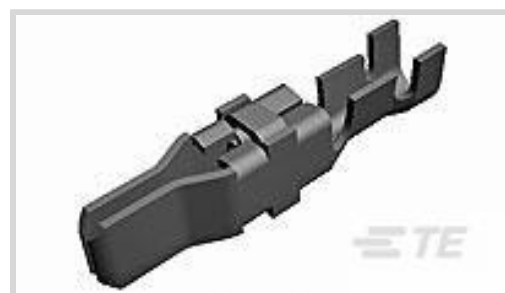
TE Internal #: 66261-2

Tab Contact, Gold, 14 – 12 AWG / 16 AWG Wire Size, 1.25 – 1.4 mm<sup>2</sup> / 2 – 3 mm<sup>2</sup> Wire Size, Crimp, Copper, Power, -40 – 85 °C [-40 – 185 °F]

[View on TE.com >](#)



Connectors > Contacts > Connector Contacts



Contact Type: **Tab**

Contact Mating Area Plating Material: **Gold**

Wire Contact Termination Area Plating Material: **Gold Flash**

Wire Size: **2 – 3 mm<sup>2</sup>, 1.25 – 1.4 mm<sup>2</sup>**

### Features

#### Mechanical Attachment

Wire Insulation Support	With
-------------------------	------

#### Packaging Features

Packaging Quantity	100
Packaging Method	Bag

#### Dimensions

Compatible Insulation Diameter Range	3.43 – 4.06 mm [.135 – .16 in]
Wire Size	2 – 3 mm <sup>2</sup> , 1.25 – 1.4 mm <sup>2</sup>

#### Contact Features

Contact Underplating Material	Copper
Contact Orientation	Right Angle
Contact Mating Area Plating Material Thickness	.76 μm [30 μin]
Wire Contact Termination Area Plating Material Finish	Bright
Mating Tab Width	5.84 mm [.23 in]
Mating Tab Thickness	2.67 mm [.105 in]
Wire Contact Termination Area Plating Thickness	.76 μm [30 μin]
Contact Type	Tab
Contact Mating Area Plating Material	Gold
Wire Contact Termination Area Plating Material	Gold Flash
Contact Base Material	Copper

Contact Current Rating (Max)	35 A
------------------------------	------

### Termination Features

Termination Method to Wire & Cable	Crimp
Product Terminates To	Wire & Cable

### Usage Conditions

Operating Temperature Range	-40 – 85 °C [-40 – 185 °F]
-----------------------------	----------------------------

### Operation/Application

Circuit Application	Power
---------------------	-------

### Other

EU RoHS Compliance	Compliant
EU ELV Compliance	Compliant

### Product Compliance

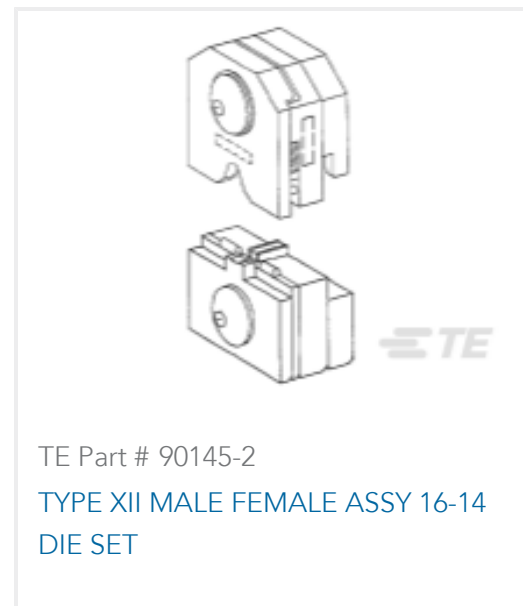
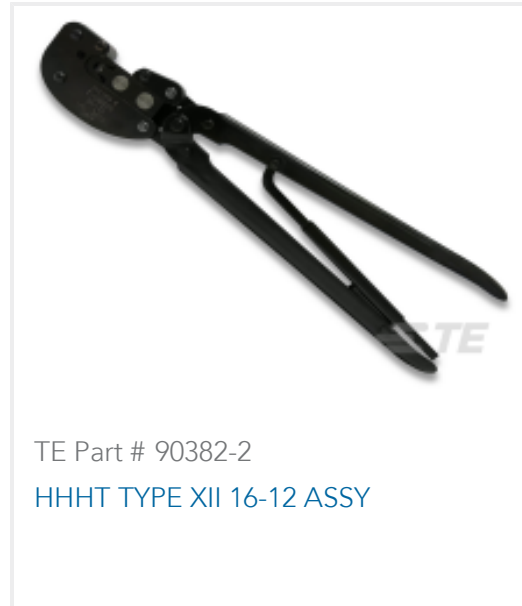
[For compliance documentation, visit the product page on TE.com>](#)

EU RoHS Directive 2011/65/EU	Compliant
EU ELV Directive 2000/53/EC	Compliant
China RoHS 2 Directive MIIT Order No 32, 2016	No Restricted Materials Above Threshold
EU REACH Regulation (EC) No. 1907/2006	Current ECHA Candidate List: JUNE 2024 (241) Candidate List Declared Against: JUNE 2024 (241) Does not contain REACH SVHC
Halogen Content	BFR/CFR/PVC Free, but Br/Cl >900 ppm in other sources.
Solder Process Capability	Not applicable for solder process capability

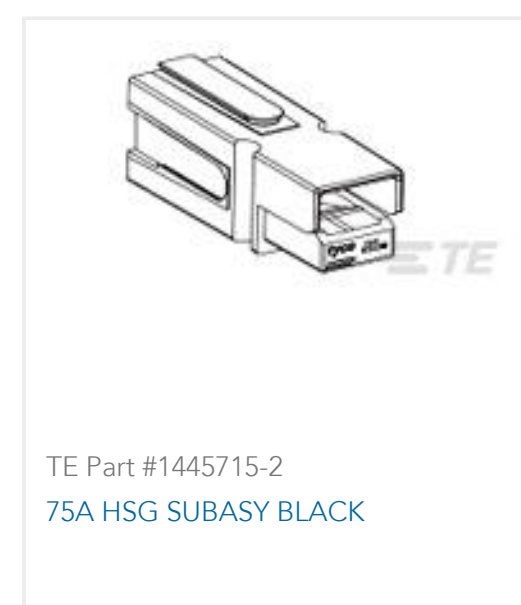
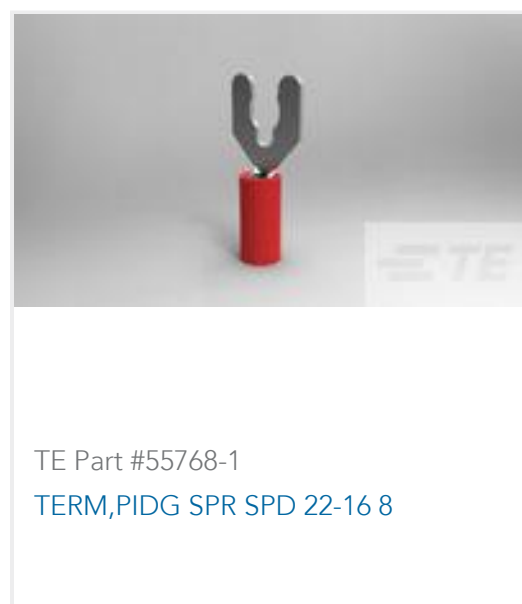
#### Product Compliance Disclaimer

This information is provided based on reasonable inquiry of our suppliers and represents our current actual knowledge based on the information they provided. This information is subject to change. The part numbers that TE has identified as EU RoHS compliant have a maximum concentration of 0.1% by weight in homogenous materials for lead, hexavalent chromium, mercury, PBB, PBDE, DBP, BBP, DEHP, DIBP, and 0.01% for cadmium, or qualify for an exemption to these limits as defined in the Annexes of Directive 2011/65/EU (RoHS2). Finished electrical and electronic equipment products will be CE marked as required by Directive 2011/65/EU. Components may not be CE marked. Additionally, the part numbers that TE has identified as EU ELV compliant have a maximum concentration of 0.1% by weight in homogenous materials for lead, hexavalent chromium, and mercury, and 0.01% for cadmium, or qualify for an exemption to these limits as defined in the Annexes of Directive 2000/53/EC (ELV). Regarding the REACH Regulation, the information TE provides on SVHC in articles for this part number is based on the latest European Chemicals Agency (ECHA) 'Guidance on requirements for substances in articles' posted at this URL: <https://echa.europa.eu/guidance-documents/guidance-on-reach>

## Compatible Parts



## Customers Also Bought





## Documents

### Product Drawings

#### MALE CONTACT ASSY. (L.P.)

English

### CAD Files

#### Customer View Model

[ENG\\_CVM\\_66261-2\\_Y.3d\\_igs.zip](#)

English

#### Customer View Model

[ENG\\_CVM\\_66261-2\\_Y.3d\\_stp.zip](#)

English

#### Customer View Model

[ENG\\_CVM\\_66261-2\\_Y.2d\\_dxf.zip](#)

English

### 3D PDF

English

By downloading the CAD file I accept and agree to the [Terms and Conditions](#) of use.

### Datasheets & Catalog Pages

#### AMP Circular Connectors for Commercial Signal & Power Applications

English

### Power Contacts

English

#### M\_SERIES\_PIN\_AND\_SOCKET\_CONNECTORS

English

### Product Specifications

#### Application Specification

English

### Instruction Sheets

#### Instruction Sheet (U.S.)

English

#### Instruction Sheet (U.S.)

English



## Agency Approvals

UL

English