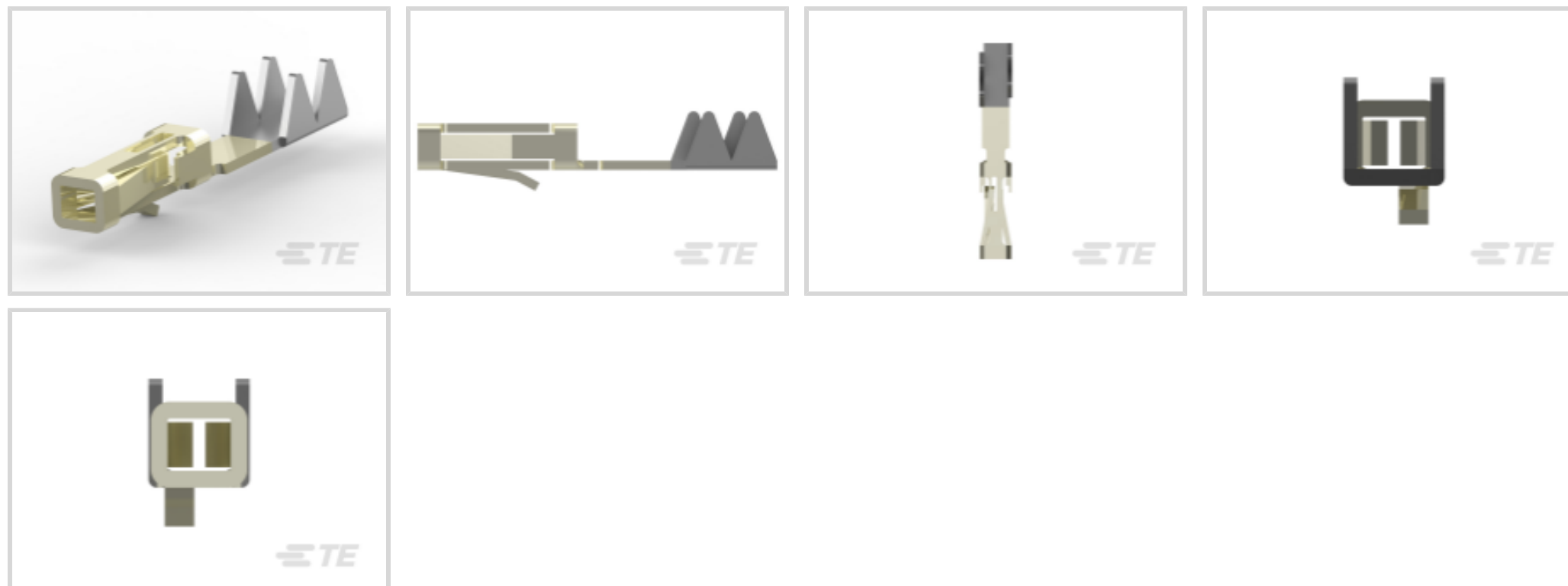




Connectors > Contacts > Connector Contacts > 2.54mm FFC Connectors Socket Contacts



Contact Type: **Socket**

Contact Mating Area Plating Material: **Tin-Lead**

Compatible With Wire & Cable Type: **FFC**

Termination Method to Wire & Cable: **Insulation Displacement (IDC)**

Contact Base Material: **Phosphor Bronze**

[All 2.54mm FFC Connectors Socket Contacts \(34\)](#)

## Features

### Dimensions

Accepts Conductor Width	1.27 mm[.05 in]
-------------------------	-----------------

### Packaging Features

Packaging Method	Reel
------------------	------

### Contact Features

Contact Underplating Material	Nickel
PCB Contact Termination Area Plating Material	Tin-Lead
	50 µin
Contact Type	Socket
Contact Mating Area Plating Material	Tin-Lead
Contact Base Material	Phosphor Bronze
Contact Current Rating (Max)	2 A

### Configuration Features

Compatible With Wire & Cable Type	FFC
-----------------------------------	-----



### Termination Features

Termination Method to Wire & Cable	Insulation Displacement (IDC)
Product Terminates To	Wire & Cable

### Usage Conditions

Operating Temperature Range	-65 – 105 °C[-85 – 221 °F]
-----------------------------	----------------------------

### Operation/Application

Circuit Application	Signal
---------------------	--------

### Product Compliance

[For compliance documentation, visit the product page on TE.com>](#)

EU RoHS Directive 2011/65/EU	Not Compliant
EU ELV Directive 2000/53/EC	Compliant with Exemptions
China RoHS 2 Directive MIIT Order No 32, 2016	Restricted Materials Above Threshold
EU REACH Regulation (EC) No. 1907/2006	Current ECHA Candidate List: JUNE 2024 (241) Candidate List Declared Against: JUNE 2024 (241) SVHC > Threshold: Pb (13% in Component Part) <b>Article Safe Usage Statements:</b> Do not eat, drink or smoke when using this product. Wash thoroughly after handling. Recycle if possible and dispose of the article by following all applicable governmental regulations relevant to your geographic location.
Halogen Content	Low Halogen - Br, Cl, F, I < 900 ppm per homogenous material. Also BFR/CFR/PVC Free
Solder Process Capability	Not applicable for solder process capability

#### Product Compliance Disclaimer

This information is provided based on reasonable inquiry of our suppliers and represents our current actual knowledge based on the information they provided. This information is subject to change. The part numbers that TE has identified as EU RoHS compliant have a maximum concentration of 0.1% by weight in homogenous materials for lead, hexavalent chromium, mercury, PBB, PBDE, DBP, BBP, DEHP, DIBP, and 0.01% for cadmium, or qualify for an exemption to these limits as defined in the Annexes of Directive 2011/65/EU (RoHS2). Finished electrical and electronic equipment products will be CE marked as required by Directive 2011/65/EU. Components may not be CE marked. Additionally, the part numbers that TE has identified as EU ELV compliant have a maximum concentration of 0.1% by weight in homogenous materials for lead, hexavalent chromium, and mercury, and 0.01% for cadmium, or qualify for an exemption to these limits as defined in the Annexes of Directive 2000/53/EC (ELV). Regarding the REACH Regulation, the information TE provides on SVHC in articles for this part number is based on the latest European Chemicals Agency (ECHA) 'Guidance on requirements for substances in articles' posted at this URL: <https://echa.europa.eu/guidance-documents/guidance-on-reach>

### Compatible Parts



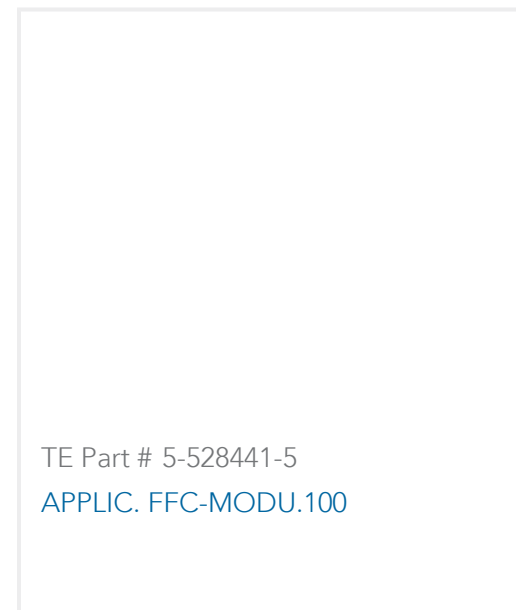
TE Part # CAT-F439-R2435254  
2.54mm FFC Connectors Receptacle  
Housing



TE Part # 1-487526-8  
019 HOUSING FFC RCPT 100CL SR



TE Part # 1-528013-1  
FFC PISTOL GRIP HAND TOOL CASE



TE Part # 5-528441-5  
APPLIC. FFC-MODU.100

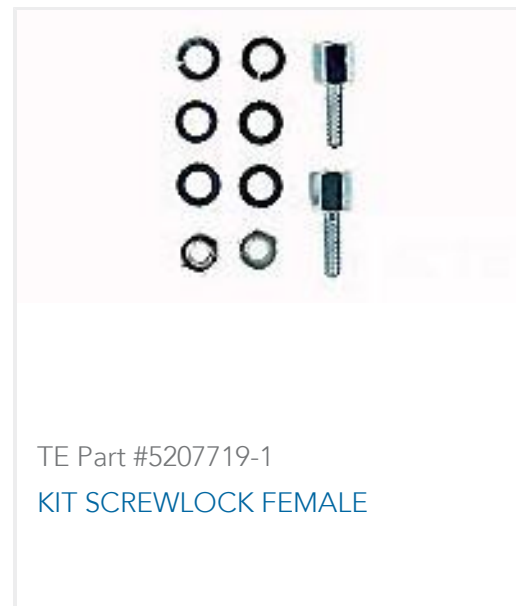
## Customers Also Bought



TE Part #487223-1  
010 HOUSING FFC RCPT 100CL DR



TE Part #5-747904-5  
9 Plug Solder Cup, 30 gold, Ro



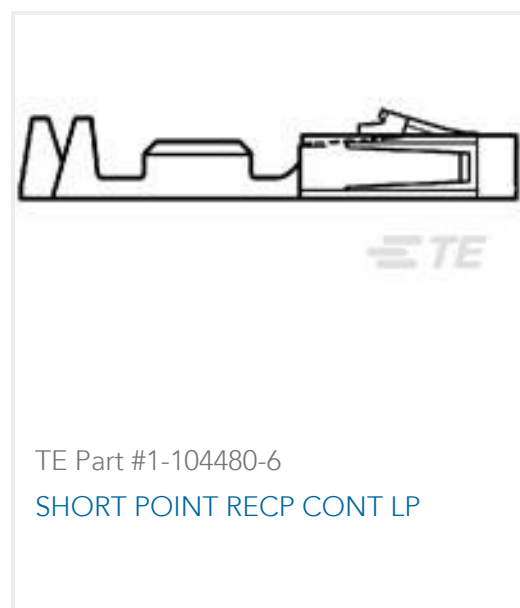
TE Part #5207719-1  
KIT SCREWLOCK FEMALE



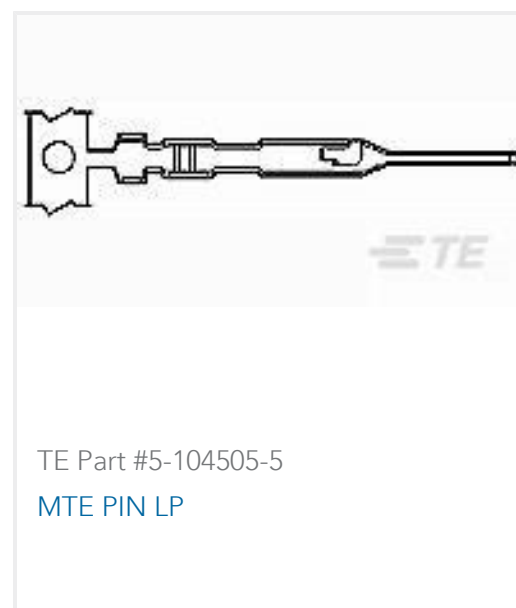
TE Part #102387-3  
16 MODIV HSG COMP DR .100 POL



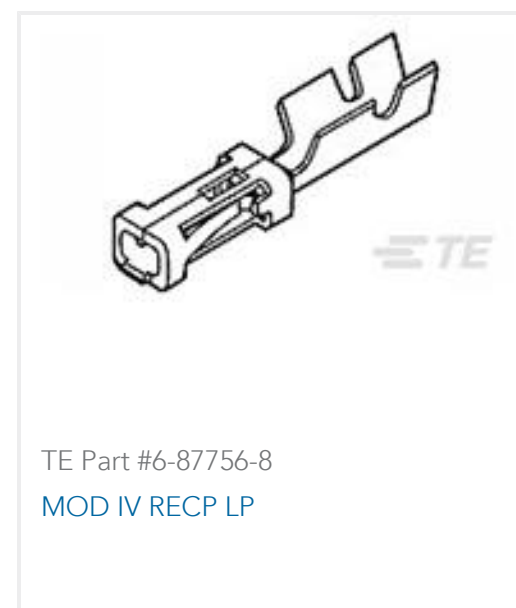
TE Part #2-520194-2  
ULTRAFAST 187 ASSY REC 22-18  
TPBR LP



TE Part #1-104480-6  
SHORT POINT RECP CONT LP



TE Part #5-104505-5  
MTE PIN LP



TE Part #6-87756-8  
MOD IV RECP LP



TE Part #102387-1  
10 MODIV HSG COMP DR .100 POL



TE Part #1776293-6  
TSB23006DS=EUROPA TERM BLK,  
8MM

## Documents

### Product Drawings

[FFC RCPT CONT SP 50AU RL](#)

English

### CAD Files

[Customer View Model](#)

[ENG\\_CVM\\_CVM\\_487406-3\\_AV.2d\\_dxf.zip](#)

English

[3D PDF](#)



3D

Customer View Model

[ENG\\_CVM\\_CVM\\_487406-3\\_AV.3d\\_igs.zip](#)

English

Customer View Model

[ENG\\_CVM\\_CVM\\_487406-3\\_AV.3d\\_stp.zip](#)

English

By downloading the CAD file I accept and agree to the [Terms and Conditions](#) of use.

---

## Product Specifications

[Application Specification](#)

English

---

## Instruction Sheets

[Instruction Sheet \(U.S.\)](#)

English

[Extraction Tools](#)

English