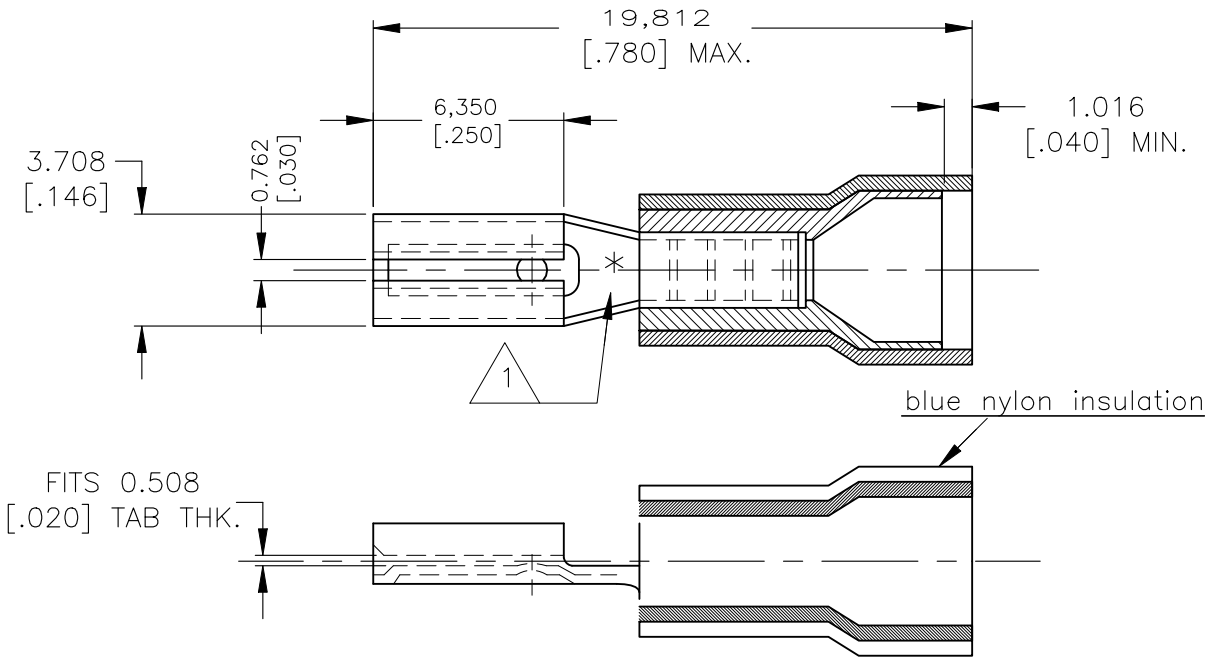


REVISIONS					
P	LTR	DESCRIPTION	DATE	DWN	APVD
	F1	REVISED PER ECR-22-154249	21FEB2023	LP	DSC



- △ 1 ASTERISK * FOR PH.BRONZE VERSION ONLY
- * * FOR WIRES 1,0 UP TO 1,5 mm² ,CONTACT AMP
- 2 WIRE RANGE: 1,5-2,5mm². INSUL. RANGE: 4,3mm MAX. DIA..

TE Connectivity. All Rights Reserved.

	TAPEMOUNTED	165616-7	2-165616-7
	TAPEMOUNTED	165616-6	2-165616-6
OBSOLETE	TAPEMOUNTED	165616-5	2-165616-5
	TAPEMOUNTED	165616-4	2-165616-4
	TAPEMOUNTED	165616-3	2-165616-3
OBSOLETE	TAPEMOUNTED	165616-2	2-165616-2
PRELIMINARY	GOLD	PH. BRONZE	165616-7
PRELIMINARY	SILVER	PH. BRONZE	165616-6
	TIN	PH. BRONZE	165616-5
PRELIMINARY	GOLD	BRASS	165616-4
PRELIMINARY	SILVER	BRASS	165616-3
OBSOLETE	TIN	BRASS	165616-2
	FINISH	MATERIAL	PARTNUMBER

DIMENSIONS: mm [INCHES]	DWN	16-09-86	MATERIAL	-	FINISH	-	
	F.COOLS	-	TE Connectivity				
TOLERANCES UNLESS OTHERWISE SPECIFIED:	CHK	-					NAME .110 SERIES PIDG FASTON RECEPTACLE
	APVD	-					
0 PLC ± - 1 PLC ± - 2 PLC ± - 3 PLC ± - 4 PLC ± - ANGLES ± -	PRODUCT SPEC	-	SIZE	A4	CAGE CODE	00779	
	APPLICATION SPEC	-	DRAWING NO	C-165616		RESTRICTED TO	-
	WEIGHT	-	CUSTOMER DRAWING		SCALE	-	
				SHEET	1 OF 1	REV	F1