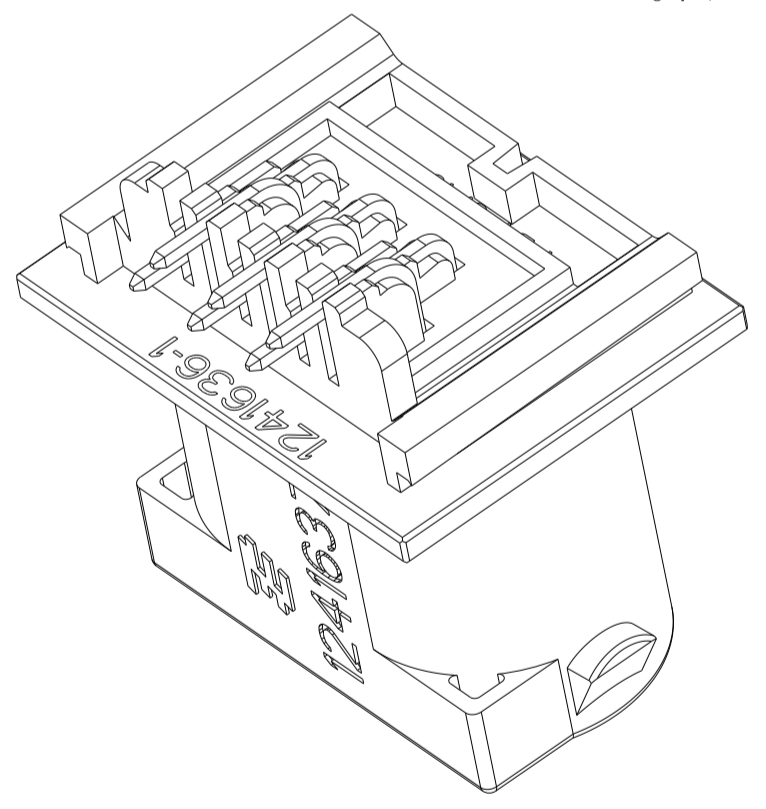
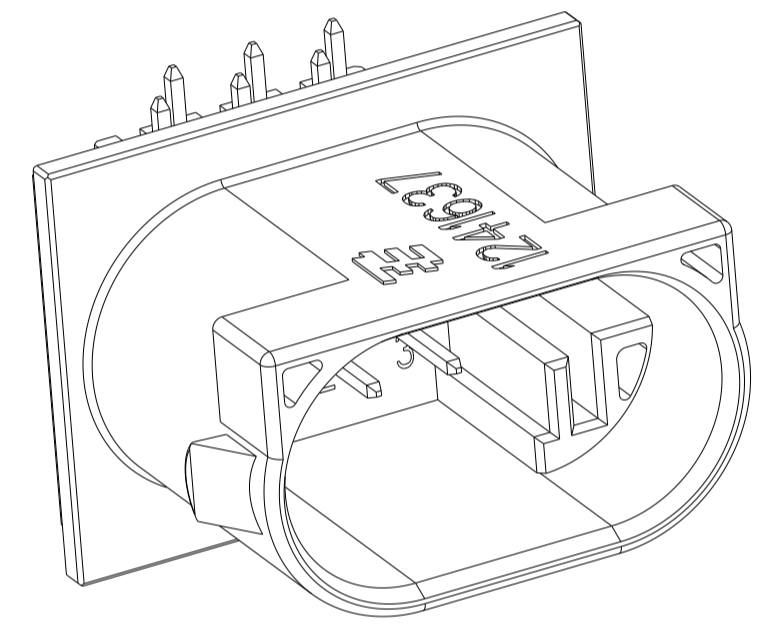
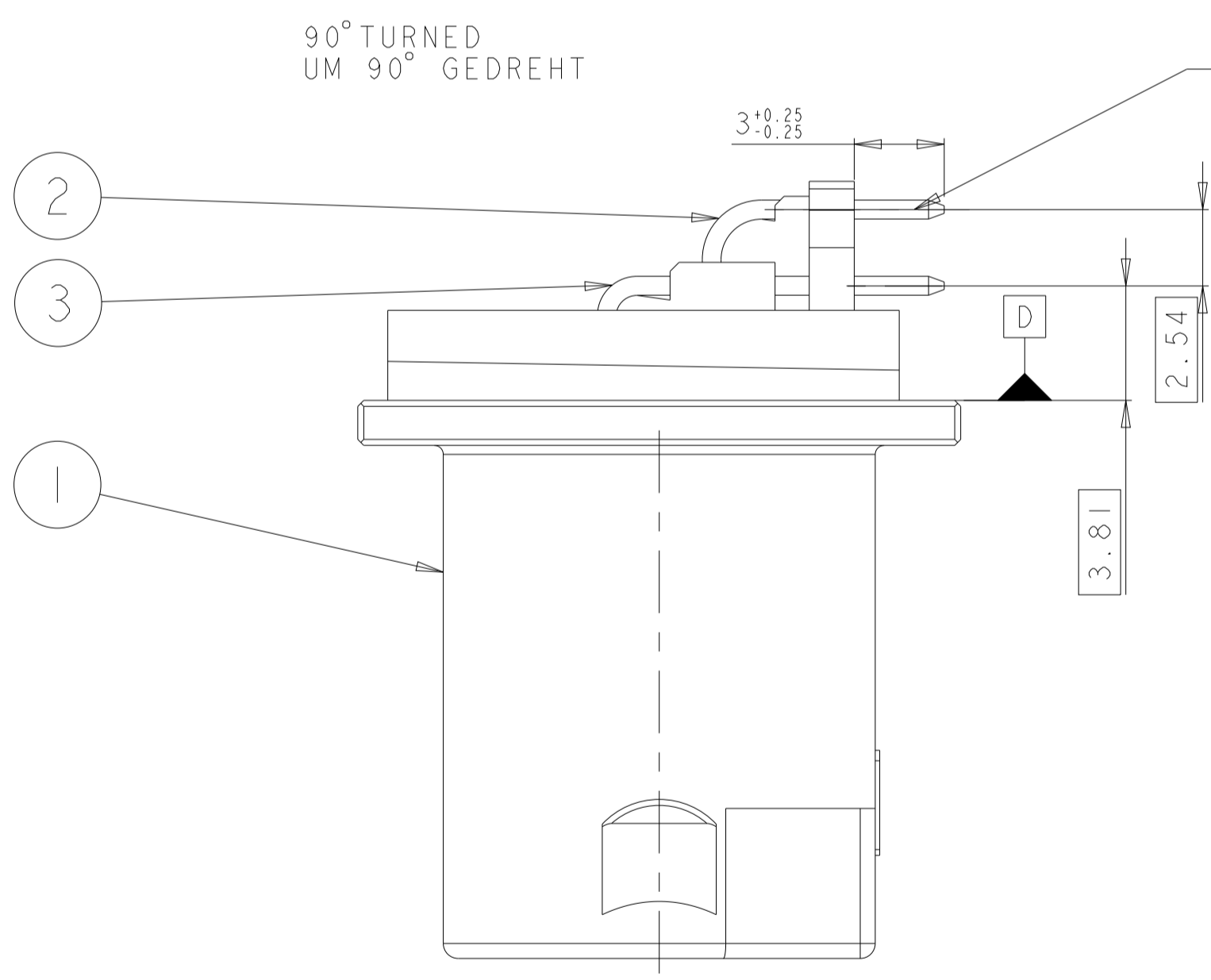
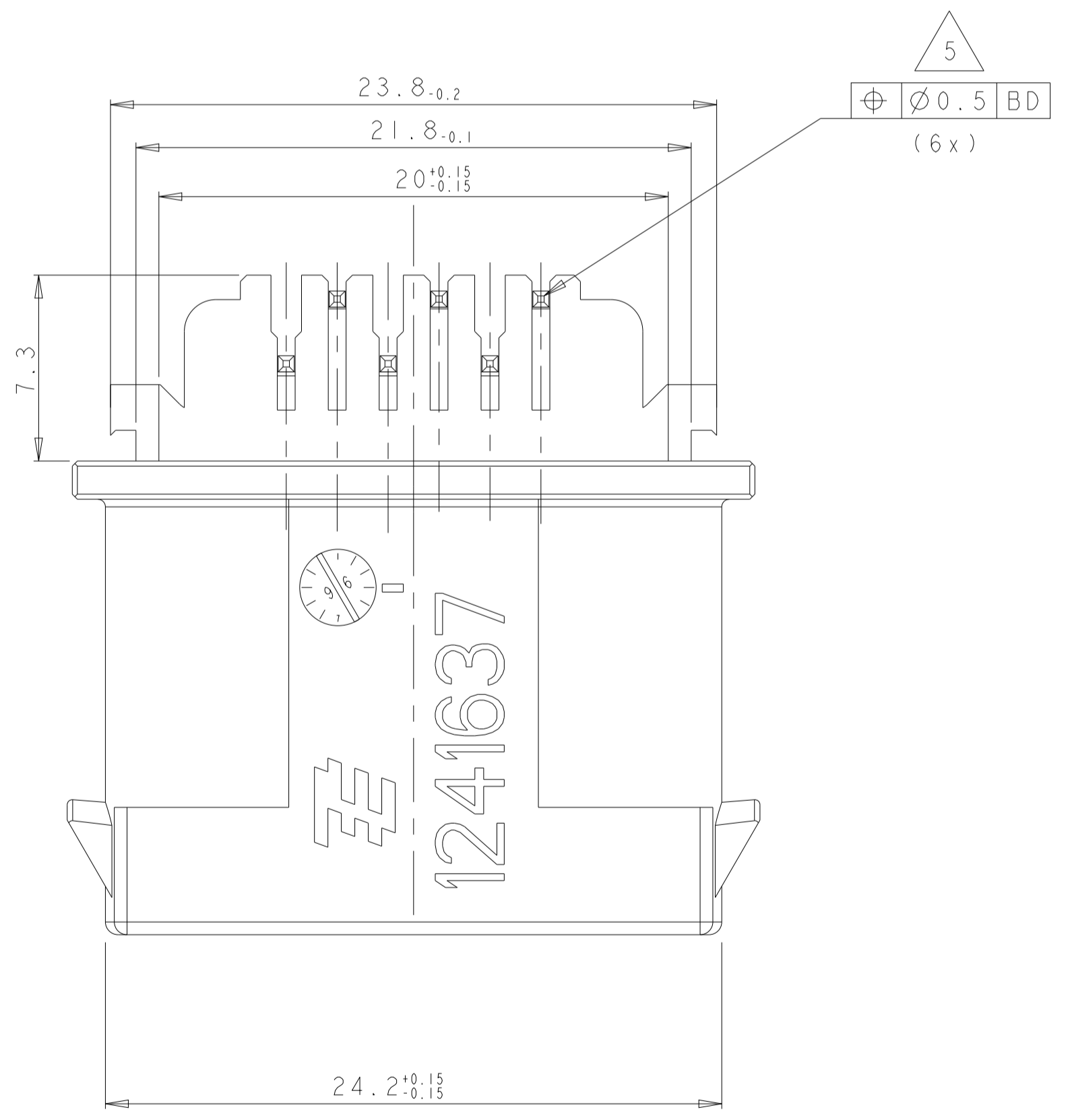
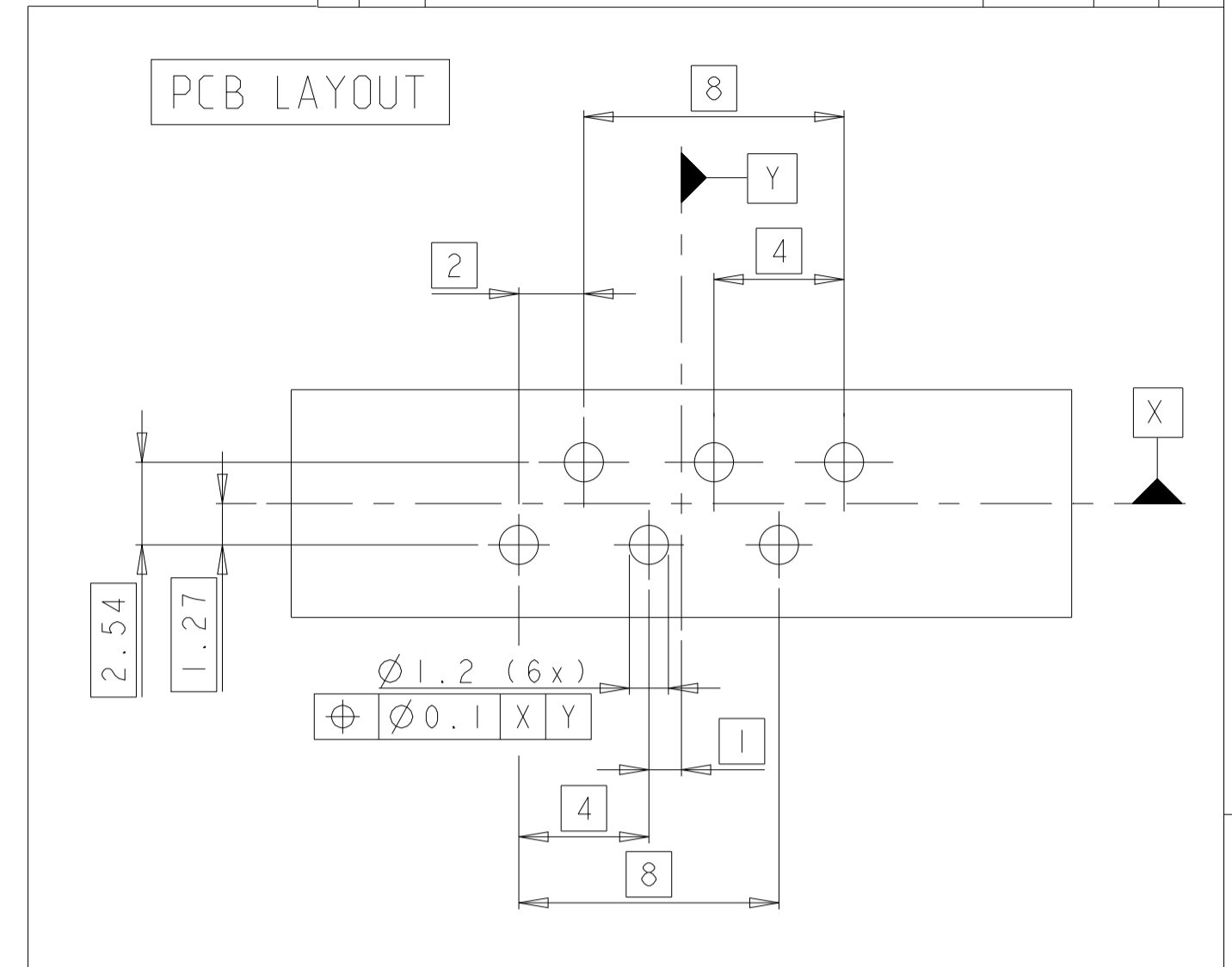
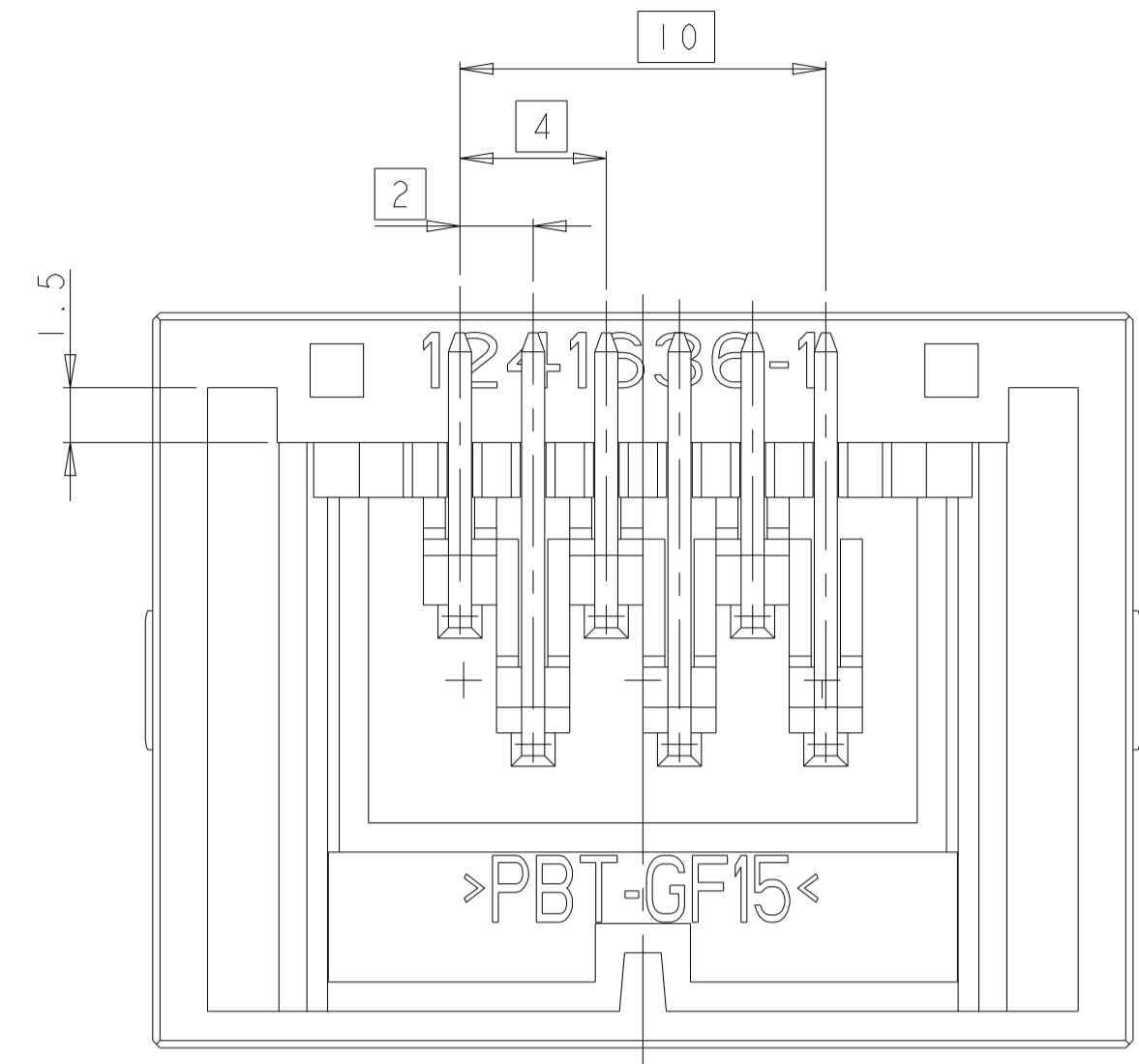
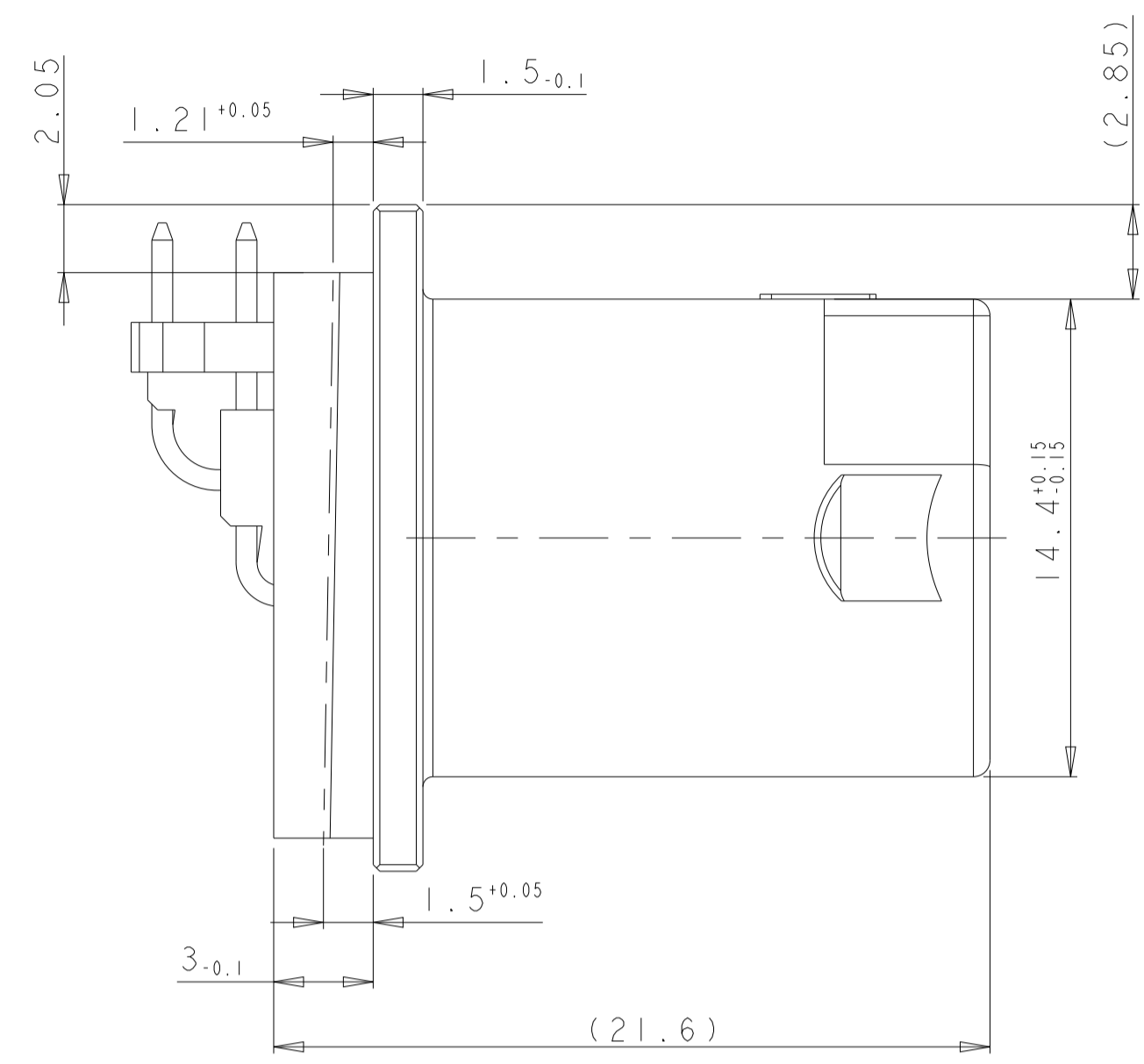
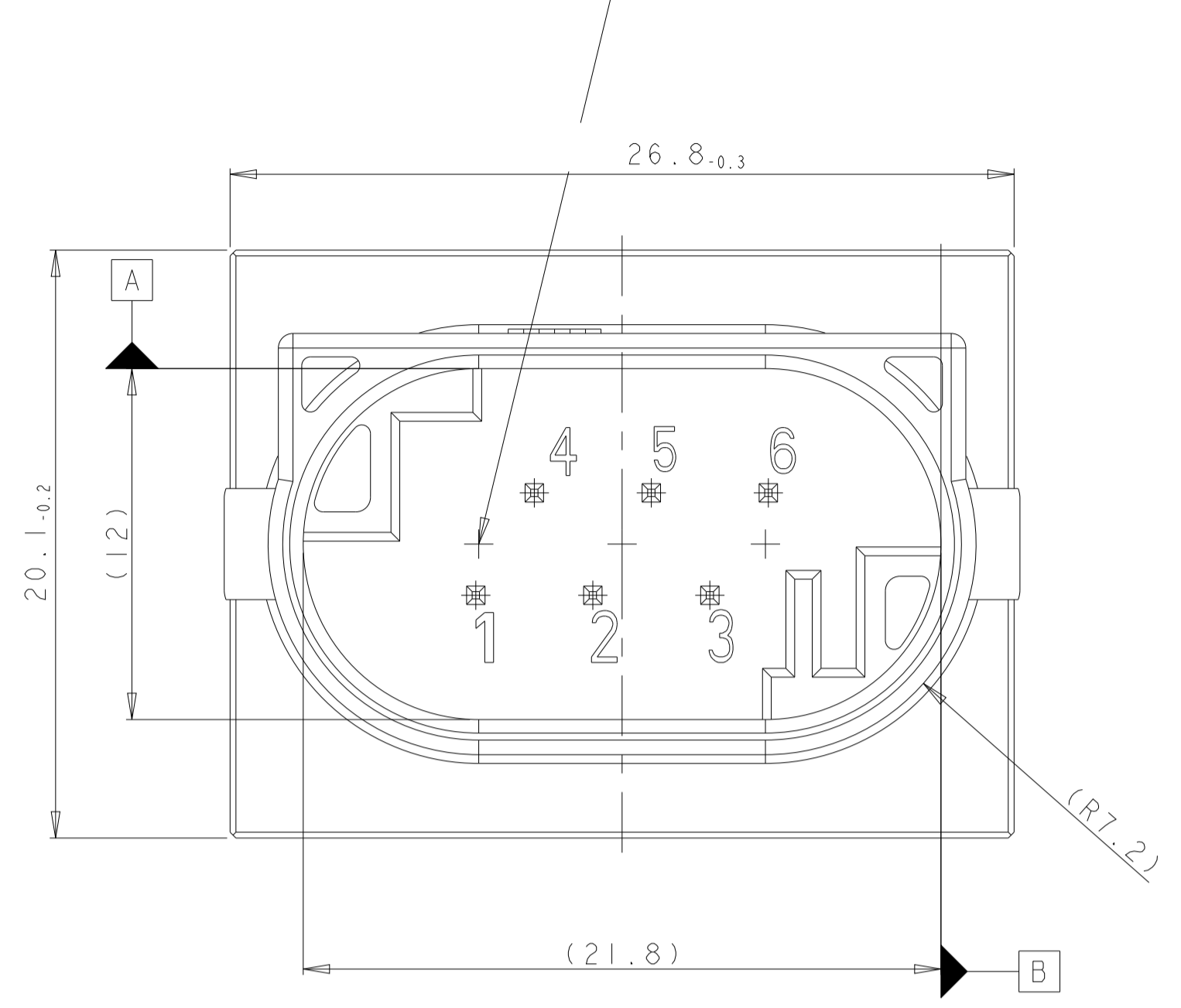


| REVISIONS | | | | |
|-----------|-----------|------------------|----|-----|
| REV | DATE | DESCRIPTION | BY | CHK |
| A5 | 05APR2017 | ECR-17-004871 | NL | NL |
| A6 | 08MAY2018 | PCB-LAYOUT ADDED | RM | HB |
| A7 | 19JAN2026 | ECR-26-267960 | BS | MBK |

DESIGN ACC. TO AV 114-18063-21, COD A
 AUSFUEHRUNG NACH



NOTES
 Bemerkungen

- PACKING: LOOSE PIECE IN TE-BOX
 Verpackung: Schuetfgut in TE-Karton
- PRESS OUT FORCE > 25N WITH SPEED 25mm/min
 Kontaktausdrueckkraft > 25N mit Vorschub 25mm/min
- SOLDER HEAT RESISTANCE ACCORDING TO DIN EN 60068-2-20
 Lotbestaendigkeit gemass DIN EN 60068-2-20
- PRODUCT SPECIFICATION 108-18568-0
 Produkt Spezifikation
- PROOFED BY GAUGE 90-244789
 Lehrenpruefung

| REV. | POS. | QTY. STUECK | DESCRIPTION BENENNUNG | MATERIAL | COLOR/FINISH FARBE/OBERFLAECHE |
|------|------|-------------|-----------------------|----------|--------------------------------|
| - | A | 3 | MOS PIN | CuMg 0,1 | GOLD PLATED/vergoldet |
| | | 2 | MOS PIN | CuMg 0,1 | GOLD PLATED/vergoldet |
| | | 1 | MOS, PIN HOUSING | PBT-GF15 | BLACK/Schwarz |
| A7 | A | 3 | MOS PIN | CuMg 0,1 | PRETINNED/vorverz. |
| | | 2 | MOS PIN | CuMg 0,1 | PRETINNED/vorverz. |
| | | 1 | MOS, PIN HOUSING | PBT-GF15 | BLACK/Schwarz |
| - | A | 3 | MOS PIN | CuMg 0,1 | PRETINNED/vorverz. |
| | | 2 | MOS PIN | CuMg 0,1 | PRETINNED/vorverz. |
| | | 1 | MOS, PIN HOUSING | PBT-GF15 | BLACK/Schwarz |

| ADDITIONAL PLATING INFORMATION FOR 1241637-3 | | | |
|--|--------|-------------------|--------|
| MATING AREA | | SOLDER AREA | |
| PLATING THICKNESS | LENGTH | PLATING THICKNESS | LENGTH |
| MIN. 0.8µm Au OVER Ni | 5.5mm | 3-5µm Sn OVER Ni | 5.5mm |

| | | | |
|--|--------------|---------------------------|-----------|
| THIS DRAWING IS A CONTROLLED DOCUMENT. | | OWN V. Holzmann | 10NOV2004 |
| DIMENSIONS: mm | | CHK - | APVD - |
| TOLERANCES UNLESS OTHERWISE SPECIFIED: | | NAME | |
| 0 PLC | DIN 1901-140 | MOS, PIN HEADER, 6 POS. | |
| 1 PLC | ± | PRODUCT SPEC | |
| 2 PLC | ± | 108-18568-0 | |
| 3 PLC | ± | APPLICATION SPEC | |
| 4 PLC | ± | SIZE CAGE CODE DRAWING NO | |
| ANGLES | ± | RESTRICTED TO | |
| FINISH | ± | WEIGHT 4.75g | |
| MATERIAL SEE TABLE | SEE TABLE | A100779C=1241637 | |
| CUSTOMER DRAWING | SCALE 5:1 | SHEET 1 OF 1 REV A7 | |