

131332 ✓ ACTIVE



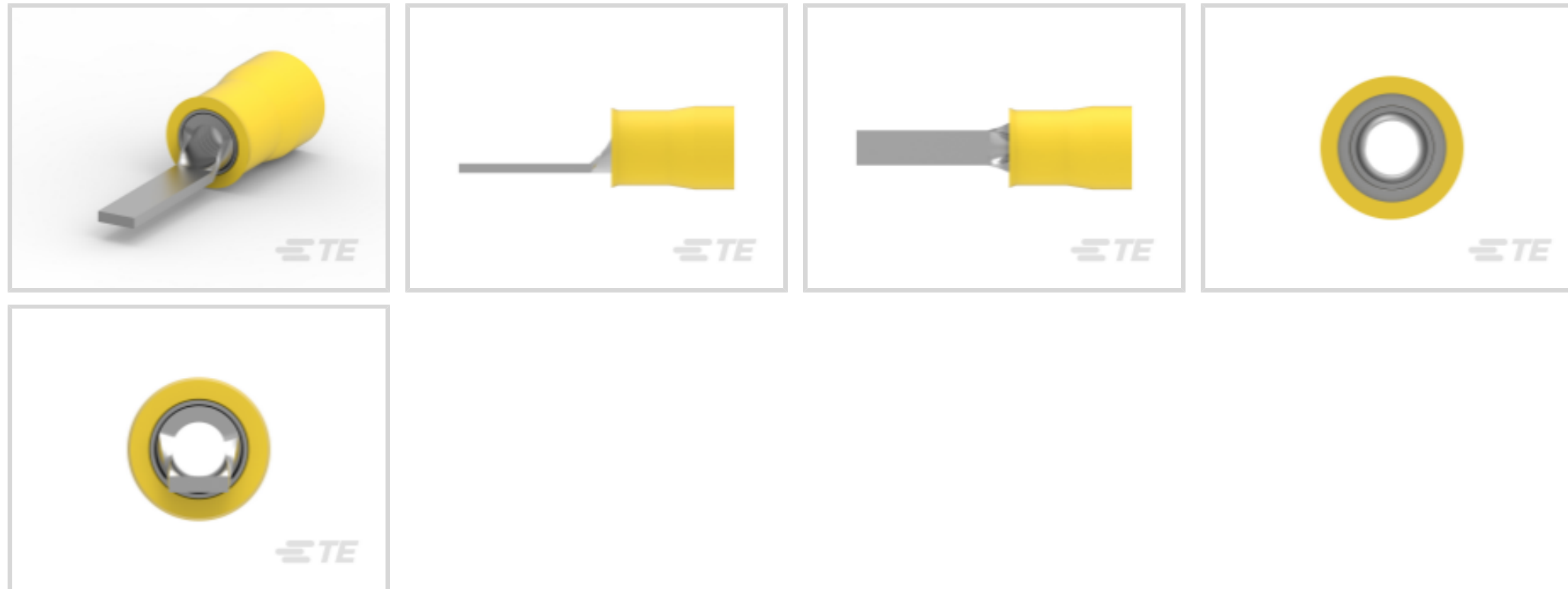
PIDG

TE Internal #: 131332

Tab, Mating Tab Width 4.06 mm [.16 in], Mating Tab Thickness 1.02 mm [.04 in], 12 – 10 AWG Wire Size, PIDG, Crimp Wire Pins, Tabs & Ferrules

[View on TE.com >](#)

Terminals & Splices > Crimp Wire Pins, Tabs & Ferrules > PIDG Pre-Insulated Diamond Grip Tabs



Crimp Wire Terminal Type: **Tab**

Mating Tab Width: **4.06 mm [.16 in]**

Mating Tab Thickness: **1.02 mm [.04 in]**

Compatible Insulation Diameter Range: **6.4 mm, 3.8 – 6.4 mm [.25 in, .149 – .251 in]**

Wire Size: **12 – 10 AWG**

[All PIDG Pre-Insulated Diamond Grip Tabs \(8\)](#)

Features

Contact Features

| | |
|----------------------------|-------------------|
| Crimp Wire Terminal Type | Tab |
| Mating Tab Width | 4.06 mm [.16 in] |
| Mating Tab Thickness | 1.02 mm [.04 in] |
| Barrel Type | Closed |
| Terminal Plating Material | Tin |
| Terminal Orientation | Straight |
| Contact Mating Area Length | 12.4 mm [.487 in] |

Dimensions

| | |
|--------------------------------------|--|
| Compatible Insulation Diameter Range | 6.4 mm, 3.8 – 6.4 mm [.25 in] [.149 – .251 in] |
| Wire Size | 5180 – 13100 CMA |
| Barrel Inside Diameter | 6.4 mm [.253 in] |
| Terminal Material Thickness | 1 mm [.039 in] |
| Overall Product Length | 29.21 mm [1.15 in] |



| | |
|---------------|-------------------------|
| DIN Wire Size | 2.5 – 6 mm ² |
|---------------|-------------------------|

Packaging Features

| | |
|--------------------|-------------|
| Packaging Method | Loose Piece |
| Packaging Quantity | 500 |

Configuration Features

| | |
|-----------------------------------|---------------|
| Compatible With Wire & Cable Type | Discrete Wire |
|-----------------------------------|---------------|

Product Type Features

| | |
|--|--------------------|
| Compatible With Discrete Wire Type | Solid, Stranded |
| Wire Insulation Support Retention Type | Insulation Support |
| Sealable | No |

Usage Conditions

| | |
|-----------------------------|---------------------|
| Insulation Option | Partially Insulated |
| Operating Temperature Range | 105 °C[221 °F] |

Mechanical Attachment

| | |
|-------------------------|------|
| Wire Insulation Support | With |
|-------------------------|------|

Other

| | |
|--------------------|-----------|
| EU RoHS Compliance | Compliant |
| EU ELV Compliance | Compliant |

Body Features

| | |
|-------------------------|--------|
| Sleeve Plating Material | Tin |
| Sleeve Material | Copper |
| Primary Product Color | Yellow |
| Insulation Material | Nylon |

Product Compliance

[For compliance documentation, visit the product page on TE.com>](#)

| | |
|---|--|
| EU RoHS Directive 2011/65/EU | Compliant |
| EU ELV Directive 2000/53/EC | Compliant |
| China RoHS 2 Directive MIIT Order No 32, 2016 | No Restricted Materials Above Threshold |
| EU REACH Regulation (EC) No. 1907/2006 | Current ECHA Candidate List: JUNE 2024 (241) Candidate List Declared Against: JUNE 2024 (241) |



Does not contain REACH SVHC

Halogen Content

Low Halogen - Br, Cl, F, I < 900 ppm per homogenous material. Also BFR/CFR/PVC Free

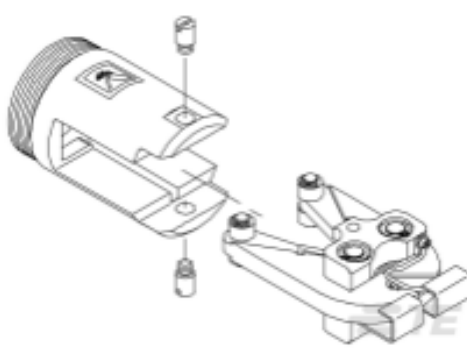
Solder Process Capability

Not applicable for solder process capability

Product Compliance Disclaimer

This information is provided based on reasonable inquiry of our suppliers and represents our current actual knowledge based on the information they provided. This information is subject to change. The part numbers that TE has identified as EU RoHS compliant have a maximum concentration of 0.1% by weight in homogenous materials for lead, hexavalent chromium, mercury, PBB, PBDE, DBP, BBP, DEHP, DIBP, and 0.01% for cadmium, or qualify for an exemption to these limits as defined in the Annexes of Directive 2011/65/EU (RoHS2). Finished electrical and electronic equipment products will be CE marked as required by Directive 2011/65/EU. Components may not be CE marked. Additionally, the part numbers that TE has identified as EU ELV compliant have a maximum concentration of 0.1% by weight in homogenous materials for lead, hexavalent chromium, and mercury, and 0.01% for cadmium, or qualify for an exemption to these limits as defined in the Annexes of Directive 2000/53/EC (ELV). Regarding the REACH Regulation, the information TE provides on SVHC in articles for this part number is based on the latest European Chemicals Agency (ECHA) 'Guidance on requirements for substances in articles' posted at this URL: <https://echa.europa.eu/guidance-documents/guidance-on-reach>

Compatible Parts



TE Part # 679300-1
1210 PIDG CRIMP HEAD



TE Part # 59824-1
TETRA-CRIMP PIDG PG FASTON 22-10 ASSY



TE Part # 58433-3
PRO CR ASSY, RBY IS9252



TE Part # 59239-4
HHHT PIDG PG 12-10 ASSY



TE Part # 539691-2
ERGO DIE R.B.Y



TE Part # 58423-1
DIE, RBY IS9252



TE Part # 47808-6
DIES PIDG 12-10 DIE SET



TE Part # 169400
CERTI-LOK FRAME W/O DIES

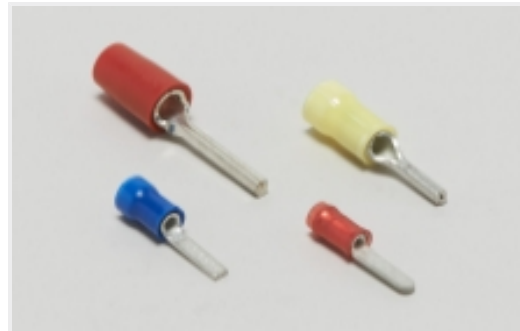


TE Part # 169404
CERTI-LOK DIE

Also in the Series | PIDG



Compression Connectors(17)



Crimp Wire Pins, Tabs & Ferrules(41)



Hand Crimping Tools(2)



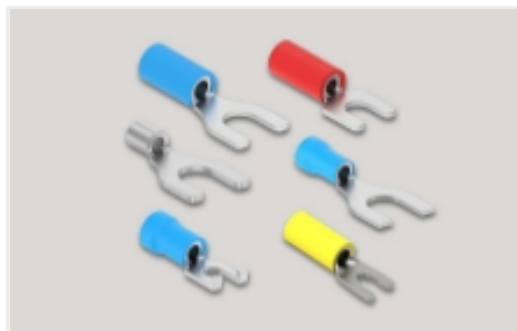
Knife Disconnects(11)



Quick Disconnects(32)



Ring Terminals(588)



Spade Terminals(228)



Special Purpose Terminals(1)



Splices(39)

Customers Also Bought



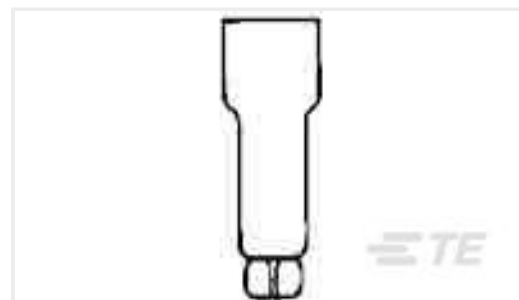
TE Part #32050
PIDG SPD 22-16 COMM 22-18MIL 8



TE Part #35274
PIDG Ring Tongue Terminals



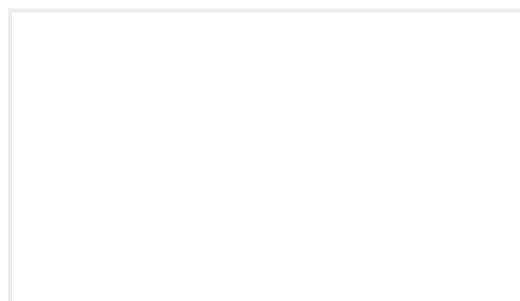
TE Part #151730
22-16 PIDG R/T 2BA NYLON EXP.1



TE Part #36964
SPLICE,CE 22-14



TE Part #5054202007
RNF-100-1/2-1-STK



TE Part #303848-2
ADJ PIN ASSY



TE Part #5885930024
TRSA-1019/E/1/4



Documents

Product Drawings

[TERM, TAB, PIDG, 12-10](#)

English

CAD Files

[3D PDF](#)

3D

Customer View Model

[ENG_CVM_CVM_131332_F.2d_dxf.zip](#)

English

Customer View Model

[ENG_CVM_CVM_131332_F.3d_igs.zip](#)

English

Customer View Model

[ENG_CVM_CVM_131332_F.3d_stp.zip](#)

English

By downloading the CAD file I accept and agree to the [Terms and Conditions](#) of use.

Datasheets & Catalog Pages

[PIDG TERMINALS & SPLICES Quick Reference Guide](#)

English