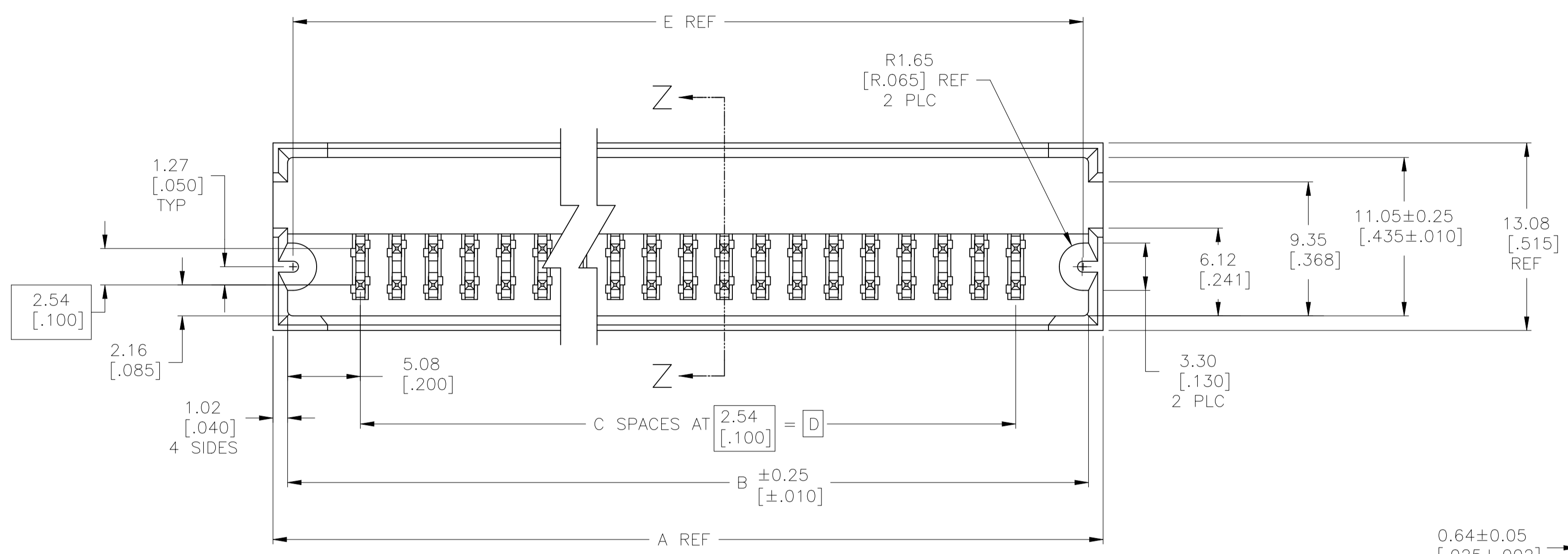
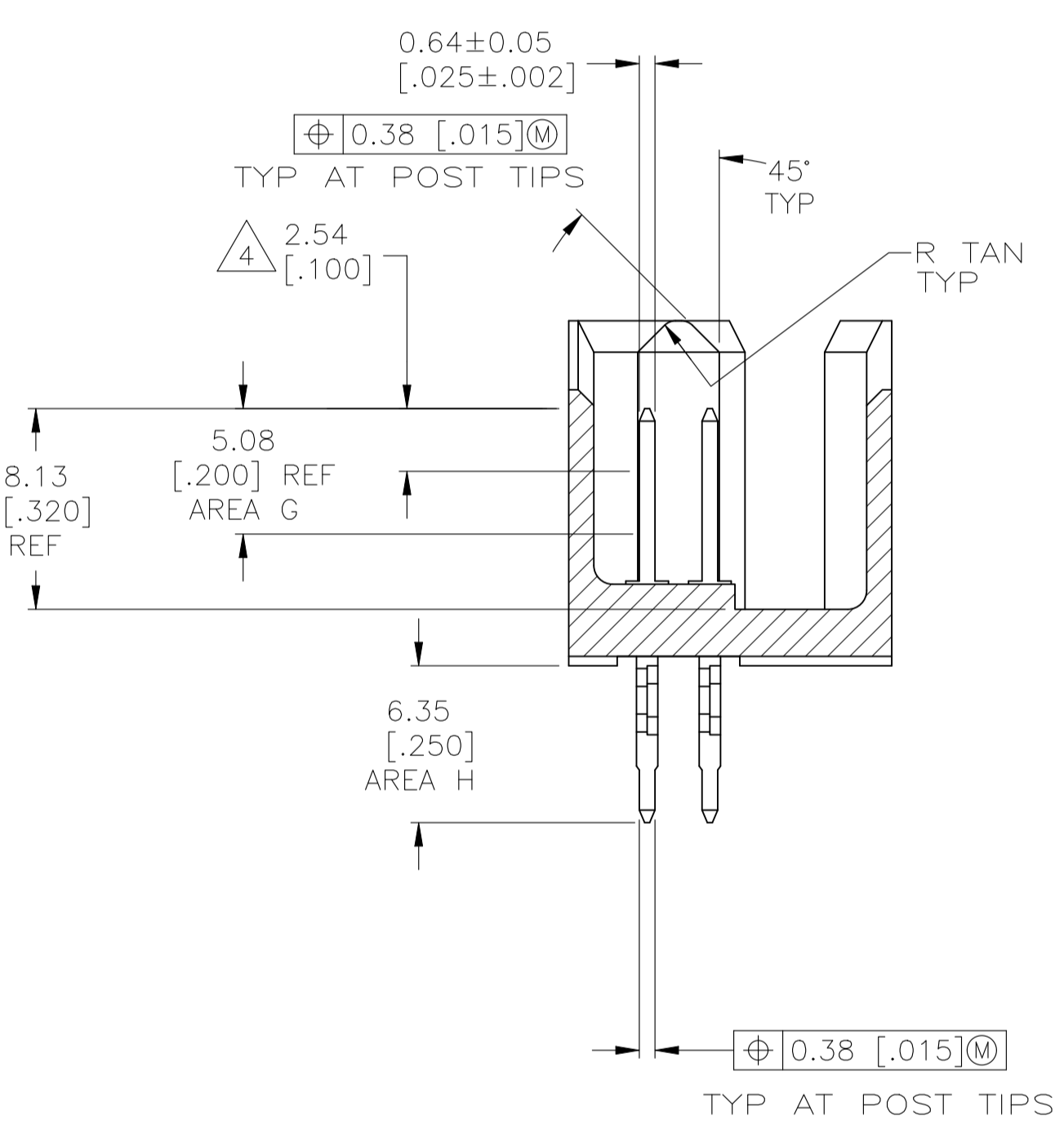
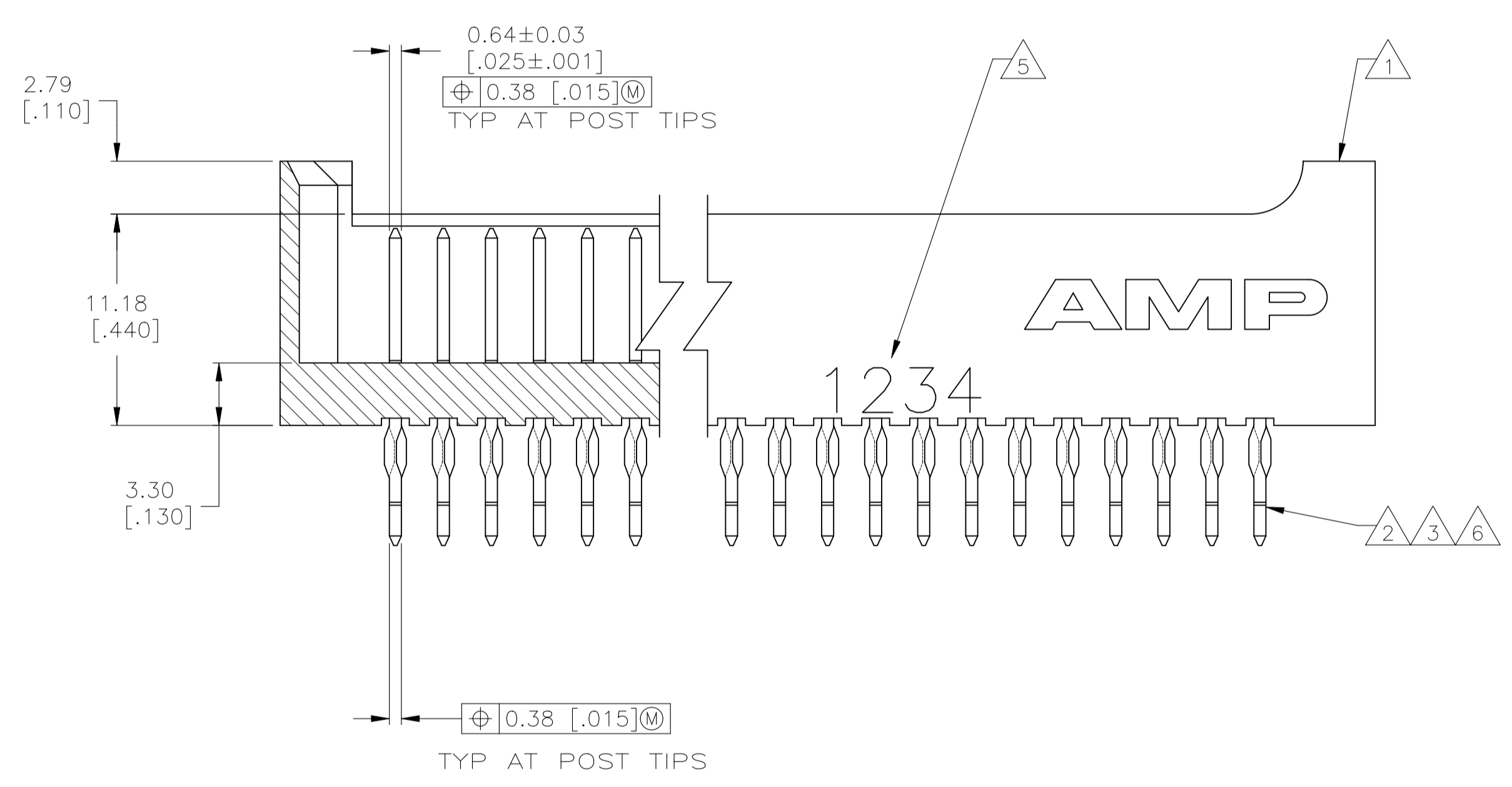


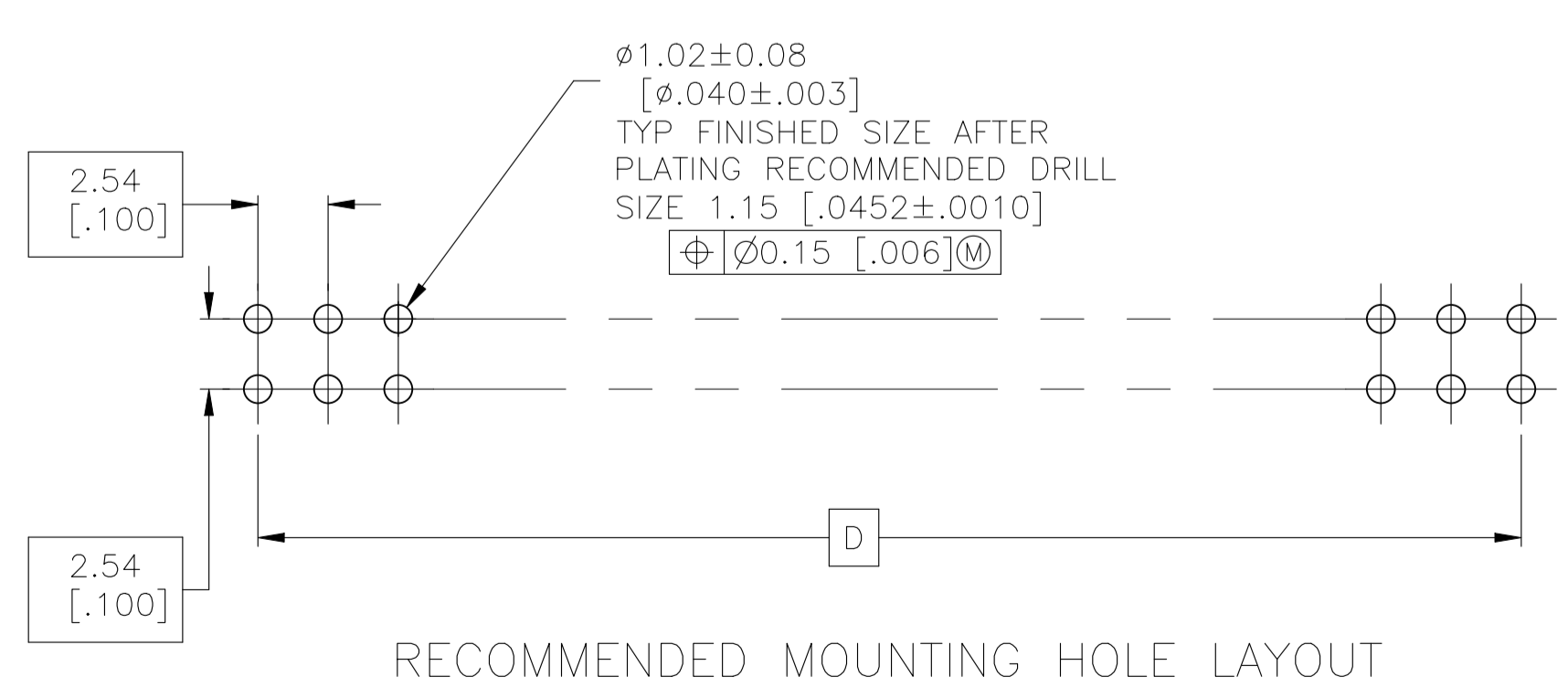
REVISIONS				
REV	DESCRIPTION	DATE	BY	APP'D
L5	ECR-25-238910	02APR2025	ABS	PS



- 1 HOUSING: FLAME RETARDANT THERMOPLASTIC; COLOR: BLACK.
- 2 POST: COPPER ALLOY.
- 3 POST FINISH: 0.00076 [.000030] GOLD IN AREA G, 00254-0.00508 [.000100-.000200] BRIGHT TIN-LEAD IN AREA H, ALL OVER 0.00127 [.000050] NICKEL.
- 4 POINT OF MEASUREMENT FOR PLATING THICKNESS.
- 5 RECESSED DATE CODE. CSA LOGO RECESS STAMPED ON HOUSING.
- 6 DUPLEX PLATING: 0.00076 [.000030] GOLD IN AREA G, 0.00254-0.00508 [.000100-.000200] MATTE TIN IN AREA H, ALL OVER 0.00127 [.000050] NICKEL.
- 7 ROHS 2002/95/EC COMPLIANT.
- 8 OBSOLETE PARTS: OBSOLETE CIS STREAMLINING PER D.RENAUD/D.SINISI



SECTION Z-Z  
ROTATED 90° CW



RECOMMENDED MOUNTING HOLE LAYOUT

THIS DRAWING IS A CONTROLLED DOCUMENT.		DIN K.L.CLOUSER/UTA 4/2/91	TE Connectivity Ltd.	
DIMENSIONS: mm		CHK D SARVER	NAME HEADER ASSY, MOD II, DOUBLE ROW, 2.54 X 2.54 [.100 X .100]CL, .025 SQ COMPLIANT PIN POST, FOR .093 NOM AND THICKER BOARDS	
TOLERANCES UNLESS OTHERWISE SPECIFIED:		APVD	PRODUCT SPEC	
0 PLC ± -		APPLICATION SPEC		
1 PLC ± -		SIZE		
2 PLC ± 0.13 [.005]		CAGE CODE		
3 PLC ± -		DRAWING NO		
4 PLC ± -		WEIGHT		
ANGLES ± -		A1 00779 C=102690		
MATERIAL		CUSTOMER DRAWING		
FINISH SEE TABLE		SCALE 4:1 SHEET 1 OF 2 REV L5		

REVISIONS					
REV	DATE	DESCRIPTION	BY	CHK	APPV
-	-	SEE SHEET 1	-	-	-

FINISH	E	D	C	B	A	NO OF POSN	PART NUMBER
OBSOLETE	210.06 [8.270]	200.66 [7.900]	79	210.82 [8.300]	212.85 [8.380]	160	$\triangle 7$ 7-102690-8
							$\triangle 7$ 7-102690-7
							$\triangle 7$ 7-102690-6
							$\triangle 7$ 7-102690-5
							$\triangle 7$ 7-102690-4
							$\triangle 7$ 7-102690-3
							$\triangle 7$ 7-102690-2
							$\triangle 7$ 7-102690-1
							$\triangle 7$ 7-102690-0
							$\triangle 7$ 6-102690-9
OBSOLETE	98.30 [3.870]	88.90 [3.500]	35	22.86 [.900]	101.09 [3.980]	72	$\triangle 7$ 6-102690-8
	95.76 [3.770]	86.36 [3.400]	34	96.52 [3.800]	98.55 [3.880]	70	$\triangle 7$ 6-102690-7
OBSOLETE	57.66 [2.270]	48.26 [1.900]	19	58.42 [2.300]	60.45 [2.380]	40	$\triangle 7$ 6-102690-6
OBSOLETE	44.96 [1.770]	35.56 [1.400]	14	45.72 [1.800]	47.75 [1.880]	30	$\triangle 7$ 6-102690-5
OBSOLETE	27.18 [1.070]	17.78 [.700]	7	27.94 [1.100]	29.97 [1.180]	16	$\triangle 7$ 6-102690-4
	32.26 [1.270]	22.86 [.900]	9	33.02 [1.300]	35.05 [1.380]	20	$\triangle 7$ 6-102690-3
							$\triangle 7$ 6-102690-2
OBSOLETE	121.16 [4.770]	111.76 [4.400]	44	121.92 [4.800]	113.79 [4.480]	90	$\triangle 7$ 6-102690-1
OBSOLETE	260.86 [10.270]	251.46 [9.900]	99	261.62 [10.300]	263.65 [10.380]	200	$\triangle 7$ 6-102690-0
OBSOLETE	159.26 [6.270]	149.86 [5.900]	59	160.02 [6.300]	162.05 [6.380]	120	$\triangle 7$ 5-102690-9
	133.86 [5.270]	124.46 [4.900]	49	134.62 [5.300]	136.65 [5.380]	100	$\triangle 7$ 5-102690-8
	128.78 [5.070]	119.38 [4.700]	47	129.54 [5.100]	131.57 [5.180]	96	$\triangle 7$ 5-102690-7
OBSOLETE	108.46 [4.270]	99.06 [3.900]	39	109.22 [4.300]	111.25 [4.380]	80	$\triangle 7$ 5-102690-6
	83.06 [3.270]	73.66 [2.900]	29	83.82 [3.300]	85.85 [3.380]	60	$\triangle 7$ 5-102690-5
	70.36 [2.770]	60.96 [2.400]	24	71.12 [2.800]	73.15 [2.880]	50	$\triangle 7$ 5-102690-4
	52.58 [2.070]	43.18 [1.700]	17	53.34 [2.100]	55.37 [2.180]	36	$\triangle 7$ 5-102690-3
	37.34 [1.470]	27.94 [1.100]	11	38.10 [1.500]	40.13 [1.580]	24	$\triangle 7$ 5-102690-2
	22.10 [.870]	12.70 [.500]	5	22.86 [.900]	24.89 [.980]	12	$\triangle 7$ 5-102690-1

FINISH	E	D	C	B	A	NO OF POSN	PART NUMBER
OBSOLETE	210.06 [8.270]	200.66 [7.900]	79	210.82 [8.300]	212.85 [8.380]	160	<del>2-102690-8</del>
							<del>2-102690-7</del>
							<del>2-102690-6</del>
							<del>2-102690-5</del>
							<del>2-102690-4</del>
							<del>2-102690-3</del>
							<del>2-102690-2</del>
							<del>2-102690-1</del>
							<del>2-102690-0</del>
							<del>1-102690-9</del>
OBSOLETE	98.30 [3.870]	88.90 [3.500]	35	22.86 [.900]	101.09 [3.980]	72	<del>1-102690-8</del>
	95.76 [3.770]	86.36 [3.400]	34	96.52 [3.800]	98.55 [3.880]	70	<del>1-102690-7</del>
OBSOLETE	57.66 [2.270]	48.26 [1.900]	19	58.42 [2.300]	60.45 [2.380]	40	<del>1-102690-6</del>
OBSOLETE	44.96 [1.770]	35.56 [1.400]	14	45.72 [1.800]	47.75 [1.880]	30	<del>1-102690-5</del>
OBSOLETE	27.18 [1.070]	17.78 [.700]	7	27.94 [1.100]	29.97 [1.180]	16	<del>1-102690-4</del>
	32.26 [1.270]	22.86 [.900]	9	33.02 [1.300]	35.05 [1.380]	20	<del>1-102690-3</del>
							<del>1-102690-2</del>
OBSOLETE	121.16 [4.770]	111.76 [4.400]	44	121.92 [4.800]	113.79 [4.480]	90	<del>1-102690-1</del>
OBSOLETE	260.86 [10.270]	251.46 [9.900]	99	261.62 [10.300]	263.65 [10.380]	200	<del>1-102690-0</del>
OBSOLETE	159.26 [6.270]	149.86 [5.900]	59	160.02 [6.300]	162.05 [6.380]	120	<del>102690-9</del>
	133.86 [5.270]	124.46 [4.900]	49	134.62 [5.300]	136.65 [5.380]	100	<del>102690-8</del>
	128.78 [5.070]	119.38 [4.700]	47	129.54 [5.100]	131.57 [5.180]	96	<del>102690-7</del>
OBSOLETE	108.46 [4.270]	99.06 [3.900]	39	109.22 [4.300]	111.25 [4.380]	80	<del>102690-6</del>
	83.06 [3.270]	73.66 [2.900]	29	83.82 [3.300]	85.85 [3.380]	60	<del>102690-5</del>
	70.36 [2.770]	60.96 [2.400]	24	71.12 [2.800]	73.15 [2.880]	50	<del>102690-4</del>
	52.58 [2.070]	43.18 [1.700]	17	53.34 [2.100]	55.37 [2.180]	36	<del>102690-3</del>
	37.34 [1.470]	27.94 [1.100]	11	38.10 [1.500]	40.13 [1.580]	24	<del>102690-2</del>
	22.10 [.870]	12.70 [.500]	5	22.86 [.900]	24.89 [.980]	12	<del>102690-1</del>

SUPERSEDED BY 6-102690-4

SUPERSEDED BY 5-102690-6

SUPERSEDED BY 5-102690-1

THIS DRAWING IS A CONTROLLED DOCUMENT.

DIN K.L.CLOUSER/UTA 4/2/91  
CHK D SARVER 6-19-91

TE Connectivity Ltd.

NAME: HEADER ASSY, MOD II, DOUBLE ROW, 2.54 X 2.54 [100 X 100]CL, .025 SQ COMPLIANT PIN POST, FOR .093 NOM AND THICKER BOARDS

PRODUCT SPEC: -  
APPLICATION SPEC: -

SIZE: A1 CAGE CODE: 00779 DRAWING NO: 102690

WEIGHT: -

CUSTOMER DRAWING

SCALE: 4:1 SHEET 2 OF 2 REV 15