



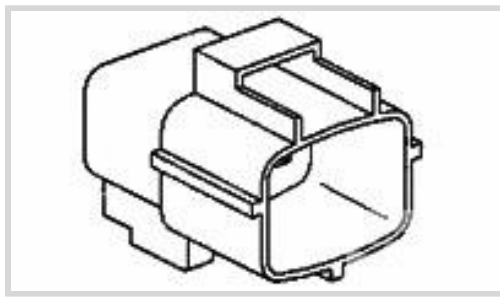
Econoseal

TE Internal #: 174663-2

Housing for Male Terminals, Wire-to-Wire, 12 Position, 4.8 mm [.189 in] Centerline, Sealable, Black, Signal, Cable Mount (Free-Hanging)

[View on TE.com >](#)

Connectors > Automotive Connectors > Automotive Housings > ECONOSEAL, CONNECTOR HOUSING



Connector System: **Wire-to-Wire**

Number of Positions: **12**

Connector & Housing Type: **Housing for Male Terminals**

Centerline (Pitch): **4.8 mm [.189 in]**

Sealable: **Yes**

[All ECONOSEAL, CONNECTOR HOUSING \(59\)](#)

## Features

### Product Type Features

Connector System	Wire-to-Wire
Connector & Housing Type	Housing for Male Terminals
Sealable	Yes
Primary Locking Feature	Integrated in Housing
Mixed & Hybrid Connector	No
Connector Shape	Rectangular

### Configuration Features

Number of Positions	12
Number of Rows	2

### Housing Features

Centerline (Pitch)	4.8 mm [.189 in]
Housing Material	PBT

### Contact Features

Mating Tab Width	1.8 mm [.071 in]
Contact Size	1.8mm
Contact Type	Tab

### Body Features



Primary Product Color	Black
-----------------------	-------

Cable Exit Angle	180°
------------------	------

### Operation/Application

Circuit Application	Signal
---------------------	--------

### Mechanical Attachment

Connector Mounting Type	Cable Mount (Free-Hanging)
-------------------------	----------------------------

Strain Relief	Without
---------------	---------

Terminal Position Assurance	Yes
-----------------------------	-----

Mating Alignment Type	Polarization
-----------------------	--------------

Mating Alignment	With
------------------	------

### Usage Conditions

Operating Temperature (Max)	80 °C, 105 °C, 90 °C, 100 °C, 85 °C, 75 °C, 70 °C [221 °F] [167 °F] [158 °F] [176 °F] [194 °F] [185 °F] [212 °F]
-----------------------------	--

Operating Temperature Range	-30 – 105 °C [-22 – 221 °F]
-----------------------------	-----------------------------

### Electrical Characteristics

Nominal Voltage Architecture	12 V
------------------------------	------

Operating Voltage	12 VDC
-------------------	--------

### Other

Connector Position Assurance Capable	No
--------------------------------------	----

EU RoHS Compliance	Compliant
--------------------	-----------

EU ELV Compliance	Compliant
-------------------	-----------

Serviceable	Yes
-------------	-----

### Dimensions

Row-to-Row Spacing	3 mm [.118 in]
--------------------	----------------

Product Width	37.5 mm [1.476 in]
---------------	--------------------

Product Length	36.5 mm [1.437 in]
----------------	--------------------

Connector Height	26.85 mm [1.057 in]
------------------	---------------------

### Industry Standards

UL Flammability Rating	UL 94V-2
------------------------	----------

### Packaging Features

Packaging Quantity	100
--------------------	-----

Packaging Method

Bag

## Product Compliance

For compliance documentation, visit the product page on [TE.com](https://www.te.com)>

EU RoHS Directive 2011/65/EU	Compliant
EU ELV Directive 2000/53/EC	Compliant
China RoHS 2 Directive MIIT Order No 32, 2016	No Restricted Materials Above Threshold
EU REACH Regulation (EC) No. 1907/2006	Current ECHA Candidate List: JUNE 2024 (241) Candidate List Declared Against: JUNE 2024 (241) Does not contain REACH SVHC
Halogen Content	Not Low Halogen - contains Br or Cl > 900 ppm.
Solder Process Capability	Not applicable for solder process capability

### Product Compliance Disclaimer

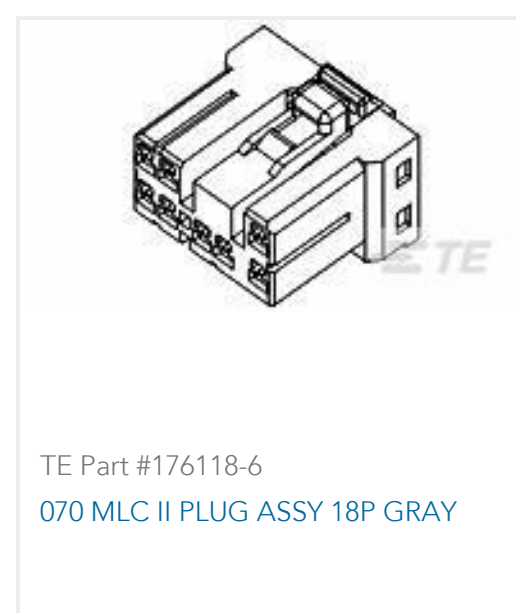
This information is provided based on reasonable inquiry of our suppliers and represents our current actual knowledge based on the information they provided. This information is subject to change. The part numbers that TE has identified as EU RoHS compliant have a maximum concentration of 0.1% by weight in homogenous materials for lead, hexavalent chromium, mercury, PBB, PBDE, DBP, BBP, DEHP, DIBP, and 0.01% for cadmium, or qualify for an exemption to these limits as defined in the Annexes of Directive 2011/65/EU (RoHS2). Finished electrical and electronic equipment products will be CE marked as required by Directive 2011/65/EU. Components may not be CE marked. Additionally, the part numbers that TE has identified as EU ELV compliant have a maximum concentration of 0.1% by weight in homogenous materials for lead, hexavalent chromium, and mercury, and 0.01% for cadmium, or qualify for an exemption to these limits as defined in the Annexes of Directive 2000/53/EC (ELV). Regarding the REACH Regulation, the information TE provides on SVHC in articles for this part number is based on the latest European Chemicals Agency (ECHA) 'Guidance on requirements for substances in articles' posted at this URL: <https://echa.europa.eu/guidance-documents/guidance-on-reach>

## Compatible Parts





## Customers Also Bought



## Documents

### Product Drawings

#### 12 POS HSG MARK II+

English

### CAD Files

#### Customer View Model

[ENG\\_CVM\\_CVM\\_174663-2\\_C1.3d\\_stp.zip](#)

English

#### Customer View Model

[ENG\\_CVM\\_CVM\\_174663-2\\_C1.3d\\_igs.zip](#)

English

### 3D PDF

3D

#### Customer View Model

[ENG\\_CVM\\_CVM\\_174663-2\\_C1.2d\\_dxf.zip](#)

English

By downloading the CAD file I accept and agree to the [Terms and Conditions](#) of use.



## Datasheets & Catalog Pages

### Econoseal Connector Series

English

---

## Product Specifications

### Product Specification

English

### Product Specification

Japanese

---

## Instruction Sheets

### ECONOSEAL J MARK II+ CONNECTOR (EJ-MK II+)

English

### Customer Manual (non U.S.)

English

### ECONOSEAL J MARK II+ CONNECTOR

English

### Customer Manual (non U.S.)

English

---

## Agency Approvals

### Agency Approval Document

English