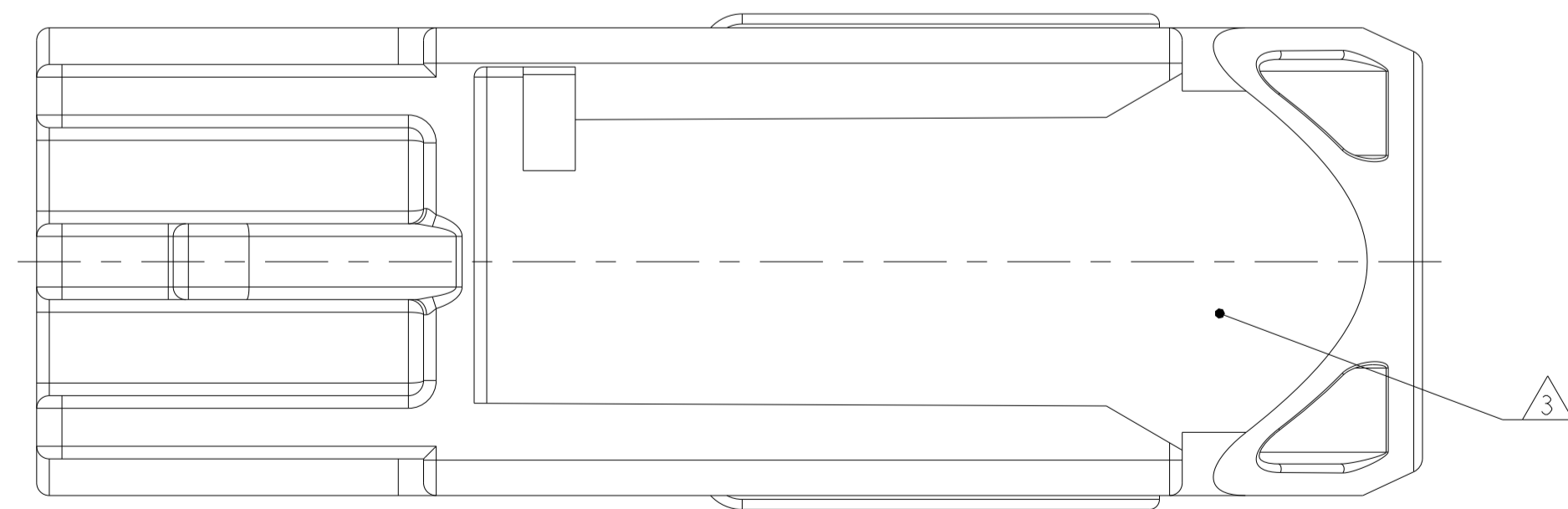
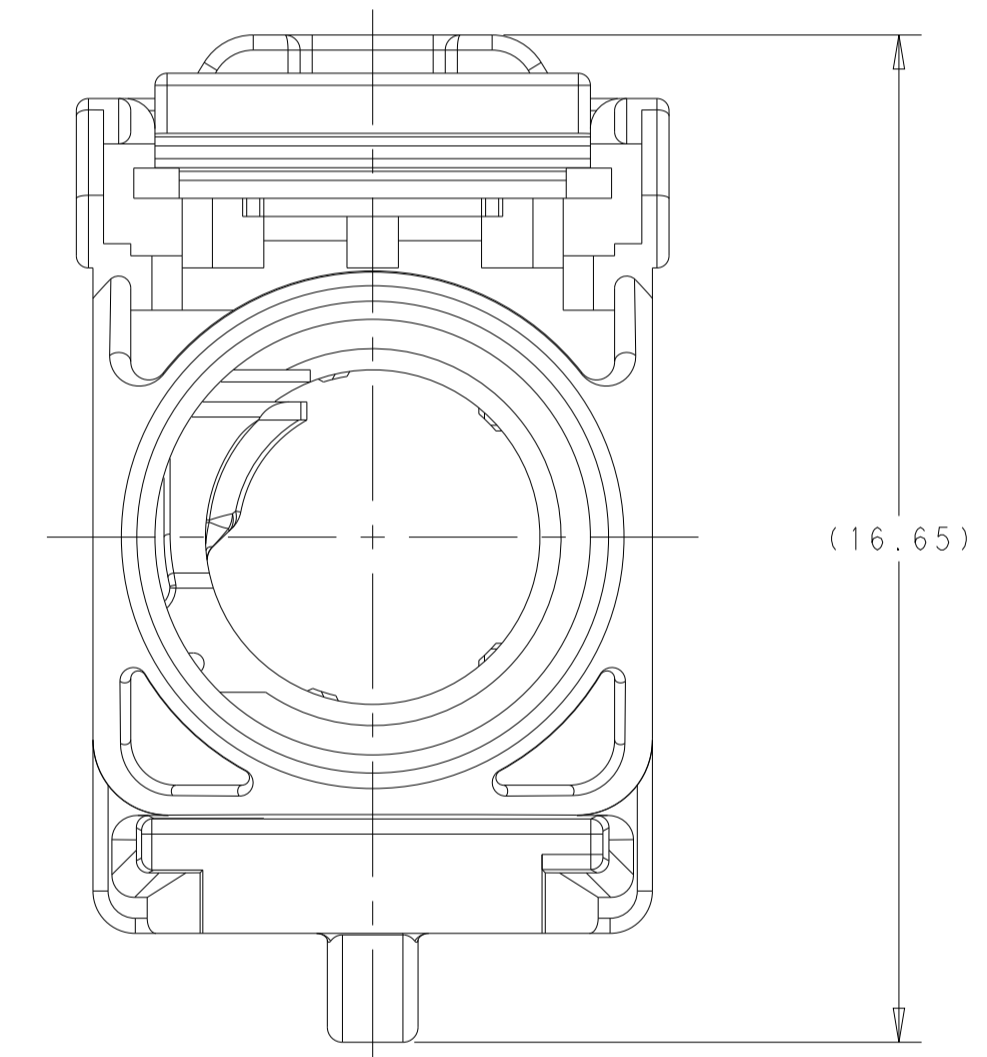
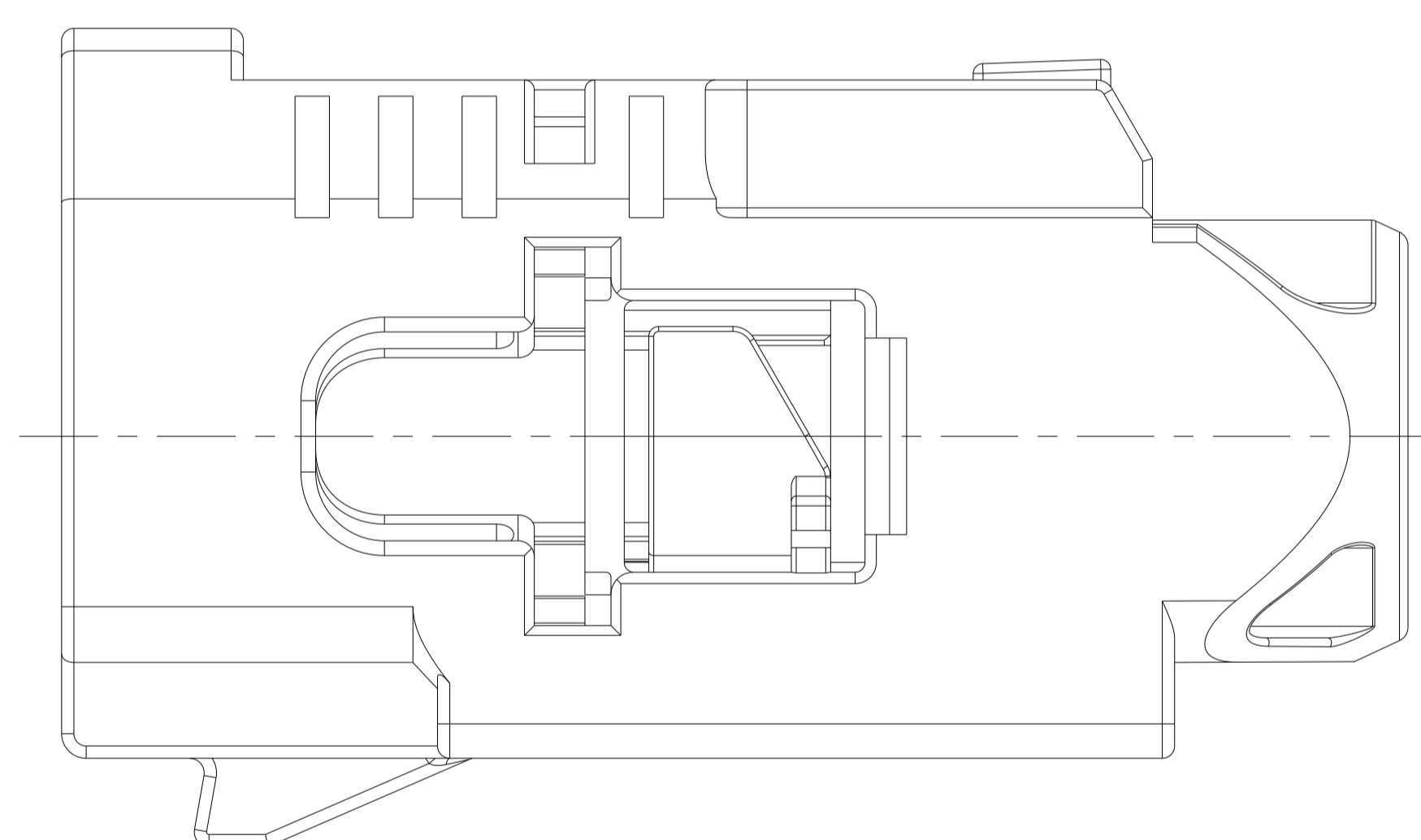
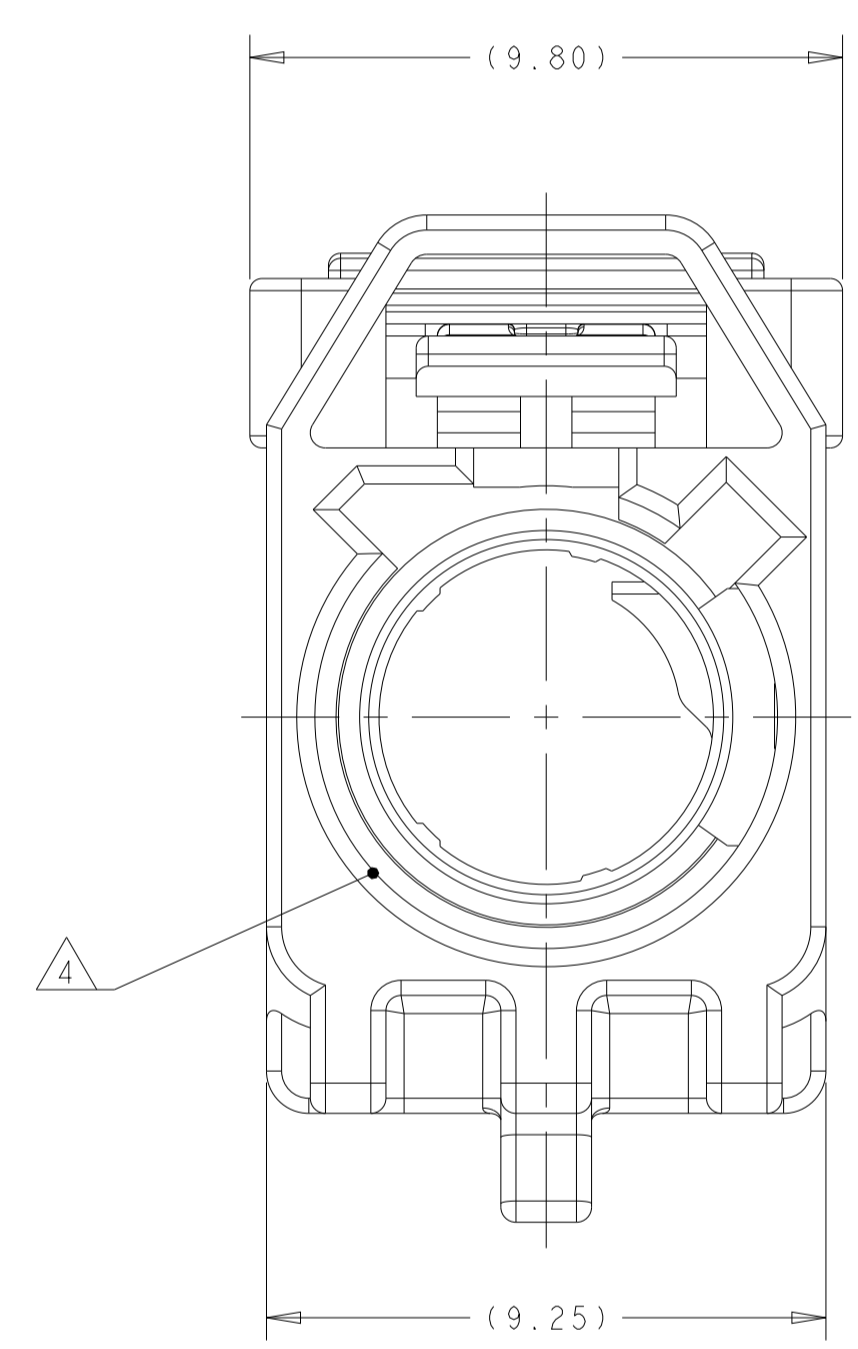
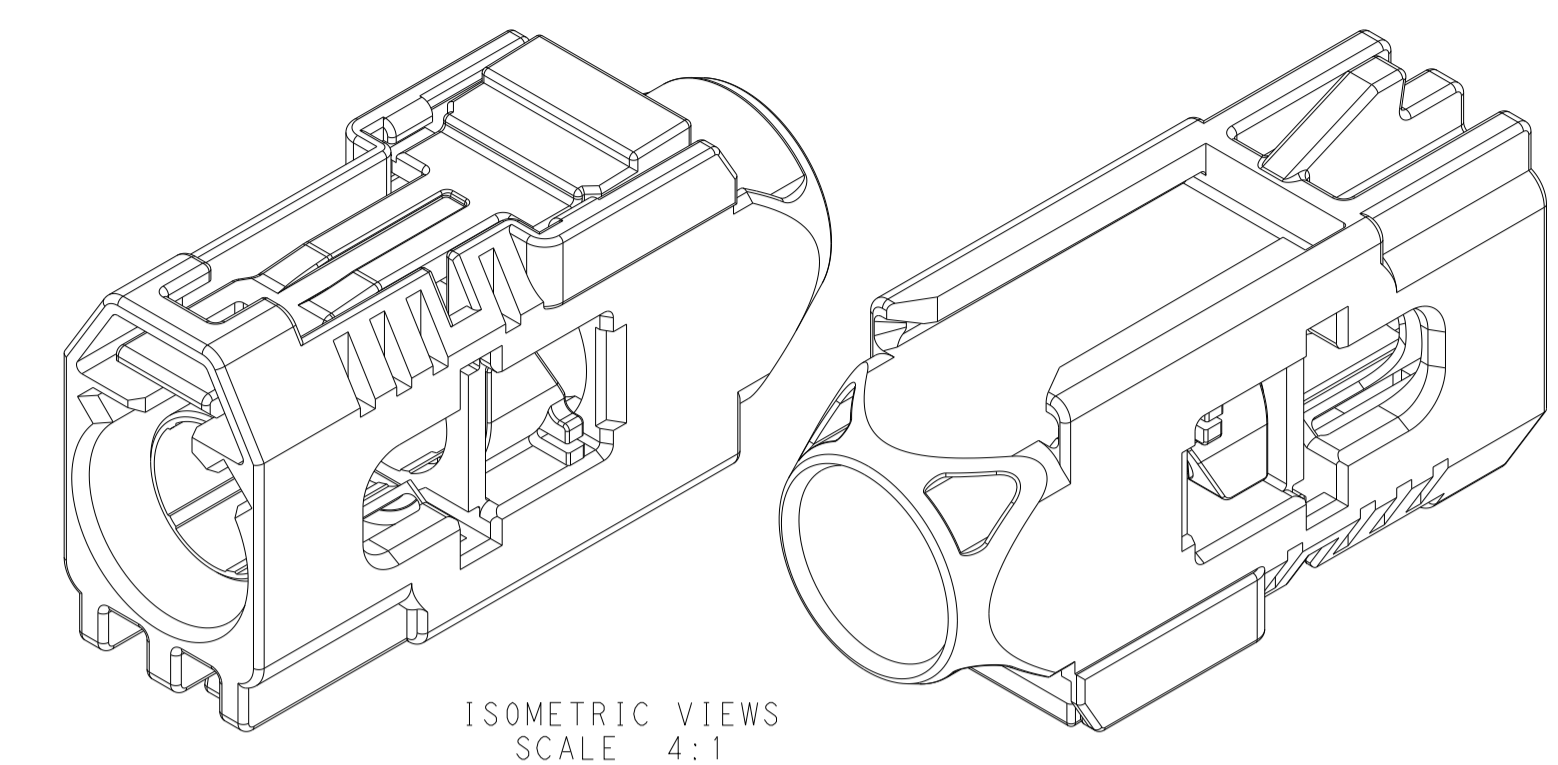
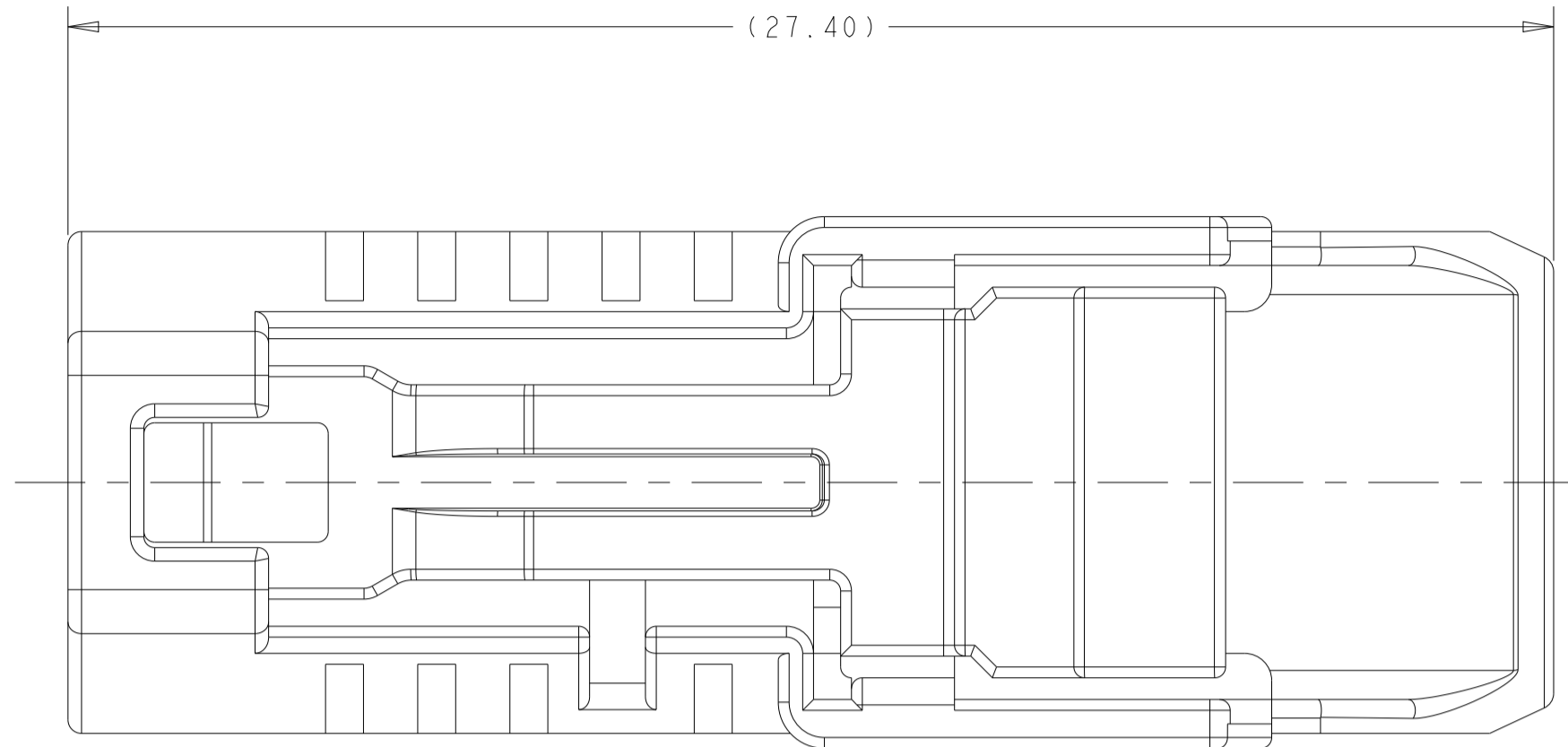


REVISIONS					
P	LTN	DESCRIPTION	DATE	DWN	APVD
1		INITIAL DRAWING	07JUL2019	JMS	NE
A		RELEASED PER ECO-19-013948	10SEP2019	KF	NE
A1		REVISED PER ECN-25-313025	25MAR2025	JM	AP
A2		REVISED PER ECN-25-324030	27MAY2025	SR	JR



Z	PER DETAIL Z	WATER BLUE	2-2345654-0
N	PER DETAIL N	PASTEL GREEN	1-2345654-3
M	PER DETAIL M	PASTEL ORANGE	1-2345654-2
L	PER DETAIL L	CARMINE RED	1-2345654-1
K	PER DETAIL K	CURRY	1-2345654-0
I	PER DETAIL I	BEIGE	2345654-9
H	PER DETAIL H	HEATHER VIOLET	2345654-8
G	PER DETAIL G	BLUE GREY	2345654-7
F	PER DETAIL F	NUT BROWN	2345654-6
E	PER DETAIL E	LEAF GREEN	2345654-5
D	PER DETAIL D	CLARET VIOLET	2345654-4
C	PER DETAIL C	SIGNAL BLUE	2345654-3
B	PER DETAIL B	CREAM	2345654-2
A	PER DETAIL A	JET BLACK	2345654-1
KEY CODE	KEYING	CODING COLOR	PART NUMBER

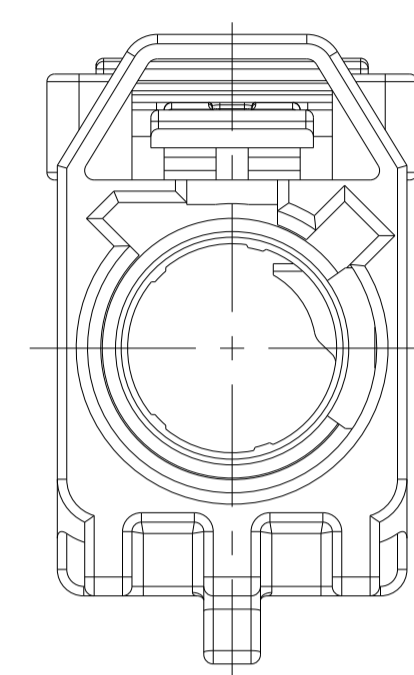
- 1. 2345654-1 AS SHOWN.
- 2 MATERIAL, POLYESTER PBT, COLOR SEE TABLE.
- 3 STANDARD 7mm CLIP SLOT EWCAP-005-7.
- 4 FEMALE INTERFACE PER ISO-20860-1, ISO-20860-2, SAE/USCAR-17, SAE/USCAR-18.

THIS DRAWING IS A CONTROLLED DOCUMENT.

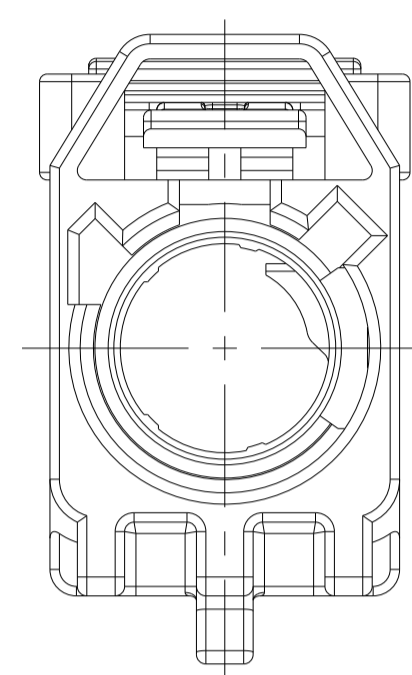
DWN	J. SHIRK	07JUL2019
CHK	N. EVANS	07JUL2019
APVD	N. EVANS	07JUL2019
NAME	FEMALE HOUSING, CLIP SLOT, 1 POSITION, FAKRA	
PRODUCT SPEC	108-32137	
APPLICATION SPEC	114-32145	
SIZE	CAGE CODE	DRAWING NO
A1	-	2345654
RESTRICTED TO	-	
CUSTOMER DRAWING	SCALE	8:1
SHEET	1	OF 2
REV	A2	

TE Connectivity

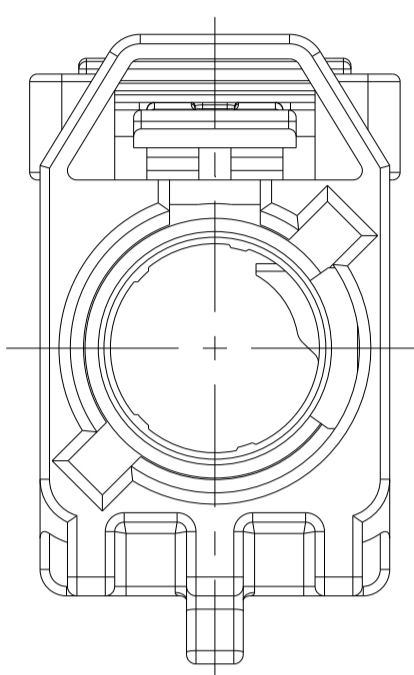
REVISIONS				
P	LTN	DESCRIPTION	DATE	APVD
-		SEE SHEET 1	-	-



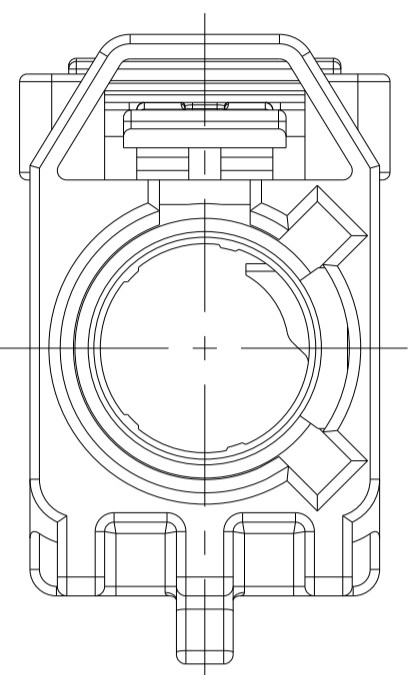
DETAIL A
SCALE 5:1



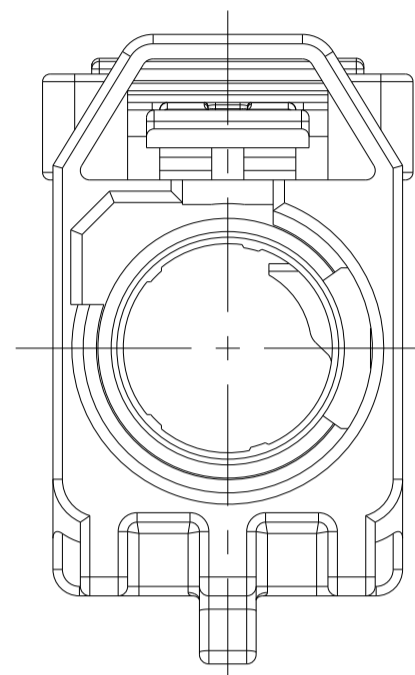
DETAIL B
SCALE 5:1



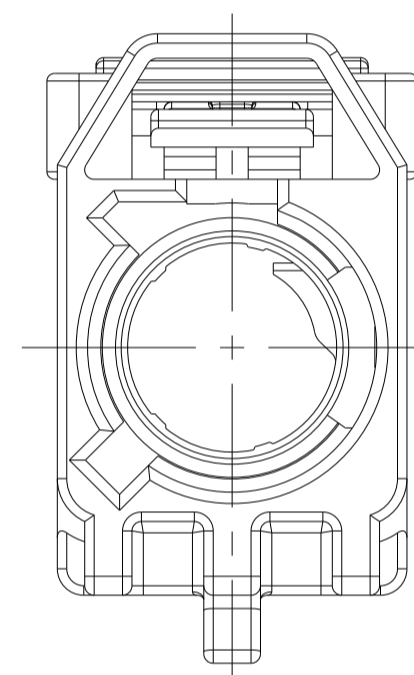
DETAIL C
SCALE 5:1



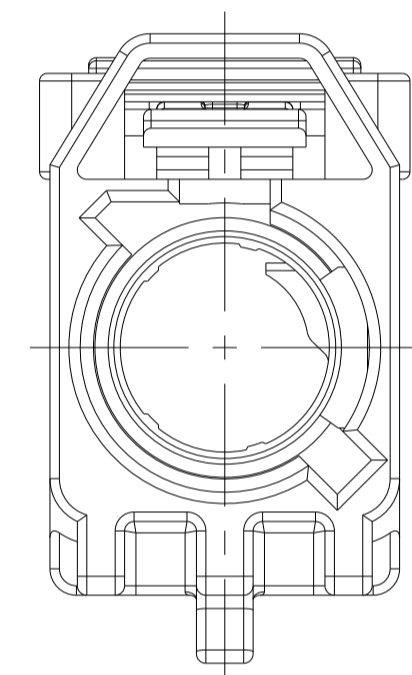
DETAIL D
SCALE 5:1



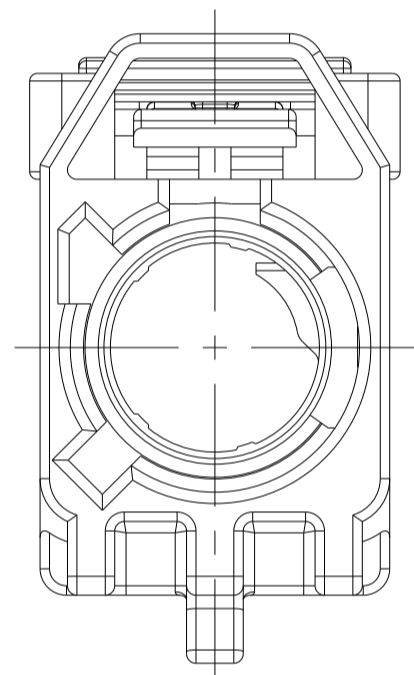
DETAIL E
SCALE 5:1



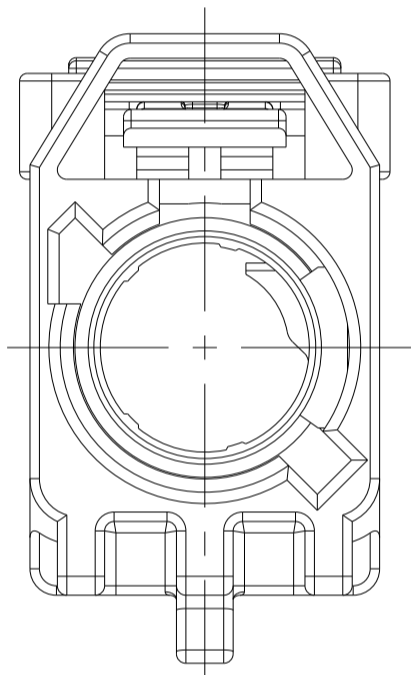
DETAIL F
SCALE 5:1



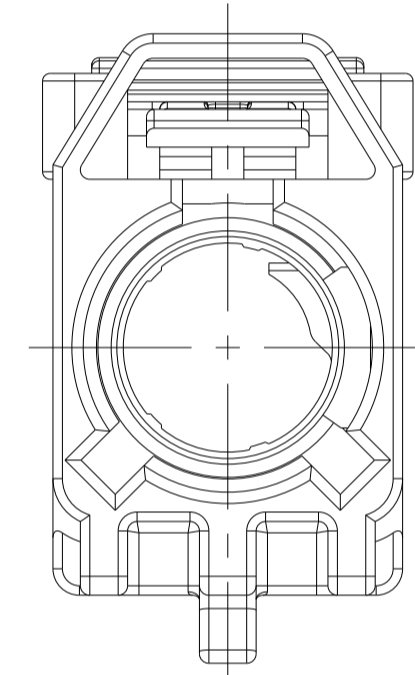
DETAIL G
SCALE 5:1



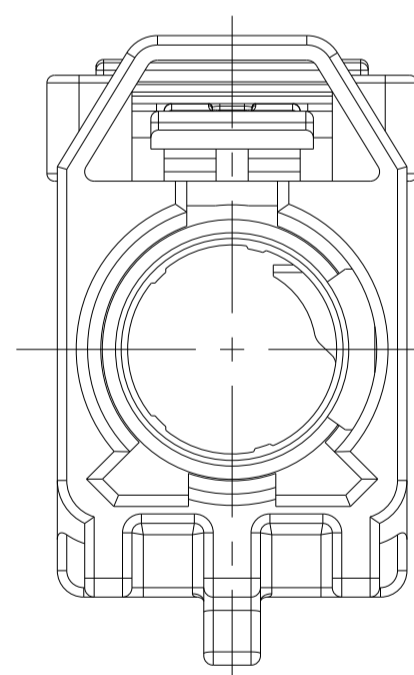
DETAIL H
SCALE 5:1



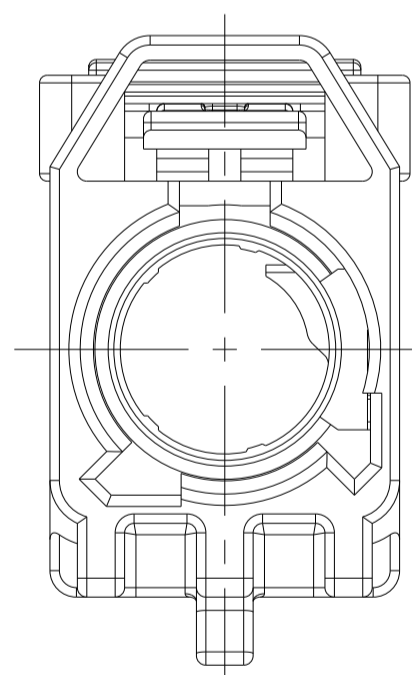
DETAIL I
SCALE 5:1



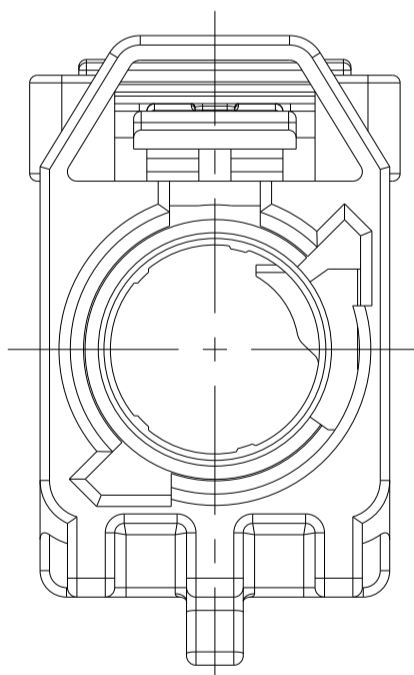
DETAIL K
SCALE 5:1



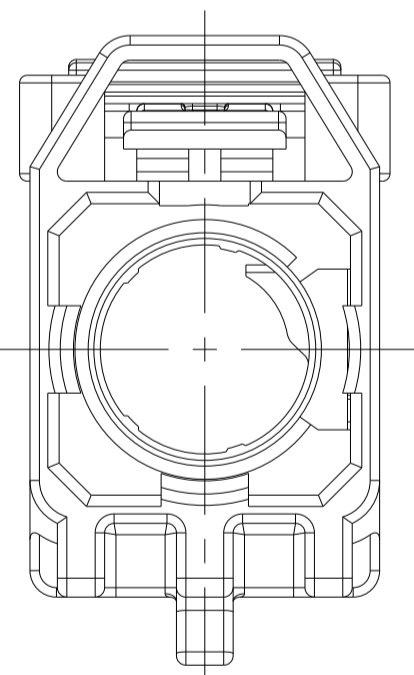
DETAIL L
SCALE 5:1



DETAIL M
SCALE 5:1



DETAIL N
SCALE 5:1



DETAIL Z
SCALE 5:1

THIS DRAWING IS A CONTROLLED DOCUMENT.

DIMENSIONS:	TOLERANCES UNLESS OTHERWISE SPECIFIED:	OWN: J. SHIRK 07JUL2019	
mm	0 PLC ±	CHK: N. EVANS 07JUL2019	
	1 PLC ±	APVD: N. EVANS 07JUL2019	
	2 PLC ±	NAME: FEMALE HOUSING, CLIP SLOT, 1 POSITION, FAKRA	
MATERIAL:	FINISH	PRODUCT SPEC: 108-32137	RESTRICTED TO:
		APPLICATION SPEC: 114-32145	SIZE: A1
		WEIGHT: -	CAGE CODE: -
		CUSTOMER DRAWING	DRAWING NO: C=2345654
			SCALE: 8:1
			SHEET 2 OF 2
			REV: A2