



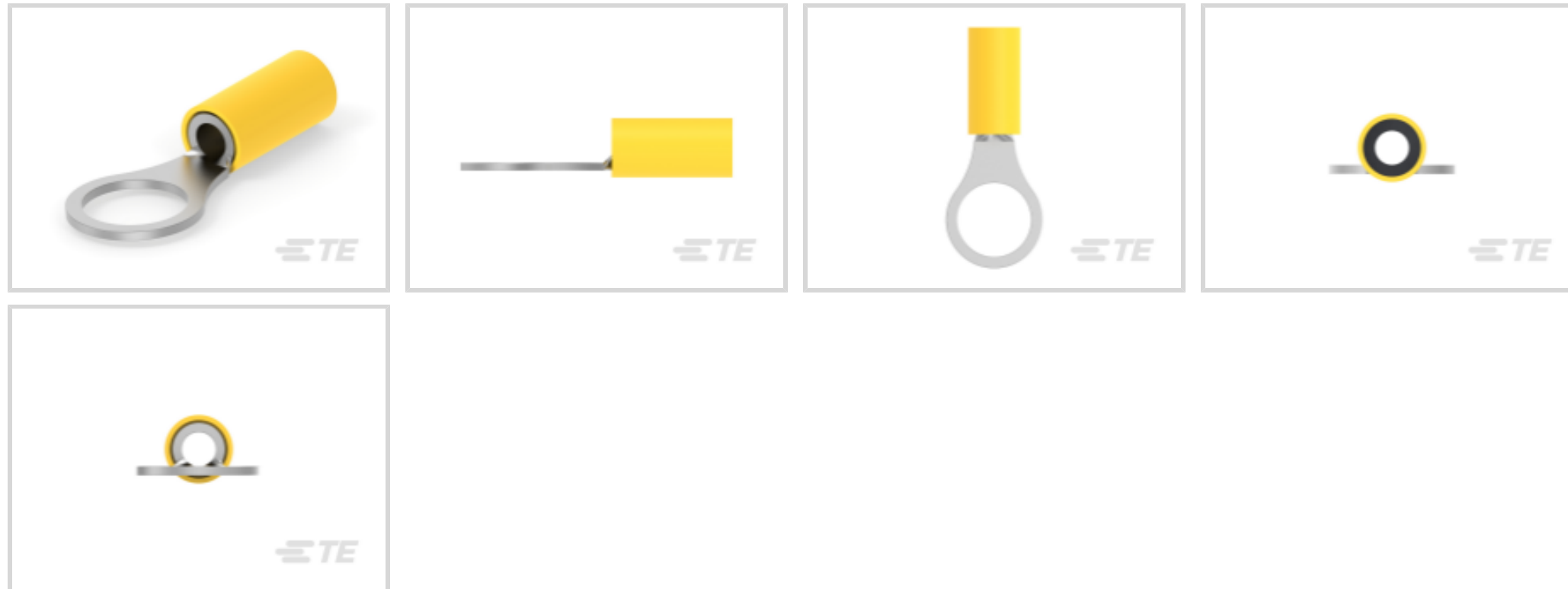
**PIDG**

TE Internal #: 130207

Closed Ring Tongue Terminal, 12 – 10 AWG, M10 Stud Size, 10.3 mm [.406 in] Stud Diameter, Closed Barrel, Straight, Tin, Partially Insulated, PIDG

[View on TE.com >](#)

Terminals & Splices > Ring Terminals



Ring Terminal Product Type: **Closed Ring Tongue Terminal**

Wire Size: **5180 – 13100 CMA**

Stud Size: **M10**

**Features**

**Product Type Features**

Ring Terminal Product Type	Closed Ring Tongue Terminal
Stud Size	M10
Sealable	No
Wire Insulation Support Retention Type	Non-Insulation Support

**Dimensions**

Wire Size	5180 – 13100 CMA
Stud Diameter	10.3 mm [.406 in]
Tongue Thickness	.79 mm [.031 in]
Product Length	33.8 mm [1.331 in]
Compatible Insulation Diameter (Max)	6.4 mm [.252 in]
Compatible Insulation Diameter Range	3.8 – 6.4 mm [.15 – .252 in]

**Contact Features**

Barrel Type	Closed
Terminal Orientation	Straight
Terminal Plating Material	Tin



### Usage Conditions

Insulation Option	Partially Insulated
Operating Temperature Range	105 °C[221 °F]

### Operation/Application

Compatible With Wire Base Material	Copper
Compatible With Wire Plating Material	Tin

### Packaging Features

Packaging Method	Loose Piece
Packaging Quantity	500

### Other

EU RoHS Compliance	Compliant
EU ELV Compliance	Compliant

### Configuration Features

Number of Holes	1
-----------------	---

### Electrical Characteristics

Voltage Rating	300 V
----------------	-------

### Body Features

Insulation Sleeve Color	Yellow
Stripe Color	Yellow

### Mechanical Attachment

Wire Insulation Support	With
-------------------------	------

### Industry Standards

Government Qualified Terminal	No
-------------------------------	----

### Product Compliance

[For compliance documentation, visit the product page on TE.com>](#)

EU RoHS Directive 2011/65/EU	Compliant
EU ELV Directive 2000/53/EC	Compliant
China RoHS 2 Directive MIIT Order No 32, 2016	No Restricted Materials Above Threshold
EU REACH Regulation (EC) No. 1907/2006	Current ECHA Candidate List: JUNE 2024 (241) Candidate List Declared Against: JUNE 2024 (241)



Does not contain REACH SVHC

Halogen Content

Low Halogen - Br, Cl, F, I < 900 ppm per homogenous material. Also BFR/CFR/PVC Free

Solder Process Capability

Not applicable for solder process capability

Product Compliance Disclaimer

This information is provided based on reasonable inquiry of our suppliers and represents our current actual knowledge based on the information they provided. This information is subject to change. The part numbers that TE has identified as EU RoHS compliant have a maximum concentration of 0.1% by weight in homogenous materials for lead, hexavalent chromium, mercury, PBB, PBDE, DBP, BBP, DEHP, DIBP, and 0.01% for cadmium, or qualify for an exemption to these limits as defined in the Annexes of Directive 2011/65/EU (RoHS2). Finished electrical and electronic equipment products will be CE marked as required by Directive 2011/65/EU. Components may not be CE marked. Additionally, the part numbers that TE has identified as EU ELV compliant have a maximum concentration of 0.1% by weight in homogenous materials for lead, hexavalent chromium, and mercury, and 0.01% for cadmium, or qualify for an exemption to these limits as defined in the Annexes of Directive 2000/53/EC (ELV). Regarding the REACH Regulation, the information TE provides on SVHC in articles for this part number is based on the latest European Chemicals Agency (ECHA) 'Guidance on requirements for substances in articles' posted at this URL: <https://echa.europa.eu/guidance-documents/guidance-on-reach>

## Compatible Parts



TE Part # 679300-1  
1210 PIDG CRIMP HEAD



TE Part # 59824-1  
TETRA-CRIMP PIDG PG FASTON 22-10 ASSY



TE Part # 58433-3  
PRO CR ASSY, RBY IS9252



TE Part # 59239-4  
HHHT PIDG PG 12-10 ASSY




TE Part # 539691-2  
ERGO DIE R.B.Y



TE Part # 58423-1  
DIE, RBY IS9252



TE Part # 2063030-1  
SDE DIESET, RBY, UL



TE Part # 2217330-1  
KIT, BTLI, 4 TON, NA



TE Part # 2217330-2  
KIT, BTLI, 4 TON, EU



TE Part # 47808-6  
DIES PIDG 12-10 DIE SET

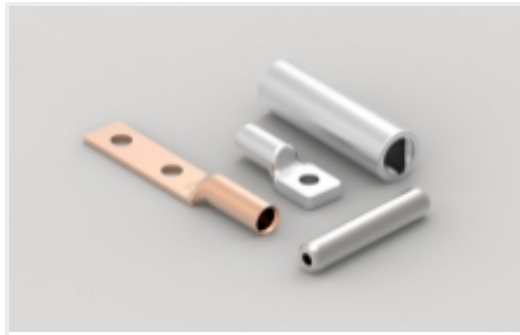


TE Part # 169400  
CERTI-LOK FRAME W/O DIES

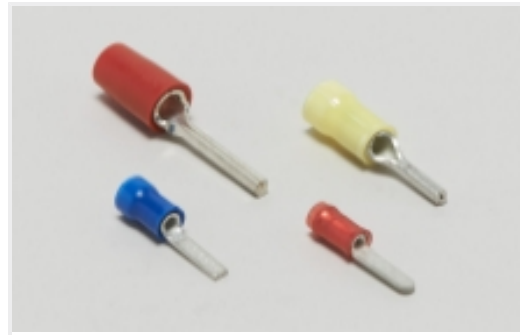


TE Part # 169404  
CERTI-LOK DIE

## Also in the Series | PIDG



Compression Connectors(17)



Crimp Wire Pins, Tabs & Ferrules(41)



Hand Crimping Tools(2)



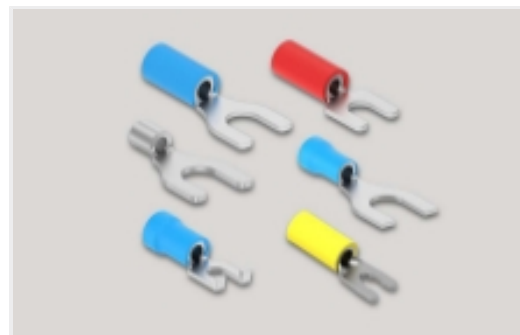
Knife Disconnects(11)



Quick Disconnects(32)



Ring Terminals(588)



Spade Terminals(228)



Special Purpose Terminals(1)



Splices(39)

## Customers Also Bought



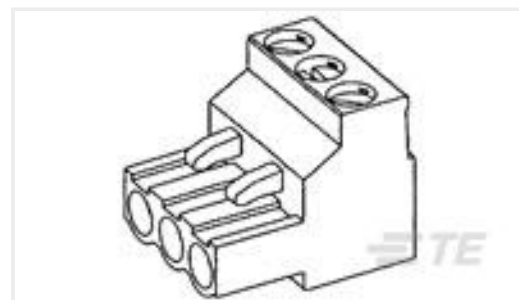
TE Part #34151  
PG R 22-16 COMM 22-18 MIL 5/16



TE Part #770030-1  
15P UMNLI IN-LINE CAP HSG KIT



TE Part #165028  
PIDG RING 12-10 6MM



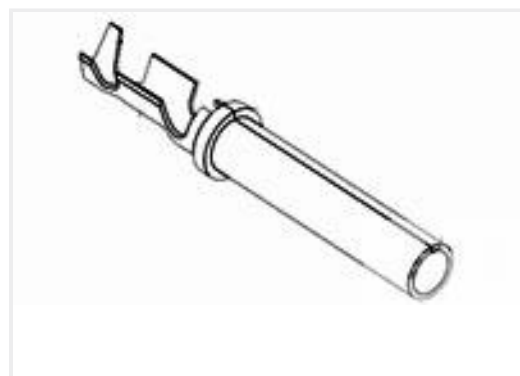
TE Part #282809-4  
TERMI-BLOK PLUG STACKING 4P.10



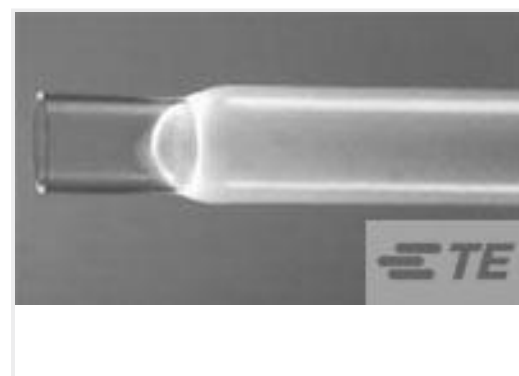
TE Part #320575  
PIDG Ring Tongue Terminals



TE Part #1241394-2  
AMP MCP 2.8K, CONTACT, SWS



TE Part #1924464-1  
SOC, SF, SIZE 16, 18-20 AWG, AU/SN



TE Part #5960024039  
TFER-1/8-X-SP



## Documents

### Product Drawings

[PIDG, R, 12-10, M10](#)

English

### CAD Files

Customer View Model

[ENG\\_CVM\\_CVM\\_130207\\_M.2d\\_dxf.zip](#)

English

[3D PDF](#)

3D

Customer View Model

[ENG\\_CVM\\_CVM\\_130207\\_M.3d\\_igs.zip](#)

English

Customer View Model

[ENG\\_CVM\\_CVM\\_130207\\_M.3d\\_stp.zip](#)

English

By downloading the CAD file I accept and agree to the [Terms and Conditions](#) of use.