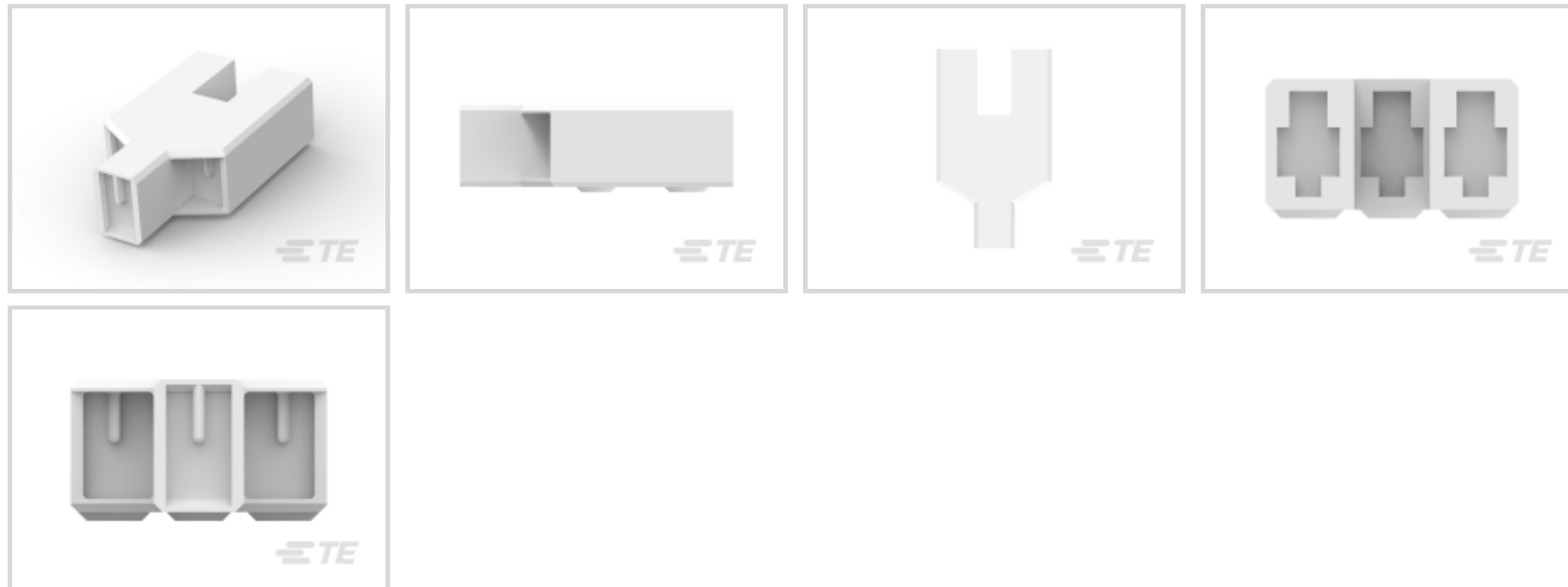




TE Internal #: 2232326-2  
 3 Circuits, PA6 GF, 22 – 10 AWG Wire Size, .326 – 5.26 mm<sup>2</sup> Wire Size, -20 – 120 °C [-4 – 248 °F], Cluster Blocks

[View on TE.com >](#)

Terminals & Splices > Terminal Housings, Insulation Sleeves & Blocks > Cluster Blocks



Number of Circuits: 3

Primary Product Material: PA6 GF

Wire Size: .326 – 5.26 mm<sup>2</sup>

Operating Temperature Range: -20 – 120 °C [-4 – 248 °F]

## Features

### Configuration Features

Number of Circuits	3
--------------------	---

### Body Features

Primary Product Material	PA6 GF
Primary Product Color	Natural

### Dimensions

Wire Size	.326 – 5.26 mm <sup>2</sup>
Product Length	30.5 mm[1.2 in]

### Usage Conditions

Operating Temperature Range	-20 – 120 °C[-4 – 248 °F]
-----------------------------	---------------------------

### Other

EU RoHS Compliance	Compliant
EU ELV Compliance	Compliant

### Product Type Features

Compatible With Discrete Wire Type	Lead Wire
------------------------------------	-----------

### Contact Features

--	--



Mating Pin Diameter	2.29 mm[.09 in]
---------------------	-----------------

**Packaging Features**

Packaging Method	Bag
Packaging Quantity	500

**Product Compliance**

[For compliance documentation, visit the product page on TE.com>](#)

EU RoHS Directive 2011/65/EU	Compliant
EU ELV Directive 2000/53/EC	Compliant
China RoHS 2 Directive MIIT Order No 32, 2016	No Restricted Materials Above Threshold
EU REACH Regulation (EC) No. 1907/2006	Current ECHA Candidate List: JUNE 2024 (241) Candidate List Declared Against: JUNE 2024 (241) Does not contain REACH SVHC
Halogen Content	Not Low Halogen - contains Br or Cl > 900 ppm.
Solder Process Capability	Not reviewed for solder process capability

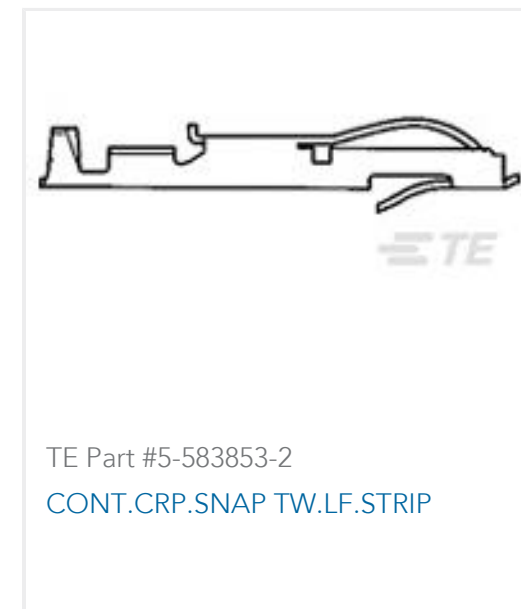
Product Compliance Disclaimer

This information is provided based on reasonable inquiry of our suppliers and represents our current actual knowledge based on the information they provided. This information is subject to change. The part numbers that TE has identified as EU RoHS compliant have a maximum concentration of 0.1% by weight in homogenous materials for lead, hexavalent chromium, mercury, PBB, PBDE, DBP, BBP, DEHP, DIBP, and 0.01% for cadmium, or qualify for an exemption to these limits as defined in the Annexes of Directive 2011/65/EU (RoHS2). Finished electrical and electronic equipment products will be CE marked as required by Directive 2011/65/EU. Components may not be CE marked. Additionally, the part numbers that TE has identified as EU ELV compliant have a maximum concentration of 0.1% by weight in homogenous materials for lead, hexavalent chromium, and mercury, and 0.01% for cadmium, or qualify for an exemption to these limits as defined in the Annexes of Directive 2000/53/EC (ELV). Regarding the REACH Regulation, the information TE provides on SVHC in articles for this part number is based on the latest European Chemicals Agency (ECHA) 'Guidance on requirements for substances in articles' posted at this URL: <https://echa.europa.eu/guidance-documents/guidance-on-reach>

**Compatible Parts**



**Customers Also Bought**



## Documents

### Product Drawings

[CLUSTER BLOCK HSG .090 DIA](#)

English

### CAD Files

[3D PDF](#)

3D

Customer View Model

[ENG\\_CVM\\_CVM\\_2232326-2\\_B.2d\\_dxf.zip](#)

English

Customer View Model

[ENG\\_CVM\\_CVM\\_2232326-2\\_B.3d\\_igs.zip](#)

English

Customer View Model

[ENG\\_CVM\\_CVM\\_2232326-2\\_B.3d\\_stp.zip](#)

English

By downloading the CAD file I accept and agree to the [Terms and Conditions](#) of use.

### Product Specifications



### Application Specification

English

---

### Agency Approvals

#### CSA Certificate

English