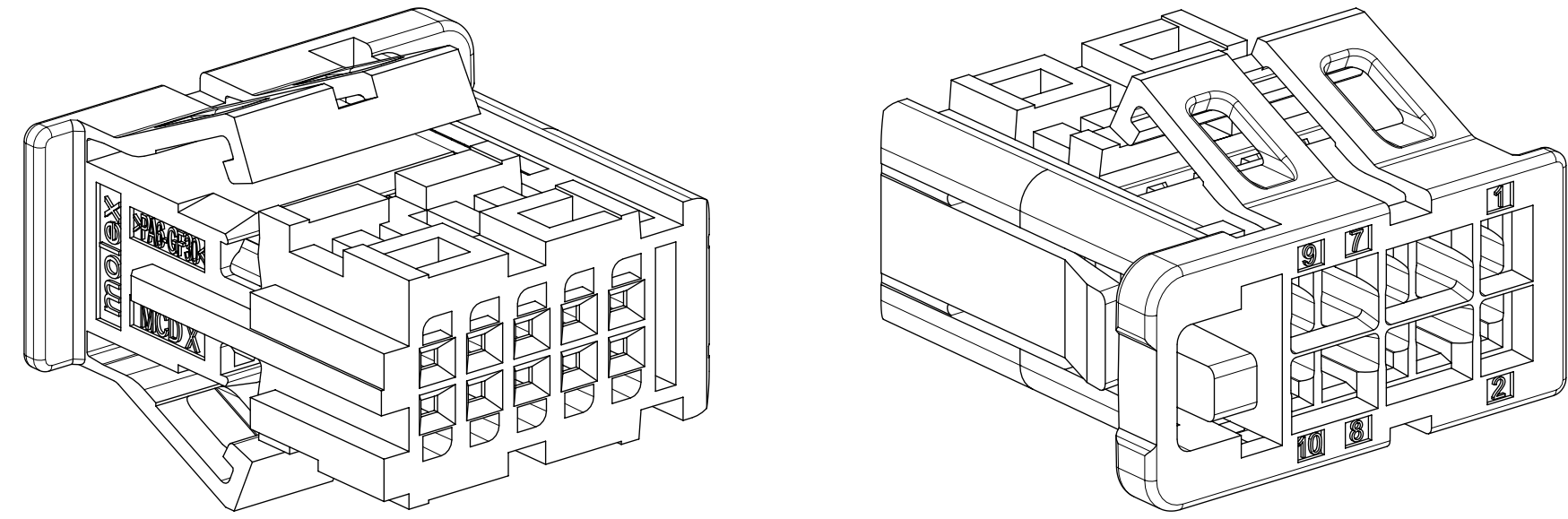
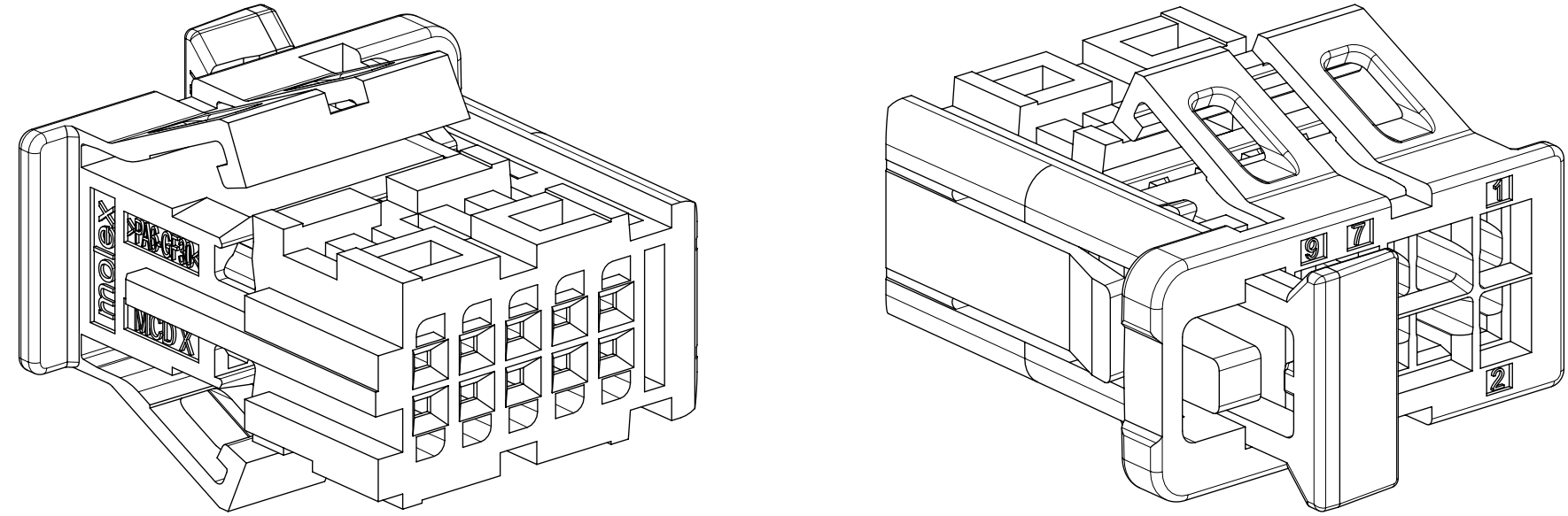


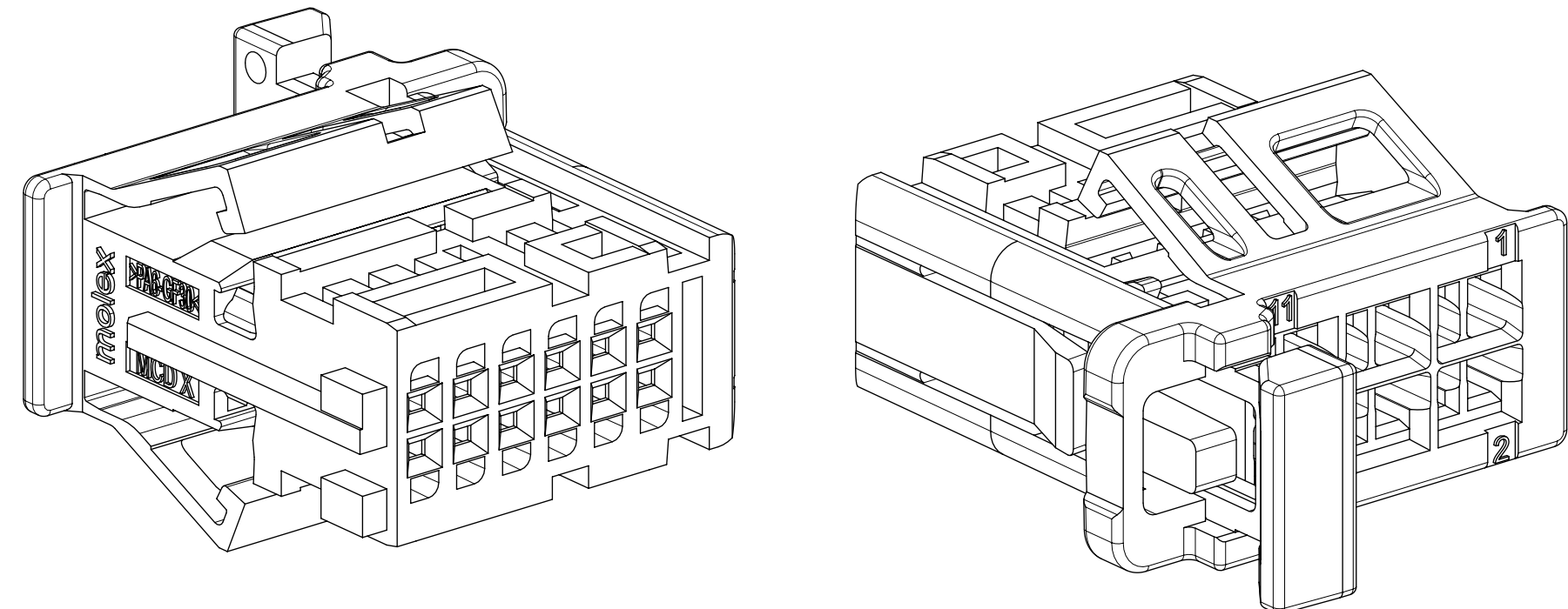
RECEPTACLE ONLY 10CKT SHOWN:



RECEPTACLE WITH LARGE CPA 10CKT SHOWN, 8 USABLE CIRCUITS



RECEPTACLE WITH SMALL CPA 12CKT SHOWN, 12 USABLE CIRCUITS



CIRCUIT SIZE	DIM A	DIM B	DIM C	KEY	COLOR	RECEPTACLE ONLY			RECEPTACLE WITH LARGE CPA			RECEPTACLE WITH SMALL CPA				
						PART NUMBER	USABLE CIRCUITS	WEIGHT (g)	PART NUMBER	USABLE CIRCUITS	WEIGHT (g)	PART STATUS	PART NUMBER	USABLE CIRCUITS	WEIGHT (g)	PART STATUS
10	15.96	12.88	2.90	A	BLACK	2058252101	10	1.01	2058264081	8	1.12	AVAILABLE	2058262101	10	1.11	AVAILABLE
				B	NATURAL	2058252102	10	1.01					2058262102	10	1.11	
				C	BLUE	2058252103	10	1.01					2058262103	10	1.11	
				D	VIOLET	2058252104	10	1.01					2058262104	10	1.11	
12	17.76	14.68	3.80	A	BLACK	2058252121	12	1.13	N/A	N/A	N/A	N/A	2058262121	12	1.23	AVAILABLE
				B	NATURAL	2058252122	12	1.13					2058262122	12	1.23	
				C	BLUE	2058252123	12	1.13					2058262123	12	1.23	
				D	VIOLET	2058252124	12	1.13					2058262124	12	1.23	
16	21.36	18.28	5.60	A	BLACK	2058252161	16	1.38	N/A	N/A	N/A	N/A	2058262161	16	1.49	AVAILABLE
				B	NATURAL	2058252162	16	1.38					2058262162	16	1.49	
				C	BLUE	2058252163	16	1.38					2058262163	16	1.49	
				D	VIOLET	2058252164	16	1.38					2058262164	16	1.49	
18	23.16	20.08	6.50	A	BLACK	2058252181	18	1.51	N/A	N/A	N/A	N/A	2058262181	18	1.62	AVAILABLE
				B	NATURAL	2058252182	18	1.51					2058262182	18	1.62	
				C	BLUE	2058252183	18	1.51					2058262183	18	1.62	
				D	VIOLET	2058252184	18	1.51					2058262184	18	1.62	
22	26.76	23.68	8.30	A	BLACK	2058252221	22	1.85	2058264201	20	1.96	AVAILABLE	2058262221	22	1.95	AVAILABLE
				B	NATURAL	2058252222	22	1.85	2058264202	20	1.96		2058262222	22	1.95	
				C	BLUE	2058252223	22	1.85	2058264203	20	1.96		2058262223	22	1.95	
				D	VIOLET	2058252224	22	1.85	2058264204	20	1.96		2058262224	22	1.95	

NOTES:

VALID UNLESS OTHERWISE SPECIFIED

1. GENERAL:

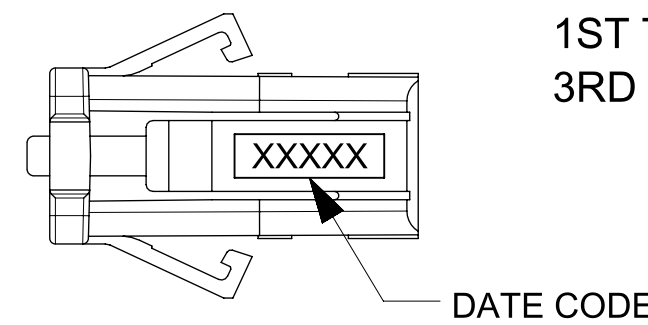
- 1.1 APPLICATION SPECIFICATION SEE: 2046310000-AS
- 1.2 PRODUCT SPECIFICATION SEE: 2046310000-PS
- 1.3 PACKAGING SPECIFICATION PER MOLEX DRAWING: PK-31301-695
- 1.4 COMPATIBLE WITH STANDARD AK INTERFACE DRAWING C-114-94000-20 REV A1
- 1.5 COMPATIBLE WITH MOLEX AK INTERFACE 2046310002
- 1.6 TOLERANCES APPLY IN DRY AS MOLDED STATE ONLY

2. DESIGN - MATERIALS:

- 2.1 RECEPTACLE HOUSING:
 - a. MATERIAL: PA6-GF30%
 - b. COLOR: SEE PART TABLE
- 2.2 CPA
 - a. MATERIAL: PA6-GF30%
 - b. COLOR: RED

3. DESIGN - GEOMETRY:

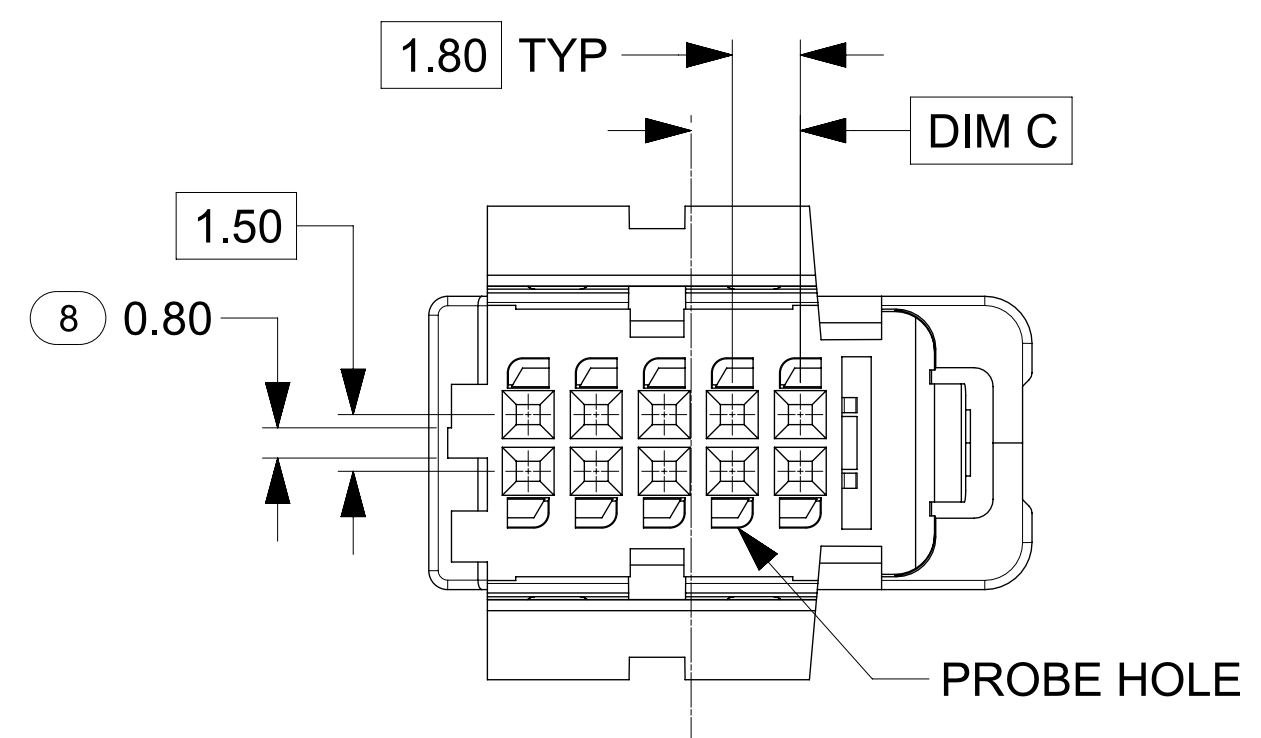
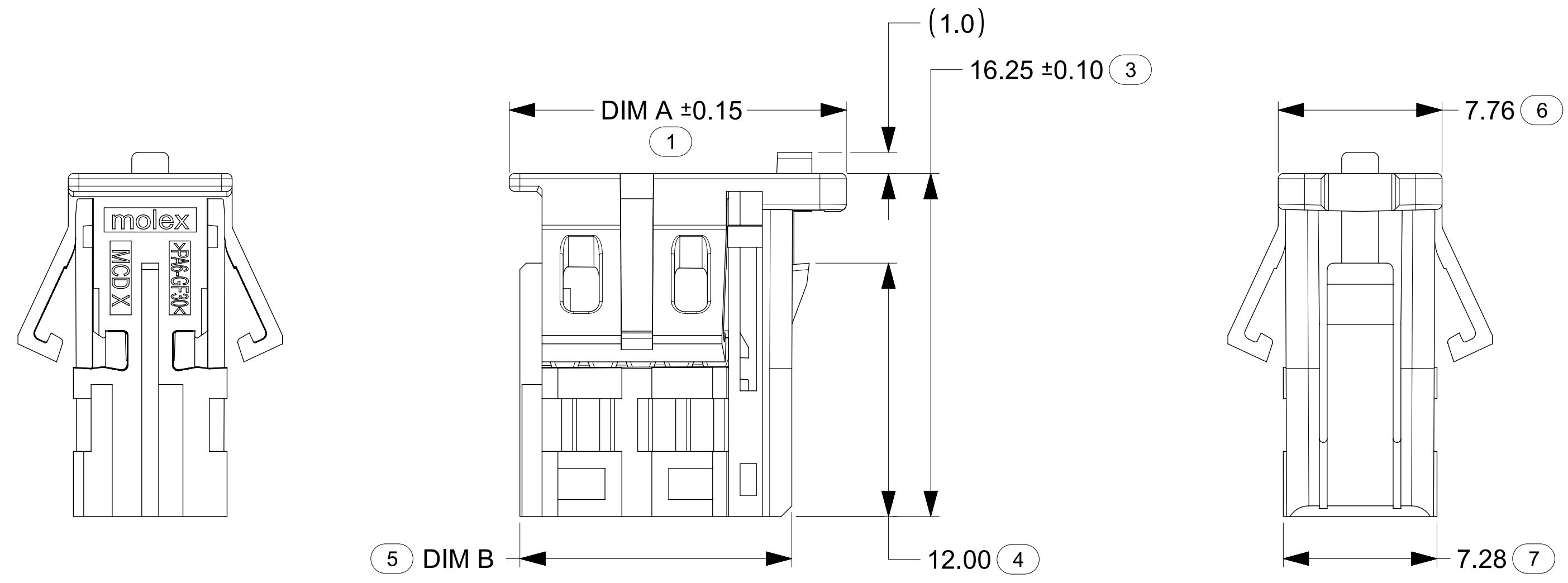
- 3.1 GEOMETRIC DIMENSIONS AND TOLERANCES PER ASME Y14.5-2018
- 3.2 EDGES AND UNDIMENSIONED DETAILS PER ISO13715
- 3.3 CORNERS SHOWN AS SHARP TO BE R 0.2 MAX.
- 3.4 MARKED TEXT TO INCLUDE:
 - a. FOR RECEPTACLE COMPONENT: RECYCLING CODE, CAVITY ID, AND VENDOR IDENTIFICATION.
 - b. FOR ASSEMBLY ONLY: LASER ETCHED DATE CODE
1ST THROUGH 2ND DIGIT = CALENDAR YEAR
3RD THROUGH 5TH DIGIT = "DAY #" OF YEAR



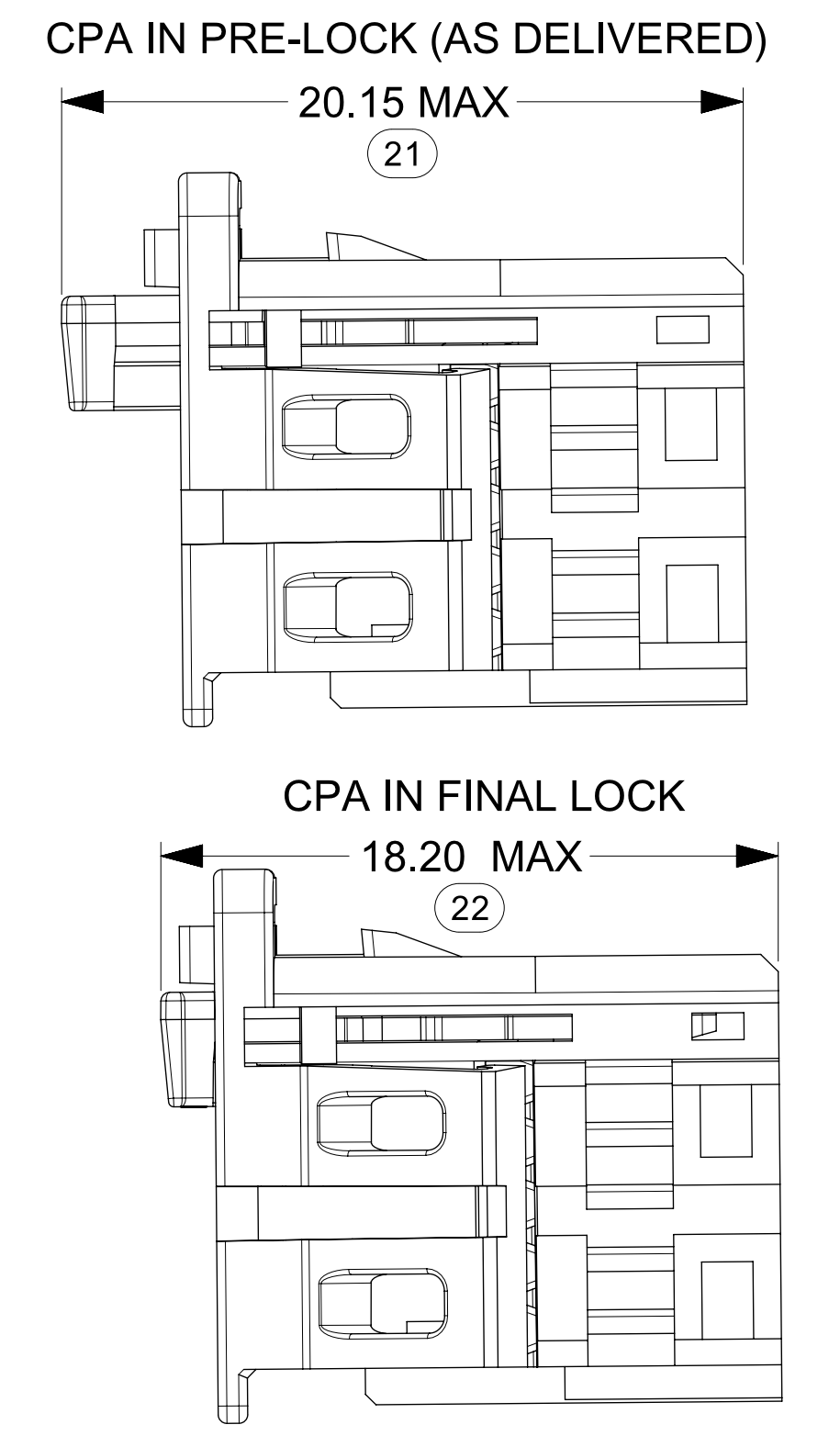
B6	UPDATED FOR 10CKT/18CKT/22CKT STATUS WITH AVAILABLE
B5	SHEET 1 ADDED WEIGHTS TO BOM TABLE
B4	UPDATED FOR 10CKT/22CKT WITH SMALL CPA
B3	UPDATED FOR SMALL CPA & 12/16CKT
B2	CHANGED COLOR OF KEY B FROM GREY TO NATURAL IN THE BOM TABLE
B1	ADDED NOTE 1.7; INTERNAL GEOMETRY CHANGES; REMOVED DIM 2
B	RAISED LATCH PAD ADDED; CPA MAX DIMENSIONS ADJUSTED; BALLOON NUMBERS ADDED; NOTES MODIFIED; CPA COLOR CHANGE
A5	NON FUNCTIONAL CHANGES
REV	DESCRIPTION

FUNCTIONAL SYMBOLS FA = 0 FE = 0 FP = 0	THIS DRAWING CONTAINS INFORMATION THAT IS PROPRIETARY TO MOLEX ELECTRONIC TECHNOLOGIES, LLC AND SHOULD NOT BE USED WITHOUT WRITTEN PERMISSION	SCALE 5:1	CURRENT REV DESC: Update 10/18/22w status and part weight											
	DIMENSION UNITS MM	GENERAL TOLERANCES (UNLESS SPECIFIED) ANGULAR TOL ± 0.5°			STATUS: Production DRWN: Kenneth Dai CHK'D: Nick Wang APPR: Ringo Hu									
DIVISIONAL SYMBOLS	4 PLACES ±	3 PLACES ±	2 PLACES ±	1 PLACE ±	0 PLACES ±	THIRD ANGLE PROJECTION DRAWING SERIES D-SIZE 205825	2025-10-19 2025-12-02 2025-12-04	DOCUMENT NUMBER 2058250002	DOC TYPE PSD	DOC PART 000	REVISION B6	MATERIAL NUMBER SEE NOTES	CUSTOMER GENERAL MARKET	SHEET NUMBER 1 OF 2

INSPECTION BALLOON NUMBER LOG PER DRAWING REVISION: B5
LAST BALLOON USED: 24
ADDED BALLOON NUMBERS: 23, 24
REMOVED BALLOON NUMBERS:

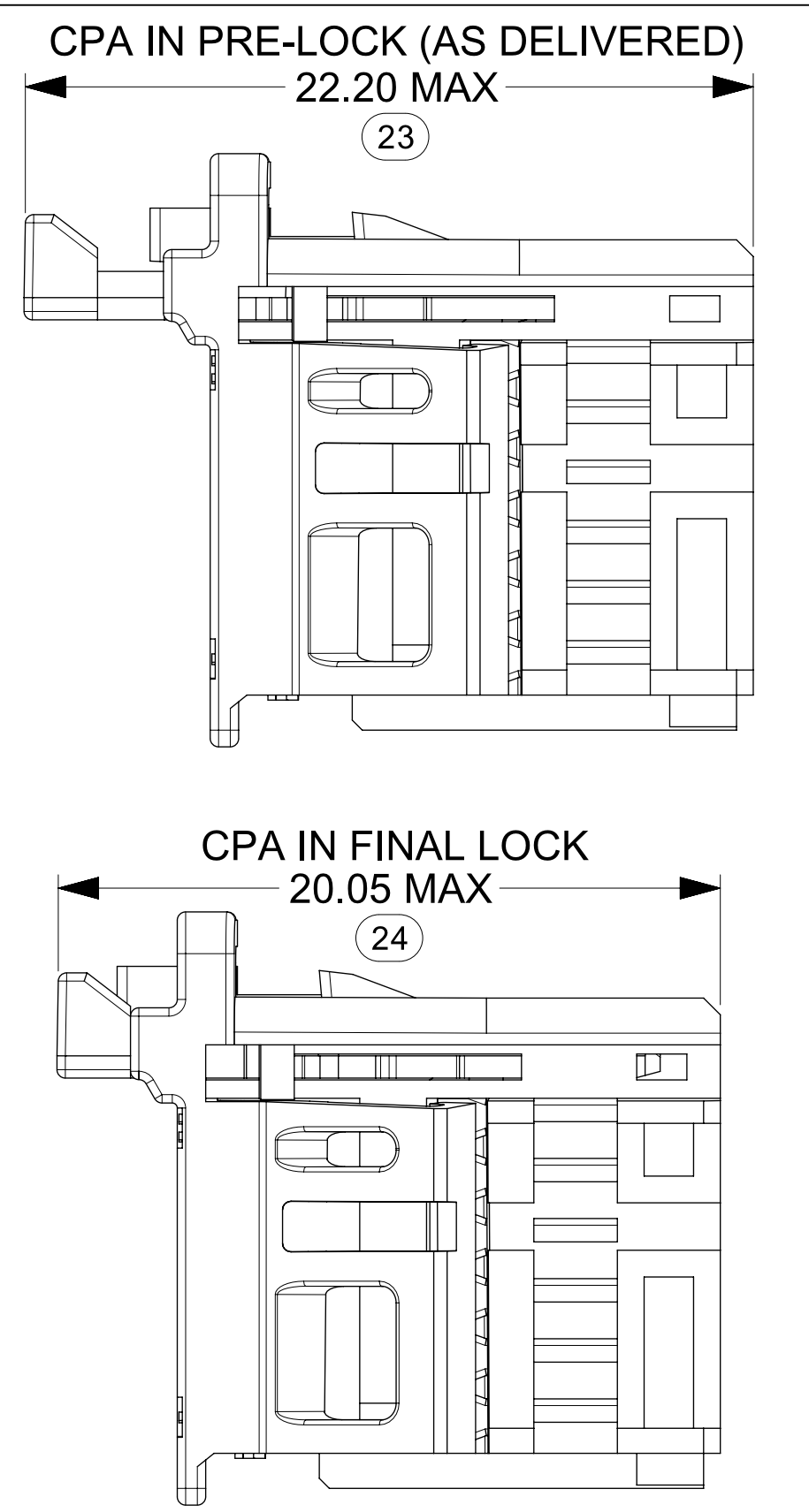


LARGE CPA:



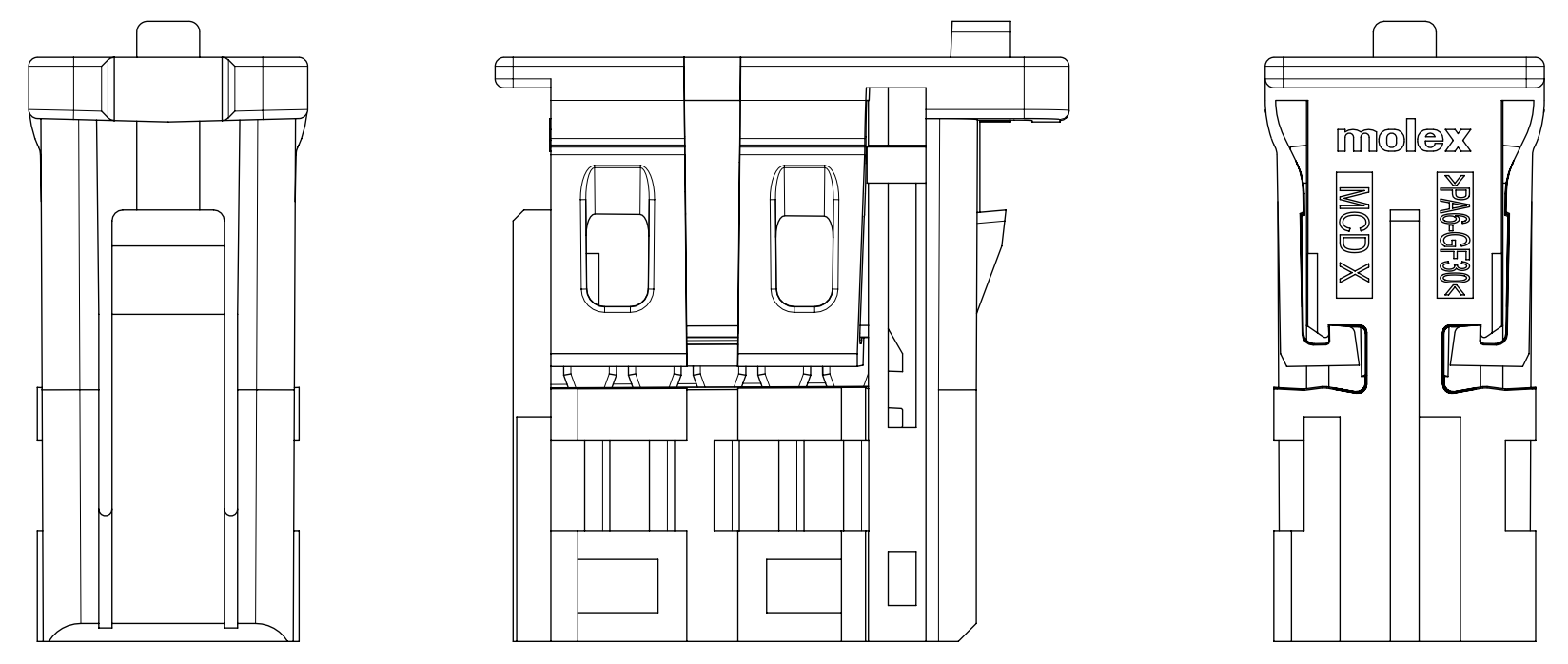
NOTE: 2 CIRCUITS UNAVAILABLE WHEN LARGE CPA IS USED

SMALL CPA:

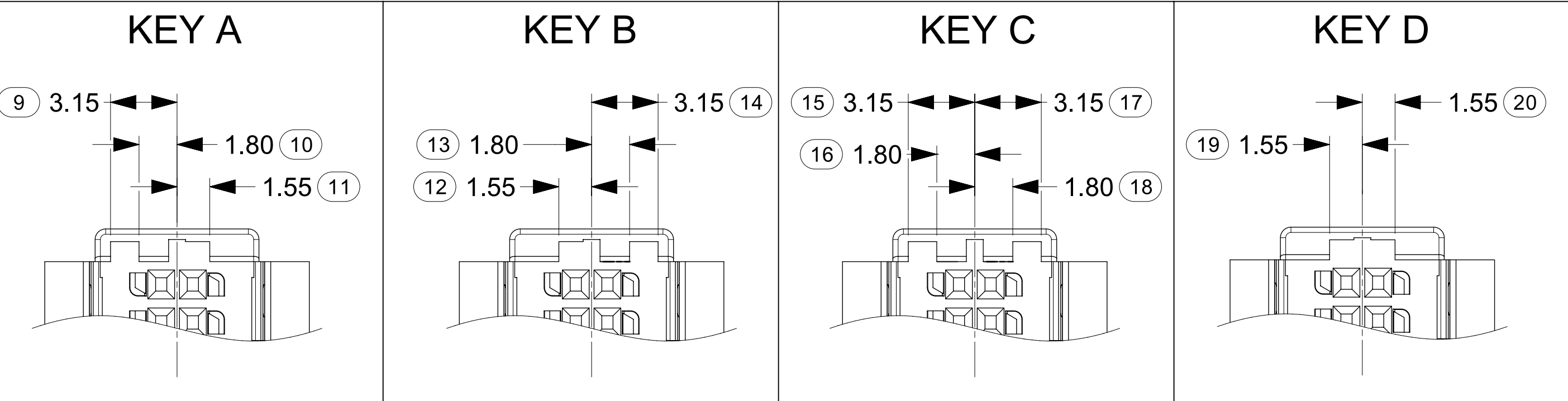


NOTE: ALL CIRCUITS AVAILABLE WHEN SMALL CPA IS USED

ISL IN FINAL LOCK



KEYS / POLARIZATIONS / CODINGS



FUNCTIONAL SYMBOLS $F_A = 0$ $F_C = 0$ $F_D = 0$ DIVISIONAL SYMBOLS	THIS DRAWING CONTAINS INFORMATION THAT IS PROPRIETARY TO MOLEX ELECTRONIC TECHNOLOGIES, LLC AND SHOULD NOT BE USED WITHOUT WRITTEN PERMISSION		DIMENSION UNITS: MM SCALE: 5:1		CURRENT REV DESC: Update 10/18/22w status and part weight
	GENERAL TOLERANCES (UNLESS SPECIFIED)				
	ANGULAR TOL $\pm 0.5^\circ$		4 PLACES \pm		
	3 PLACES \pm		2 PLACES \pm		
1 PLACE \pm		0 PLACES \pm			STATUS: Production DRWN: Kenneth Dai CHK'D: Nick Wang APPR: Ringo Hu
DRAFT WHERE APPLICABLE MUST REMAIN WITHIN DIMENSIONS		THIRD ANGLE PROJECTION		DRAWING: D-SIZE SERIES: 205825	2025-10-19 2025-12-02 2025-12-04
PRODUCT CUSTOMER DRAWING			DOCUMENT NUMBER: 2058250002		
CONNTAK50 DUAL ROW TANG RECEPTACLE RECEPTACLE/CPA ASSEMBLY			DOC TYPE: PSD DOC PART: 000 REVISION: B6		
MATERIAL NUMBER: SEE NOTES			CUSTOMER: GENERAL MARKET		
SHEET NUMBER: 2 OF 2			SHEET NUMBER: 2 OF 2		