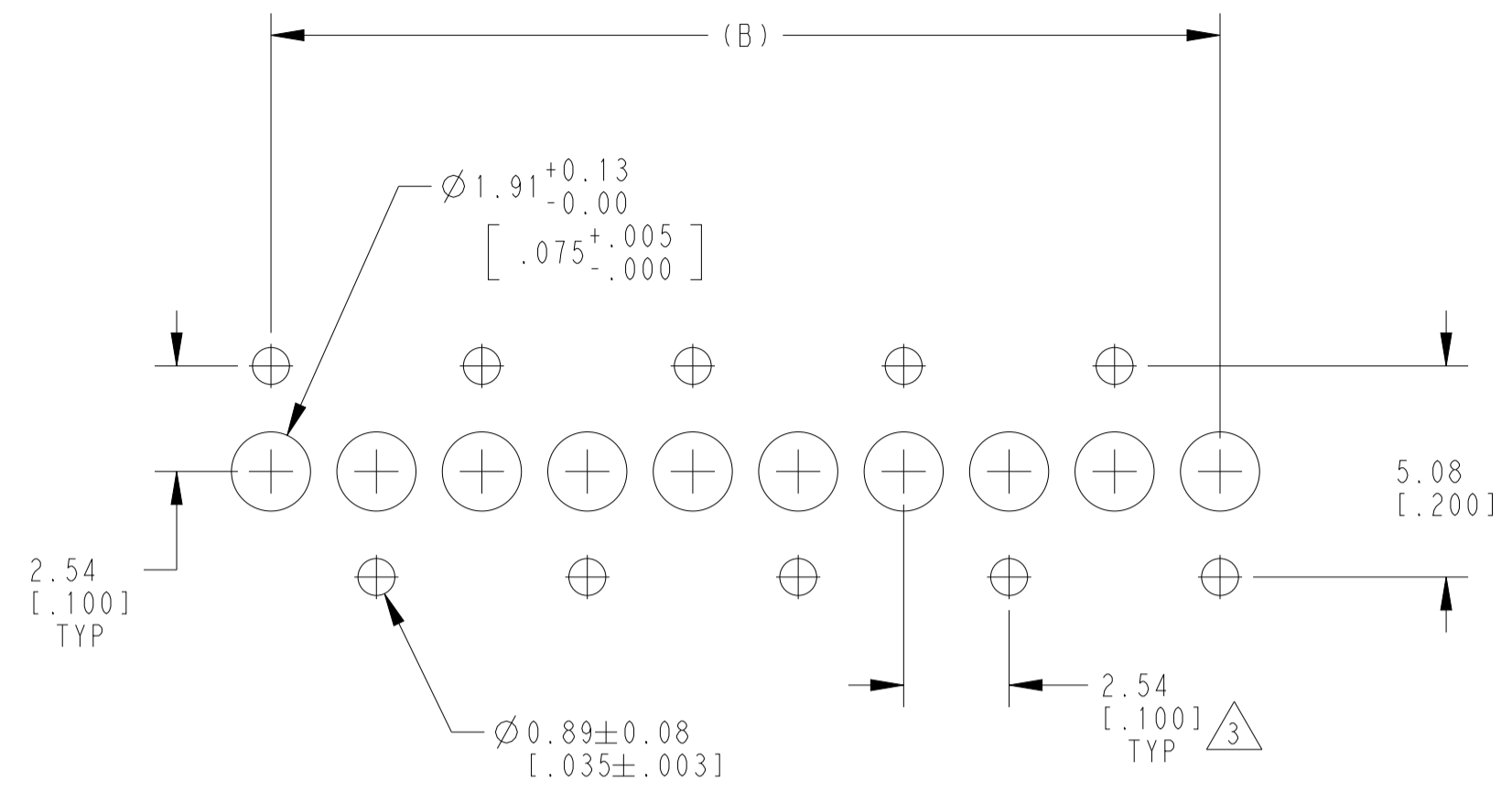
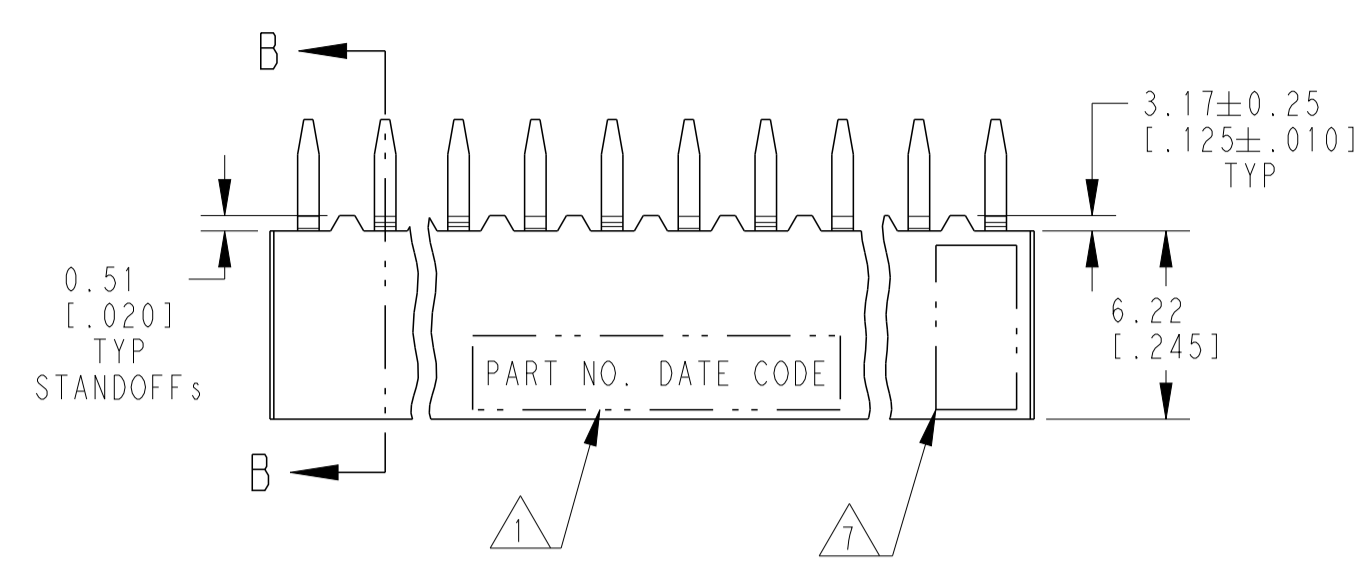
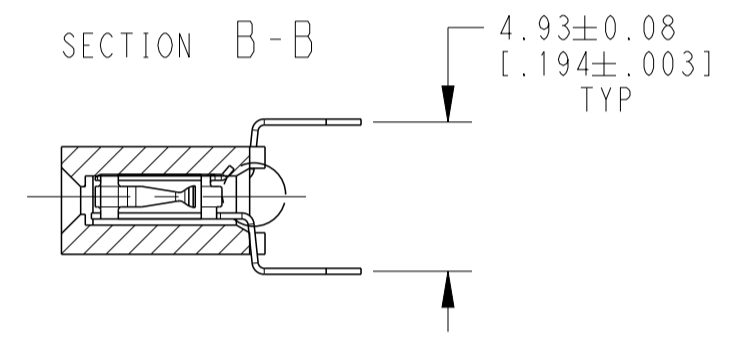
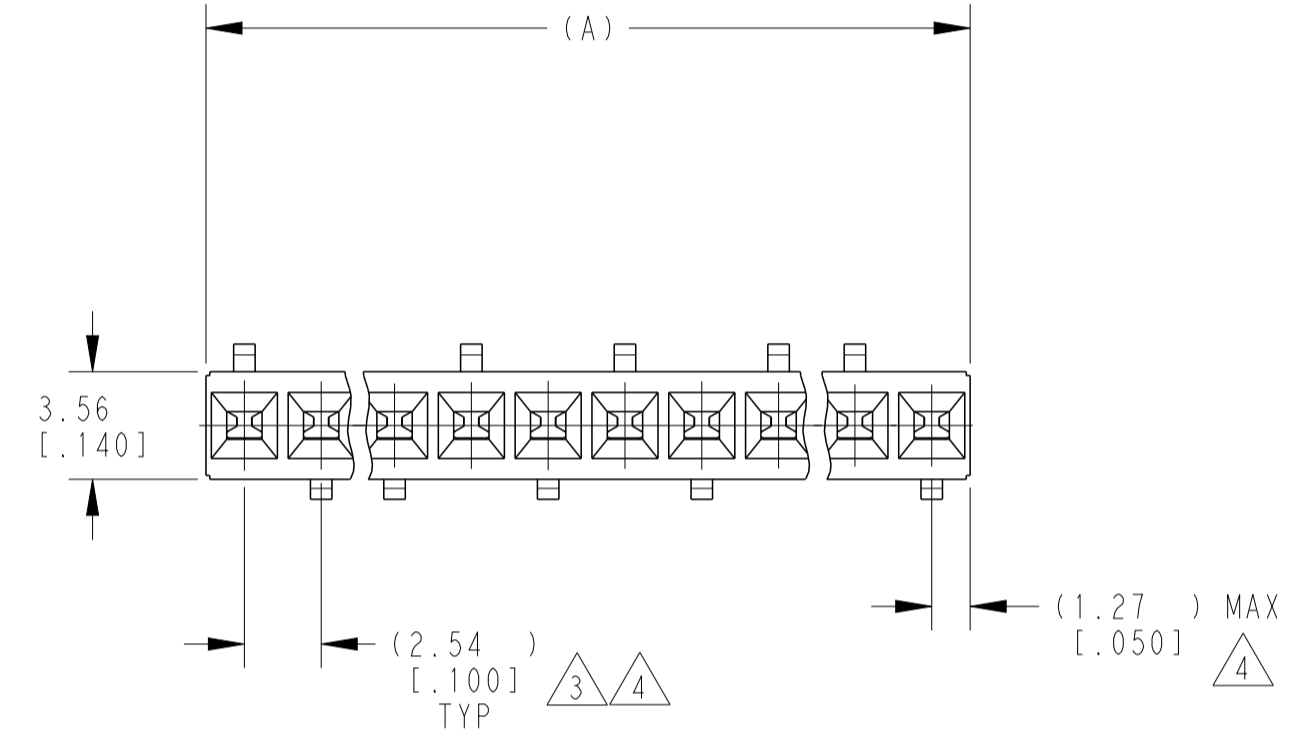


| REVISIONS | | | | |
|-----------|-----|--|-----------|----------|
| P | LTN | DESCRIPTION | DATE | OWN APVD |
| J1 | | REVISED PER ECN-24-280322 | 19AUG2024 | RK JD |
| K | | WIDTH OF STANDOFF FEATURE IS INCREASED TO 0.11 (0.028) | 23MAR2026 | LS GVP |



RECOMMENDED HOLE LAYOUT



- 1 MARK PART NUMBER AND DATE CODE IN APPROXIMATE LOCATION SHOWN, EITHER SIDE.
- 2 CONTACT FINISH: 0.00254-0.00508 [0.000100 - .000200] BRIGHT TIN-LEAD, OVER 0.00127 [0.000050] MIN NICKEL.
- 3 TOLERANCE NON CUMULATIVE.
- 4 THESE DIMENSIONS PERTAIN TO CAVITY CENTERLINES ONLY, NOT TO CONTACT LOCATION
- 5 HOUSING: FLAME RETARDANT, GLASS FILLED POLYESTER, BLACK. CONTACT: PHOSPHOR BRONZE.
- 6 FOR 2 POS. DATE CODE IS STAMPED OPPOSITE SIDE OF TE LOGO.
- 7 TE LOGO AND CSA LOGO ARE MOLDED INTO HOUSING.
- 8 NO PART NUMBER MARKING REQUIRED FOR THIS PART.
- 9 CONTACT FINISH: 0.00381-0.00758 [0.000150 - .000300] MATTE TIN, OVER 0.00127 [0.000050] MIN NICKEL.
- 10 ROHS 2002/95/EC COMPLIANT
- 11 SUPERSEDED BY 5-147727-4
- 12 SUPERSEDED BY 5-147727-8

| | | | | |
|----------|--------------|---------------|----|------------|
| OBSOLETE | 99.06[3.900] | 101.60[4.000] | 40 | 8-147727-9 |
| OBSOLETE | 96.52[3.800] | 99.06[3.900] | 39 | 8-147727-8 |
| OBSOLETE | 93.98[3.700] | 96.52[3.800] | 38 | 8-147727-7 |
| OBSOLETE | 91.44[3.600] | 93.98[3.700] | 37 | 8-147727-6 |
| OBSOLETE | 88.90[3.500] | 91.44[3.600] | 36 | 8-147727-5 |
| OBSOLETE | 86.36[3.400] | 88.90[3.500] | 35 | 8-147727-4 |
| OBSOLETE | 83.82[3.300] | 86.36[3.400] | 34 | 8-147727-3 |
| OBSOLETE | 81.28[3.200] | 83.82[3.300] | 33 | 8-147727-2 |
| OBSOLETE | 78.74[3.100] | 81.28[3.200] | 32 | 8-147727-1 |
| OBSOLETE | 76.20[3.000] | 78.74[3.100] | 31 | 8-147727-0 |
| OBSOLETE | 73.66[2.900] | 76.20[3.000] | 30 | 7-147727-9 |
| OBSOLETE | 71.12[2.800] | 73.66[2.900] | 29 | 7-147727-8 |
| OBSOLETE | 68.58[2.700] | 71.12[2.800] | 28 | 7-147727-7 |
| OBSOLETE | 66.04[2.600] | 68.58[2.700] | 27 | 7-147727-6 |
| OBSOLETE | 63.50[2.500] | 66.04[2.600] | 26 | 7-147727-5 |
| OBSOLETE | 60.96[2.400] | 63.50[2.500] | 25 | 7-147727-4 |
| OBSOLETE | 58.42[2.300] | 60.96[2.400] | 24 | 7-147727-3 |
| OBSOLETE | 55.88[2.200] | 58.42[2.300] | 23 | 7-147727-2 |
| OBSOLETE | 53.34[2.100] | 55.88[2.200] | 22 | 7-147727-1 |
| OBSOLETE | 50.80[2.000] | 53.34[2.100] | 21 | 7-147727-0 |
| OBSOLETE | 48.26[1.900] | 50.80[2.000] | 20 | 6-147727-9 |
| OBSOLETE | 45.72[1.800] | 48.26[1.900] | 19 | 6-147727-8 |
| OBSOLETE | 43.18[1.700] | 45.72[1.800] | 18 | 6-147727-7 |
| OBSOLETE | 40.64[1.600] | 43.18[1.700] | 17 | 6-147727-6 |
| OBSOLETE | 38.10[1.500] | 40.64[1.600] | 16 | 6-147727-5 |
| OBSOLETE | 35.56[1.400] | 38.10[1.500] | 15 | 6-147727-4 |
| OBSOLETE | 33.02[1.300] | 35.56[1.400] | 14 | 6-147727-3 |
| OBSOLETE | 30.48[1.200] | 33.02[1.300] | 13 | 6-147727-2 |
| OBSOLETE | 27.94[1.100] | 30.48[1.200] | 12 | 6-147727-1 |
| OBSOLETE | 25.40[1.000] | 27.94[1.100] | 11 | 6-147727-0 |
| OBSOLETE | 22.86[.900] | 25.40[1.000] | 10 | 5-147727-9 |
| OBSOLETE | 20.32[.800] | 22.86[.900] | 9 | 5-147727-8 |
| OBSOLETE | 17.78[.700] | 20.32[.800] | 8 | 5-147727-7 |
| OBSOLETE | 15.24[.600] | 17.78[.700] | 7 | 5-147727-6 |
| OBSOLETE | 12.70[.500] | 15.24[.600] | 6 | 5-147727-5 |
| OBSOLETE | 10.16[.400] | 12.70[.500] | 5 | 5-147727-4 |
| OBSOLETE | 7.62[.300] | 10.16[.400] | 4 | 5-147727-3 |
| OBSOLETE | 5.08[.200] | 7.62[.300] | 3 | 5-147727-2 |
| OBSOLETE | 2.54[.100] | 5.08[.200] | 2 | 5-147727-1 |

| | | | | |
|----------|--------------|---------------|----|------------|
| OBSOLETE | 99.06[3.900] | 101.60[4.000] | 40 | 3-147727-9 |
| OBSOLETE | 96.52[3.800] | 99.06[3.900] | 39 | 3-147727-8 |
| OBSOLETE | 93.98[3.700] | 96.52[3.800] | 38 | 3-147727-7 |
| OBSOLETE | 91.44[3.600] | 93.98[3.700] | 37 | 3-147727-6 |
| OBSOLETE | 88.90[3.500] | 91.44[3.600] | 36 | 3-147727-5 |
| OBSOLETE | 86.36[3.400] | 88.90[3.500] | 35 | 3-147727-4 |
| OBSOLETE | 83.82[3.300] | 86.36[3.400] | 34 | 3-147727-3 |
| OBSOLETE | 81.28[3.200] | 83.82[3.300] | 33 | 3-147727-2 |
| OBSOLETE | 78.74[3.100] | 81.28[3.200] | 32 | 3-147727-1 |
| OBSOLETE | 76.20[3.000] | 78.74[3.100] | 31 | 3-147727-0 |
| OBSOLETE | 73.66[2.900] | 76.20[3.000] | 30 | 2-147727-9 |
| OBSOLETE | 71.12[2.800] | 73.66[2.900] | 29 | 2-147727-8 |
| OBSOLETE | 68.58[2.700] | 71.12[2.800] | 28 | 2-147727-7 |
| OBSOLETE | 66.04[2.600] | 68.58[2.700] | 27 | 2-147727-6 |
| OBSOLETE | 63.50[2.500] | 66.04[2.600] | 26 | 2-147727-5 |
| OBSOLETE | 60.96[2.400] | 63.50[2.500] | 25 | 2-147727-4 |
| OBSOLETE | 58.42[2.300] | 60.96[2.400] | 24 | 2-147727-3 |
| OBSOLETE | 55.88[2.200] | 58.42[2.300] | 23 | 2-147727-2 |
| OBSOLETE | 53.34[2.100] | 55.88[2.200] | 22 | 2-147727-1 |
| OBSOLETE | 50.80[2.000] | 53.34[2.100] | 21 | 2-147727-0 |
| OBSOLETE | 48.26[1.900] | 50.80[2.000] | 20 | 1-147727-9 |
| OBSOLETE | 45.72[1.800] | 48.26[1.900] | 19 | 1-147727-8 |
| OBSOLETE | 43.18[1.700] | 45.72[1.800] | 18 | 1-147727-7 |
| OBSOLETE | 40.64[1.600] | 43.18[1.700] | 17 | 1-147727-6 |
| OBSOLETE | 38.10[1.500] | 40.64[1.600] | 16 | 1-147727-5 |
| OBSOLETE | 35.56[1.400] | 38.10[1.500] | 15 | 1-147727-4 |
| OBSOLETE | 33.02[1.300] | 35.56[1.400] | 14 | 1-147727-3 |
| OBSOLETE | 30.48[1.200] | 33.02[1.300] | 13 | 1-147727-2 |
| OBSOLETE | 27.94[1.100] | 30.48[1.200] | 12 | 1-147727-1 |
| OBSOLETE | 25.40[1.000] | 27.94[1.100] | 11 | 1-147727-0 |
| OBSOLETE | 22.86[.900] | 25.40[1.000] | 10 | 147727-9 |
| OBSOLETE | 20.32[.800] | 22.86[.900] | 9 | 147727-8 |
| OBSOLETE | 17.78[.700] | 20.32[.800] | 8 | 147727-7 |
| OBSOLETE | 15.24[.600] | 17.78[.700] | 7 | 147727-6 |
| OBSOLETE | 12.70[.500] | 15.24[.600] | 6 | 147727-5 |
| OBSOLETE | 10.16[.400] | 12.70[.500] | 5 | 147727-4 |
| OBSOLETE | 7.62[.300] | 10.16[.400] | 4 | 147727-3 |
| OBSOLETE | 5.08[.200] | 7.62[.300] | 3 | 147727-2 |
| OBSOLETE | 2.54[.100] | 5.08[.200] | 2 | 147727-1 |

THIS DRAWING IS A CONTROLLED DOCUMENT.

OWN: M. BINNER 22JAN01
 CHG: J. OLSON 20MAY02
 APVD: J. OLSON 20MAY02

DIMENSIONS: mm [INCHES]

TOLERANCES UNLESS OTHERWISE SPECIFIED:
 0 PLC ±
 1 PLC ±
 2 PLC ±
 3 PLC ±
 4 PLC ±
 ANGLES ±

MATERIAL: SEE TABLE

FINISH: 3

WEIGHT: 114-25018

CUSTOMER DRAWING

NO OF POSN: B

PART NUMBER: A

SCALE: 4:1

SHEET 1 OF 1

REV K

TE Connectivity

RECP.T, ASSY., MOD IV, SINGLE ROW, .100CL, VERTICAL BD. MOUNT, CLOSED ENTRY, DUAL ENTRY, SHORT PT OF CONTACT

108-25022

114-25018

00779

147727