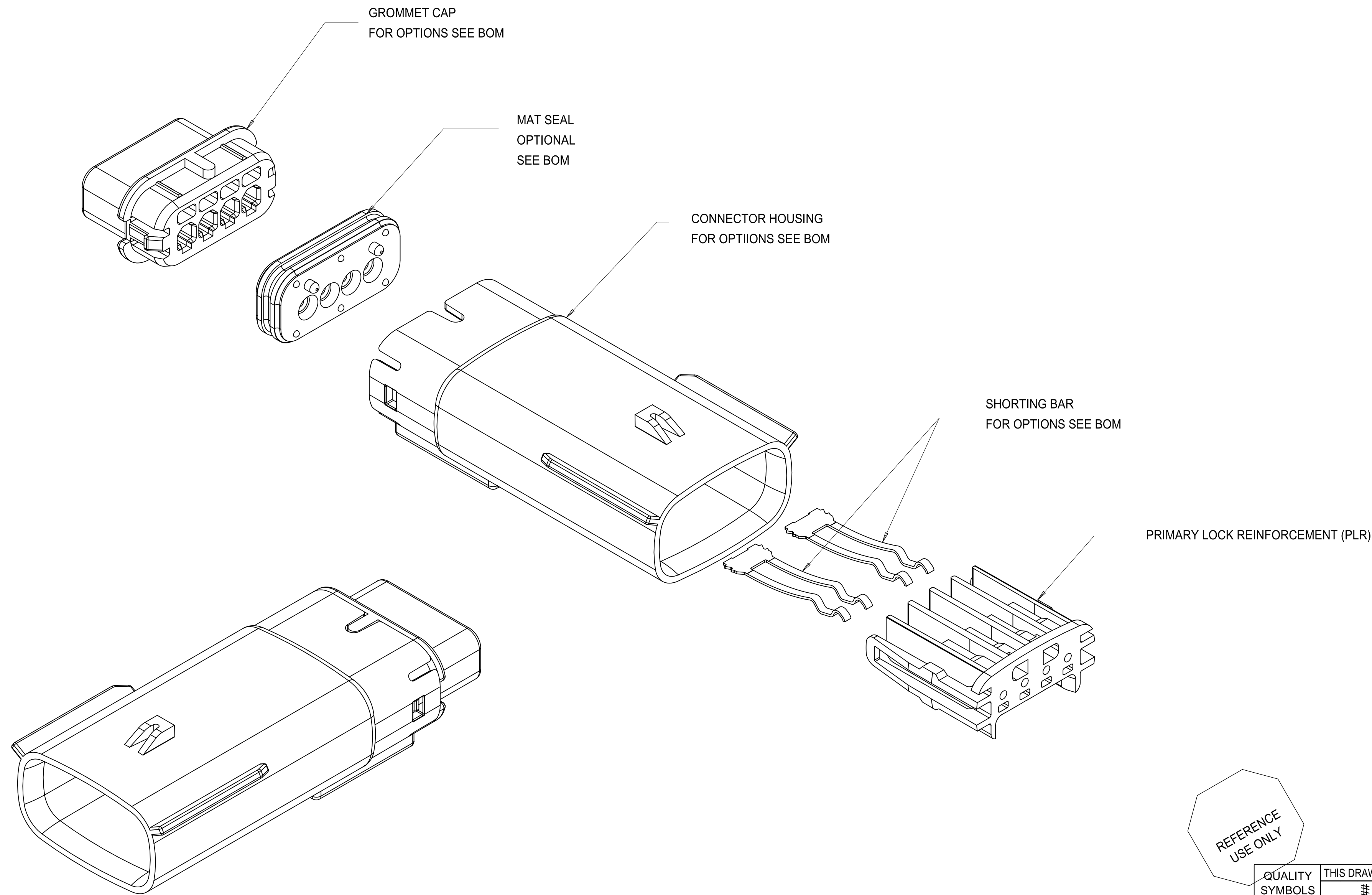


# TABLE OF CONTENTS

SHEET NO.	SHEET DESCRIPTION
1	NOTES
2	KEY CONFIGURATIONS
3	BLADE SEALED ASSEMBLY
4	SYSTEM PACKAGING
5	BOM



NOTES: VALID UNLESS OTHERWISE SPECIFIED

1. GENERAL:
- a. APPLICATION SPECIFICATION SEE: AS-33472-100  
CONTAINS: PRODUCT INTRODUCTION, PRODUCT SUMMARY, CONNECTOR ASSEMBLY, PACKAGING INFORMATION, CONNECTOR MATING, SERVICE INSTRUCTIONS, ELECTRICAL CONTINUITY CHECKING, CRIMPING, AND TROUBLESHOOTING.  
-DESIGNED TO MATE WITH RECEPTACLE SEALED ASSEMBLY SPECIFIED IN MOLEX DRAWING SD-33471-041. RECEPTACLE SEALED ASSEMBLY CONFIGURATION MUST CONTAIN A PLR WITH SHORTING BAR LIFTER.  
-FOR 1.5mm BLADE TERMINALS TO BE USED WITH THE SHORTING BAR CIRCUIT LOCATIONS SEE MOLEX DRAWING SD-31296-001.  
-SHORTING BAR TERMINALS TO BE USED WITH WIRE WITHIN DIAMETER RANGE OF 1.7mm TO 2.06mm.  
-FOR 1.5mm BLADE TERMINALS TO BE USED WITH THE NON-SHORTING BAR CIRCUIT LOCATIONS SEE MOLEX DRAWING SD-33000-001.  
-NON-SHORTING BAR TERMINALS TO BE USED WITH WIRE WITHIN DIAMETER RANGE OF 1.2mm TO 2.69mm.  
-ASSEMBLY SHIPPED WITH PLR IN PRE-LOCK POSITION  
-IN THE EVENT THAT THE PLR IS FOUND IN THE SEATED (FINAL LOCK) POSITION, REFER TO MOLEX SPECIFICATION PS-34646-001, AVAILABLE AT [www.molex.com](http://www.molex.com) <http://www.molex.com>  
-ASSEMBLY CONFORMS TO SAE/J1587-2 REV.4 WITH THE FOLLOWING EXCEPTIONS:  
TERMINAL INSERTION FORCE FOR WIRE DIAMETER ABOVE 2.5mm NOT EXCEEDING 2.69mm SHALL NOT EXCEED 45 NEWTONS.
  - b. PRODUCT SPECIFICATION SEE: PS-33471-000  
CONTAINS: PRODUCT INTRODUCTION, PRODUCT SUMMARY, RATINGS (CURRENT, TEMPERATURE, SEALING, AND FLAMMABILITY), AND PRODUCT VALIDATION.
  - c. PACKAGING SPECIFICATION PER MOLEX DRAWING: PK-31300-635
  - d. PARTS MUST BE IN COMPLIANCE TO MOLEX CHEMICAL SUBSTANCES FOR PRODUCTS AND PACKAGING SPECIFICATION: ES-40000-5016
  - e. DATA MUST BE SUBMITTED UNDER THE MOLEX PART NUMBER TO IMDS (COMPANY ID#13255)
  - f. FOR INFORMATION ON 1X4 BLADE SEALED ASSEMBLY WITHOUT SHORTING BAR SEE SD-33481-041.

2. DESIGN - MATERIALS:
- a. CONNECTOR HOUSING, GROMMET CAP, PLR: SPS/NYLON BLEND 20% GLASS FILLED
  - b. MAT SEAL: INHERENTLY LUBRICATED SILICONE
  - c. SHORTING BARS: STAINLESS STEEL

3. DESIGN - GEOMETRY:
- a. THIS IS A 100% CAD GENERATED PART. THE CAD MATHEMATICAL DATA IS THE MASTER FOR THIS PART. FOR DIMENSIONAL OR ANY INFORMATION NOT SHOWN ON THIS DRAWING, ANALYZE THE CAD MODEL.
  - b. GEOMETRIC DIMENSIONS AND TOLERANCES PER ASME Y14.5M - 1994
  - c. EDGES AND UNDIMENSIONED DETAILS PER ISO13715
  - d. CORNERS SHOWN AS SHARP TO BE R 0.2 MAX.
  - e. LETTERING SHALL BE 0.15 MAX RAISED IN 0.25 MAX RECESS PAD. THIS INCLUDES RECYCLING CODE, CAVITY ID, VENDOR IDENTIFICATION, AND CUSTOMER MATERIAL NUMBER.
  - f. VISUAL DEFECTS SHALL MEET COSMETIC STANDARD PS-45499-002 (Class B)
  - g. LASER MARKING: TBD

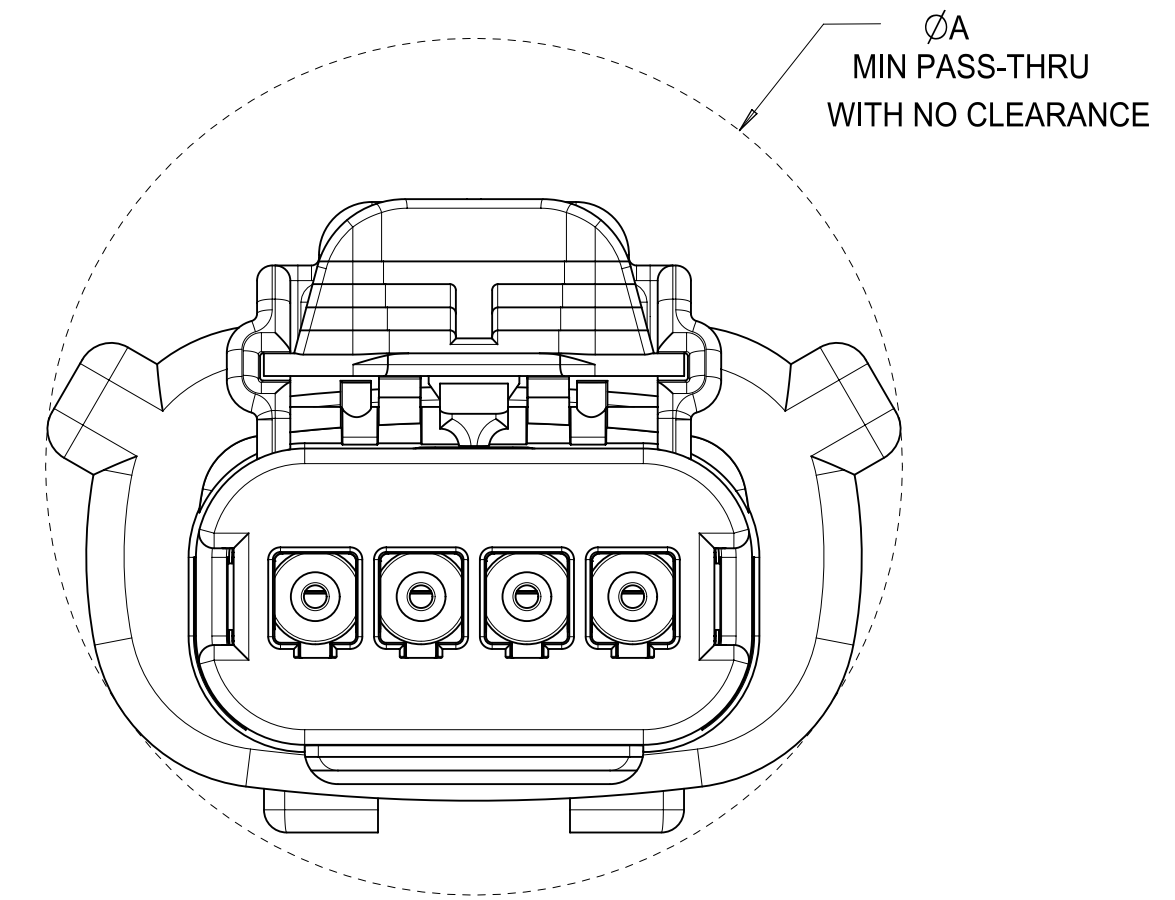
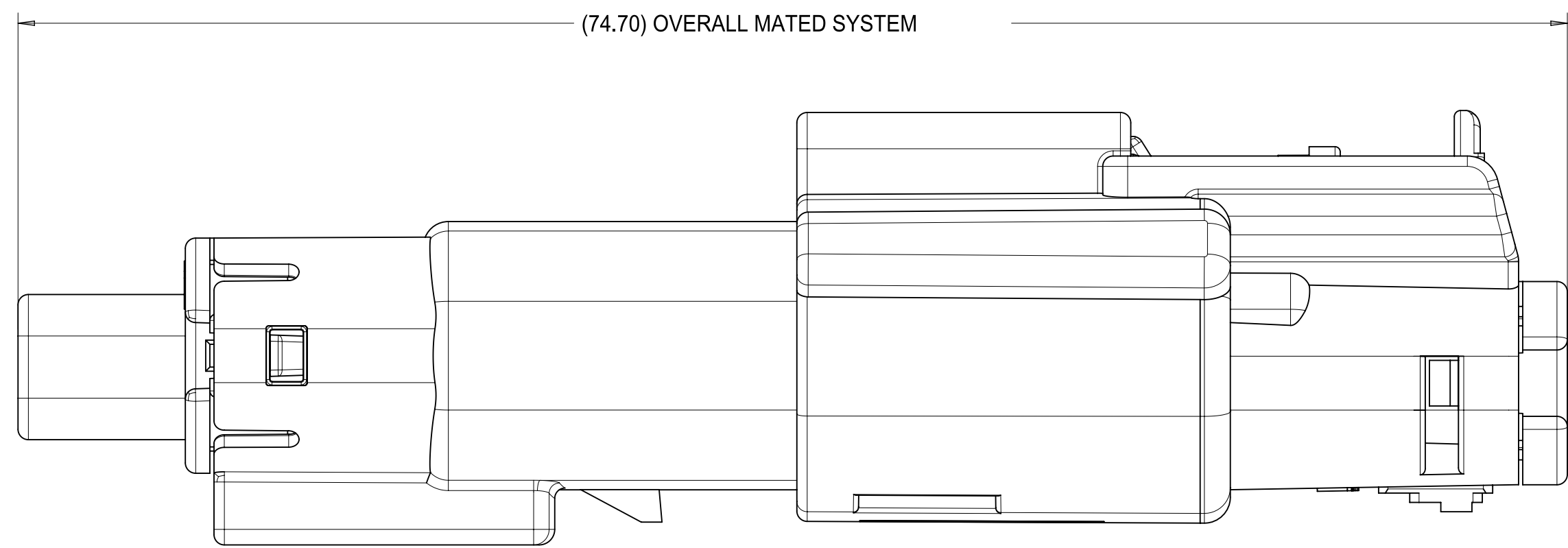
REFERENCE  
USE ONLY

K4	CHANGED THE FOLLOWING PARTS NUMBERS STATUSES FROM SALEABLE TO OBSOLETE: 31280-0442, 31280-0443, 31280-0444, 31280-0445, 31280-4438, & 31280-4439
K3	UPDATED THE STATUS OF P/NS ON SHEET 5 (3128004XX) TO OBSOLETE PER PCN 512135, EXCEPT 312800442 THRU 312800445 WHICH WERE MARKED SALEABLE ADDED SALEABLE STATUS OF P/NS (3128044XX) ON SHEET 5, EXCEPT FOR 312804442 THRU 312804445 AND 312804440 WHICH WERE MARKED OBSOLETE AND FOR 312804438 THRU 312804439 WHICH WERE MARKED NOT RECOMMENDED
K2	ADDED NEW P/N 31280-4436 TO 31280-4451
K	ADDED NEW P/N 31280-0450 31280-0451
J	ADDED NEW P/N 31280-0449
H	ADDED NEW P/N 31280-0448
G	UPDATED GROMMET CAP
F1	UPDATED DIMENSIONS TO MATCH MODEL
F	REDRAWN
REV	DESCRIPTION

QUALITY SYMBOLS	THIS DRAWING CONTAINS INFORMATION THAT IS PROPRIETARY TO MOLEX ELECTRONIC TECHNOLOGIES, LLC AND SHOULD NOT BE USED WITHOUT WRITTEN PERMISSION																										
<table border="0"> <tr><td>▽ = 0</td></tr> <tr><td>▽ = 0</td></tr> <tr><td>▽ = 0</td></tr> <tr><td>▽ = 0</td></tr> <tr><td>▽ = 0</td></tr> <tr><td>▽ = 0</td></tr> <tr><td>▽ = 0</td></tr> <tr><td>▽ = 0</td></tr> <tr><td>▽ = 0</td></tr> <tr><td>▽ = 0</td></tr> <tr><td>▽ = 0</td></tr> </table>	▽ = 0	▽ = 0	▽ = 0	▽ = 0	▽ = 0	▽ = 0	▽ = 0	▽ = 0	▽ = 0	▽ = 0	▽ = 0	<table border="0"> <tr><td>EC NO: CO-00001377</td></tr> <tr><td>DRWN: Matt Young</td></tr> <tr><td>CHKD: Joe Fox</td></tr> <tr><td>REV APPR: Katy Bonuszewski</td></tr> </table>	EC NO: CO-00001377	DRWN: Matt Young	CHKD: Joe Fox	REV APPR: Katy Bonuszewski	<table border="0"> <tr><td>GENERAL TOLERANCES (UNLESS SPECIFIED)</td></tr> <tr><td>DIMENSION UNITS: mm</td></tr> <tr><td>SCALE: 3:1</td></tr> <tr><td>DRWN BY: RFC_PLMIMP</td></tr> <tr><td>DATE: 2013/03/22</td></tr> <tr><td>CHKD BY: MDICK</td></tr> <tr><td>DATE: 2013/03/22</td></tr> <tr><td>APPR BY: DATE</td></tr> <tr><td>DRAWING SIZE: D</td></tr> <tr><td>THIRD ANGLE PROJECTION</td></tr> </table>	GENERAL TOLERANCES (UNLESS SPECIFIED)	DIMENSION UNITS: mm	SCALE: 3:1	DRWN BY: RFC_PLMIMP	DATE: 2013/03/22	CHKD BY: MDICK	DATE: 2013/03/22	APPR BY: DATE	DRAWING SIZE: D	THIRD ANGLE PROJECTION
▽ = 0																											
▽ = 0																											
▽ = 0																											
▽ = 0																											
▽ = 0																											
▽ = 0																											
▽ = 0																											
▽ = 0																											
▽ = 0																											
▽ = 0																											
▽ = 0																											
EC NO: CO-00001377																											
DRWN: Matt Young																											
CHKD: Joe Fox																											
REV APPR: Katy Bonuszewski																											
GENERAL TOLERANCES (UNLESS SPECIFIED)																											
DIMENSION UNITS: mm																											
SCALE: 3:1																											
DRWN BY: RFC_PLMIMP																											
DATE: 2013/03/22																											
CHKD BY: MDICK																											
DATE: 2013/03/22																											
APPR BY: DATE																											
DRAWING SIZE: D																											
THIRD ANGLE PROJECTION																											
<b>MX150 1X4 BLADE SEALED ASSEMBLY</b>																											
<b>G Customer Product Dwg</b>																											
SERIES: 31280	MATERIAL NUMBER: SEE BOM	CUSTOMER: GENERAL MARKET																									
DOCUMENT NUMBER: SD-31280-200	DOC TYPE: PSD	DOC PART SHEET NUMBER: 001 1 OF 5																									







CHARTED DIMENSIONS	
CONFIGURATION	A
MX150 1X4 RECPT SEALED ASSY - STANDARD	29.14
MX150 1X4 RECPT SEALED ASSY - ERGO	29.33
MX150 1X4 RECPT SEALED ASSY - SHORTING (SHRT) BAR	29.14

REFERENCE  
USE ONLY

<b>QUALITY SYMBOLS</b> 	THIS DRAWING CONTAINS INFORMATION THAT IS PROPRIETARY TO MOLEX ELECTRONIC TECHNOLOGIES, LLC AND SHOULD NOT BE USED WITHOUT WRITTEN PERMISSION							
	<b>GENERAL TOLERANCES (UNLESS SPECIFIED)</b> DIMENSION UNITS: mm SCALE: 4:1		DRWN BY: RFC_PLMIMP DATE:					<b>MX150 1X4 BLADE SEALED ASSEMBLY</b>
	ANGULAR TOL ± 1 ° 4 PLACES ± 0 3 PLACES ± 0 2 PLACES ± 0.1 1 PLACE ± 0.3 0 PLACES ± 0		CHK'D BY: MDICK DATE: 2013/03/22		<b>G Customer Product Dwg</b>			
	DRAFT WHERE APPLICABLE MUST REMAIN WITHIN DIMENSIONS		APPR BY: DATE:					SERIES: 31280 MATERIAL NUMBER: SEE BOM CUSTOMER: GENERAL MARKET
<b>K4</b>		EC NO: CO-00001377 DRWN: MattYoung CHK'D: Joe Fox REV APPR: Katy Bonuszewski		DRAWING SIZE: D THIRD ANGLE PROJECTION:		DOCUMENT NUMBER: SD-31280-200 DOC TYPE: PSD DOC PART: 001 SHEET NUMBER: 4 OF 5		

MOLEX ASSEMBLY PART NUMBER	HOUSING COLOR	KEYING OPTION	CAVITY NUMBER "X" INDICATES PLUGGED POSITION				NUMBER OF PLUGGED POSITIONS	STATUS	MAT SEAL	SHORTING BAR CIRCUITS 1&2	SHORTING BAR CIRCUITS 3&4
			1	2	3	4					
31280-0436	BLACK	A					0	OBSOLETE	PRESENT	PRESENT	PRESENT
31280-0437	LIGHT GRAY	B					0	OBSOLETE	PRESENT	PRESENT	PRESENT
31280-0438	BROWN	C					0	OBSOLETE	PRESENT	PRESENT	PRESENT
31280-0439	GREEN	D					0	OBSOLETE	PRESENT	PRESENT	PRESENT
31280-0440	CUSTOM	TBD					0	OBSOLETE	PRESENT	PRESENT	PRESENT
31280-0441	BLACK	A			X	X	2	OBSOLETE	PRESENT	PRESENT	NONE
31280-0442	BLACK	A					0	OBSOLETE	NONE	PRESENT	PRESENT
31280-0443	LIGHT GRAY	B					0	OBSOLETE	NONE	PRESENT	PRESENT
31280-0444	BROWN	C					0	OBSOLETE	NONE	PRESENT	PRESENT
31280-0445	GREEN	D					0	OBSOLETE	NONE	PRESENT	PRESENT
31280-0446	BLACK	A					0	OBSOLETE	PRESENT	PRESENT	NONE
31280-0447	LIGHT GRAY	B					0	OBSOLETE	PRESENT	NONE	PRESENT
31280-0448	YELLOW	A					0	OBSOLETE	PRESENT	PRESENT	PRESENT
31280-0449	YELLOW	A				X	1	OBSOLETE	PRESENT	PRESENT	NONE
31280-0450	DARK GRAY	C					0	OBSOLETE	PRESENT	PRESENT	PRESENT
31280-0451	STONE GRAY	D					0	OBSOLETE	PRESENT	PRESENT	PRESENT

MOLEX ASSEMBLY PART NUMBER	HOUSING COLOR	KEYING OPTION	CAVITY NUMBER "X" INDICATES PLUGGED POSITION				NUMBER OF PLUGGED POSITIONS	STATUS	MAT SEAL	SHORTING BAR CIRCUITS 1&2	SHORTING BAR CIRCUITS 3&4
			1	2	3	4					
31280-4436	BLACK	A					0	SALEABLE	PRESENT	PRESENT	PRESENT
31280-4437	LIGHT GRAY	B					0	SALEABLE	PRESENT	PRESENT	PRESENT
31280-4438	BROWN	C					0	OBSOLETE	PRESENT	PRESENT	PRESENT
31280-4439	GREEN	D					0	OBSOLETE	PRESENT	PRESENT	PRESENT
31280-4440	CUSTOM	TBD					0	OBSOLETE	PRESENT	PRESENT	PRESENT
31280-4441	BLACK	A				X	X	2	SALEABLE	PRESENT	NONE
31280-4442	BLACK	A					0	OBSOLETE	NONE	PRESENT	PRESENT
31280-4443	LIGHT GRAY	B					0	OBSOLETE	NONE	PRESENT	PRESENT
31280-4444	BROWN	C					0	OBSOLETE	NONE	PRESENT	PRESENT
31280-4445	GREEN	D					0	OBSOLETE	NONE	PRESENT	PRESENT
31280-4446	BLACK	A					0	SALEABLE	PRESENT	PRESENT	NONE
31280-4447	LIGHT GRAY	B					0	SALEABLE	PRESENT	NONE	PRESENT
31280-4448	YELLOW	A					0	SALEABLE	PRESENT	PRESENT	PRESENT
31280-4449	YELLOW	A				X	1	SALEABLE	PRESENT	PRESENT	NONE
31280-4450	DARK GRAY	C					0	SALEABLE	PRESENT	PRESENT	PRESENT
31280-4451	STONE GRAY	D					0	SALEABLE	PRESENT	PRESENT	PRESENT

REFERENCE USE ONLY

<b>QUALITY SYMBOLS</b> □ = 0 ▽ = 0 ▽ = 0 ▽ = 0 ▽ = 0 ▽ = 0 ▽ = 0 ▽ = 0 ▽ = 0 ▽ = 0	THIS DRAWING CONTAINS INFORMATION THAT IS PROPRIETARY TO MOLEX ELECTRONIC TECHNOLOGIES, LLC AND SHOULD NOT BE USED WITHOUT WRITTEN PERMISSION		<b>GENERAL TOLERANCES (UNLESS SPECIFIED)</b> DIMENSION UNITS: mm SCALE: 1:1 DRWN BY: RFC_PLMIMP DATE: 2013/03/22		
	EC NO: CO-00001377 DRWN: Matt Young CHKD: Joe Fox REV APPR: Katy Bonuszewski		ANGULAR TOL ± 1 ° 4 PLACES ± 0 3 PLACES ± 0 2 PLACES ± 0.1 1 PLACE ± 0.3 0 PLACES ± 0 DRAFT WHERE APPLICABLE MUST REMAIN WITHIN DIMENSIONS		
K4		DRAFTING SIZE: D THIRD ANGLE PROJECTION		DOCUMENT NUMBER: SD-31280-200 DOC TYPE: PSD DOC PART: 001 SHEET NUMBER: 5 OF 5	

TABLE OF CONTENTS	
SHEET NO.	SHEET DESCRIPTION
1	NOTES AND BOM
2	CONFIGURATIONS
3-4	KEY CONFIGURATIONS
5	RECEPTACLE CONNECTOR ASSEMBLY
6	BACKSHELL NOTES
7	BACKSHELL
8	BACKSHELL CONFIGURATIONS

NOTES: VALID UNLESS OTHERWISE SPECIFIED

1. GENERAL:
- a. APPLICATION SPECIFICATION SEE: AS-33472-100
- CONTAINS: PRODUCT INTRODUCTION, PRODUCT SUMMARY, CONNECTOR ASSEMBLY, PACKAGING INFORMATION, CONNECTOR MATING, SERVICE INSTRUCTIONS, ELECTRICAL CONTINUITY CHECKING, CRIMPING, AND TROUBLESHOOTING.
  - DESIGNED TO MATE WITH DEVICE OR CONNECTOR AS SPECIFIED IN THE MATING INTERFACE/CONNECTOR DRAWINGS CHART.
  - \*DENOTES DRAWINGS THAT CAN BE ACCESSED AT <http://ewcap.uscarteams.org/>.
  - ASSEMBLY SHIPPED WITH PLR IN PRE-LOCK POSITION (SEE PLR PRE-LOCK VIEW SHEET 5).

- b. PRODUCT SPECIFICATION SEE:
- STANDARD CONFIGURATION: PS-33471-000
  - UL V0 CONFIGURATION: PS-160105-0001
  - CONTAINS: PRODUCT INTRODUCTION, PRODUCT SUMMARY, RATINGS (CURRENT, TEMPERATURE, SEALING, AND FLAMMABILITY), TERMINALS, WIRE DIAMETER RANGE, PRODUCT VALIDATION, AND PRODUCT DEVIATIONS.

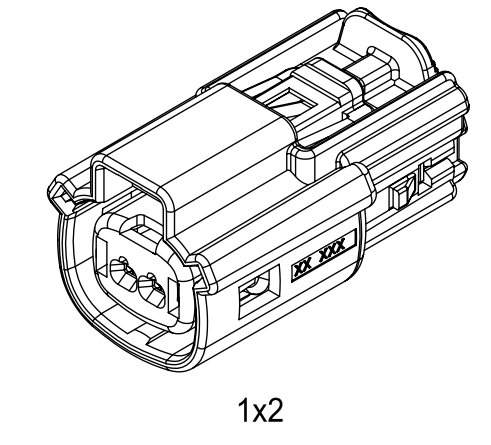
- c. PACKAGING SPECIFICATION PER MOLEX DRAWING: SEE PACKAGING CHART
- d. PARTS MUST BE IN COMPLIANCE TO MOLEX CHEMICAL SUBSTANCES FOR PRODUCTS AND PACKAGING SPECIFICATION: QEHS-699000-301
- e. DATA MUST BE SUBMITTED UNDER THE MOLEX PART NUMBER TO IMDS (COMPANY ID#13255)

2. DESIGN - MATERIALS:
- a. FOR BILL OF MATERIALS SEE:
- STANDARD CONFIGURATION TBD
  - UL V0 CONFIGURATION SD-160105-0002

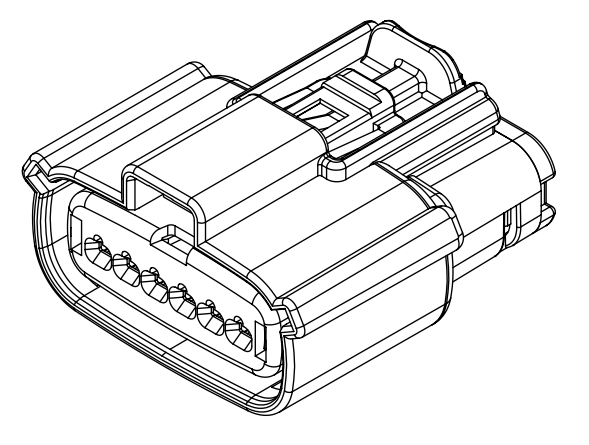
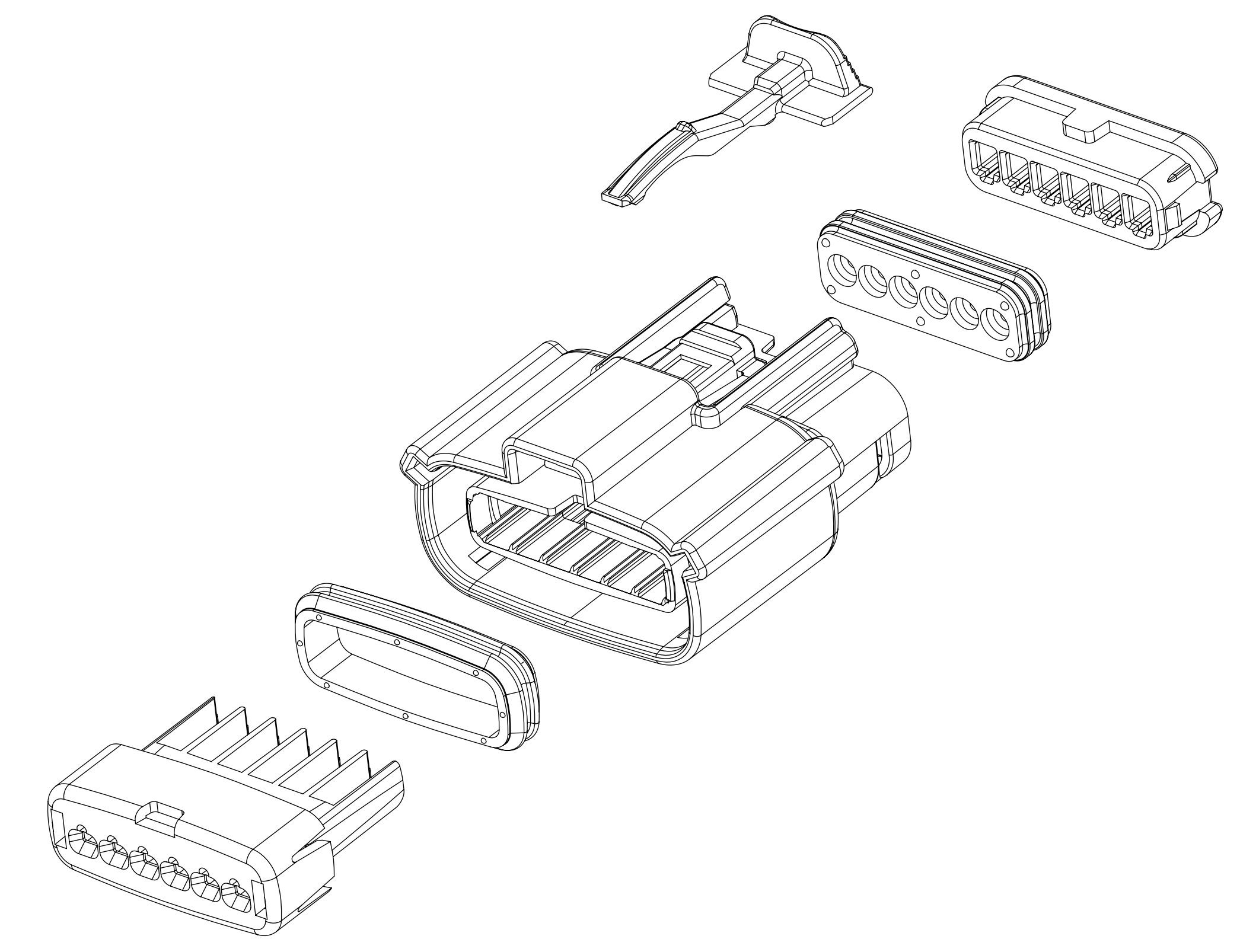
3. DESIGN - GEOMETRY:
- a. THE 3-D CAD DATA IS BASIC (WITHOUT TOLERANCE) AND MASTER FOR THIS PART WITH THE EXCEPTION OF UNDERLINED DIMENSIONS. DIMENSIONAL INFORMATION NOT SHOWN ON THIS DRAWING IS DEFINED BY THE DATA FILE AT ITS LATEST REVISION.
- b. GEOMETRIC DIMENSIONS AND TOLERANCES PER ASME Y14.5M-2009
- c. EDGES AND UNDIMENSIONED DETAILS PER ISO13715
- d. CORNERS SHOWN AS SHARP TO BE R 0.2 MAX.
- e. LETTERING SHALL BE 0.15 MAX RAISED IN 0.25 MAX RECESS PAD. THIS INCLUDES RECYCLING CODE, CAVITY ID, VENDOR IDENTIFICATION, AND CUSTOMER MATERIAL NUMBER.
- f. VISUAL DEFECTS SHALL MEET COSMETIC STANDARD PS-45499-002 (Class B).
- g. LASER MARKING:
- PART NUMBER
  - DAY OF THE YEAR
  - SHIFT
  - YEAR
- FOR ADDITIONAL INFORMATION SEE SECTION 5 UNDER PROCEDURES IN ES-34735-008.

PACKAGING	
DESCRIPTION	DRAWING NO.
1X2	PK-31300-635
1X6	PK-31300-903

MATING INTERFACE/CONNECTOR DRAWINGS		
DESCRIPTION	INTERFACE DEFINITION	MOLEX INLINE
1X2	*150-S-002-1-Z05	SD-33481-0001
1X6	*150-S-006-1-Z03	SD-33481-0001



1x2



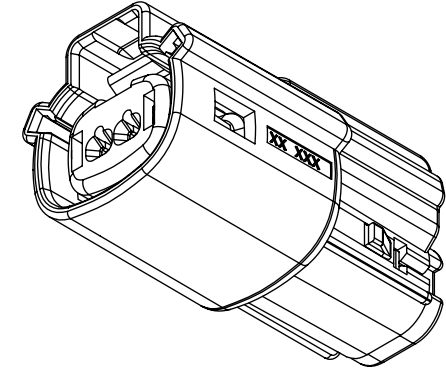
1x6

INSPECTION NUMBER LOG	
REV	REV DESCRIPTION
2	UPDATE VIEWSETS
1	INITIAL RELEASE
A3	ADDED MID-VOLT VIEWS ON SHEET 2
A2	CHANGE STANDARD CONFIGURATION TO TBD SEE NOTES 2.a
A1	UPDATED THE DRAWING FRAME
A	MINOR GEOMETRY CHANGE FOR UL V0

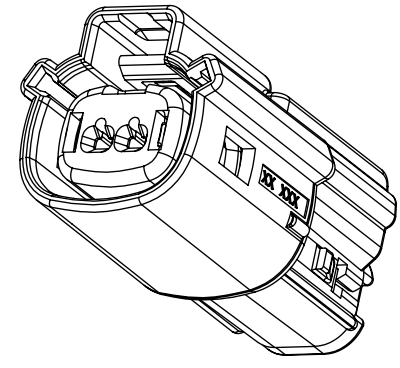
<table border="1"> <tr> <th>FUNCTIONAL SYMBOLS</th> <td>FA = 0</td> <td>FC = 0</td> <td>FD = 0</td> </tr> <tr> <th>DIVISIONAL SYMBOLS</th> <td>3 PLACES</td> <td>2 PLACES</td> <td>1 PLACE</td> </tr> <tr> <td colspan="4">DRAFT WHERE APPLICABLE MUST REMAIN WITHIN DIMENSIONS</td> </tr> </table>	FUNCTIONAL SYMBOLS	FA = 0	FC = 0	FD = 0	DIVISIONAL SYMBOLS	3 PLACES	2 PLACES	1 PLACE	DRAFT WHERE APPLICABLE MUST REMAIN WITHIN DIMENSIONS				<p>THIS DRAWING CONTAINS INFORMATION THAT IS PROPRIETARY TO MOLEX ELECTRONIC TECHNOLOGIES, LLC AND SHOULD NOT BE USED WITHOUT WRITTEN PERMISSION</p> <p>CURRENT REV DESC: ADDED NEW VIEWS</p> <p>STATUS: Production          DRWN: Yu Chao Fu          CHK'D: Tom Smith          APPR: Andy Proffitt</p> <p>2023-04-17          2025-10-28          2025-10-28</p>	<p>MM 1.5:1</p> <p>GENERAL TOLERANCES (UNLESS SPECIFIED)</p> <p>ANGULAR TOL ± 1°</p> <p>4 PLACES ±</p> <p>3 PLACES ±</p> <p>2 PLACES ± 0.100</p> <p>1 PLACE ± 0.20</p> <p>0 PLACES ±</p>	<p><b>molex</b></p> <p>MX150 RCPT SINGLE ROW SEALED ASSY MAT SEAL</p> <p>PRODUCT CUSTOMER DRAWING</p> <p>DOCUMENT NUMBER: <b>SD-33471-0001</b></p> <p>DOC TYPE: PSD   DOC PART: 001   REVISION: A3</p> <p>MATERIAL NUMBER: SEE NOTE 2a   CUSTOMER: GENERAL MARKET   SHEET NUMBER: 1 OF 8</p>
FUNCTIONAL SYMBOLS	FA = 0	FC = 0	FD = 0												
DIVISIONAL SYMBOLS	3 PLACES	2 PLACES	1 PLACE												
DRAFT WHERE APPLICABLE MUST REMAIN WITHIN DIMENSIONS															

# SHEET DESCRIPTION

CONFIGURATIONS

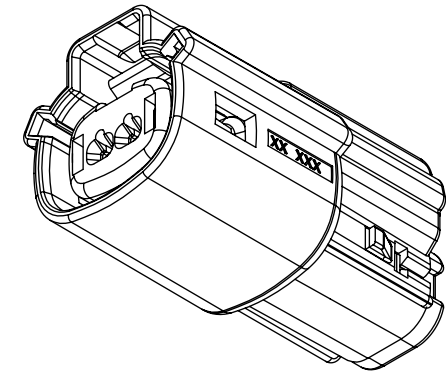


1x2 - STD



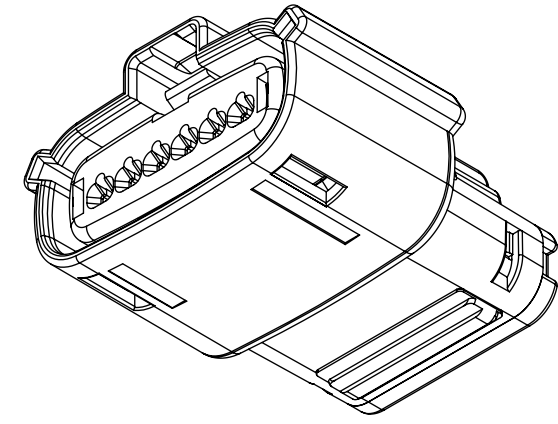
1x2 - UL V0\*

A3

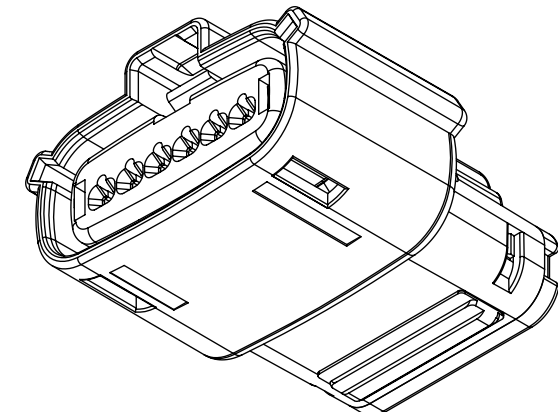


1x2 - MID-VOLT

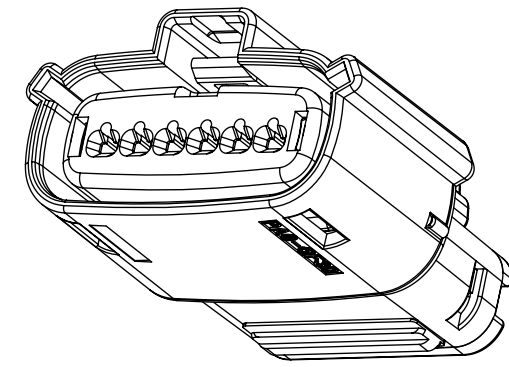
A3



1x6 - MID-VOLT



1x6 - STD



1x6 - UL V0\*

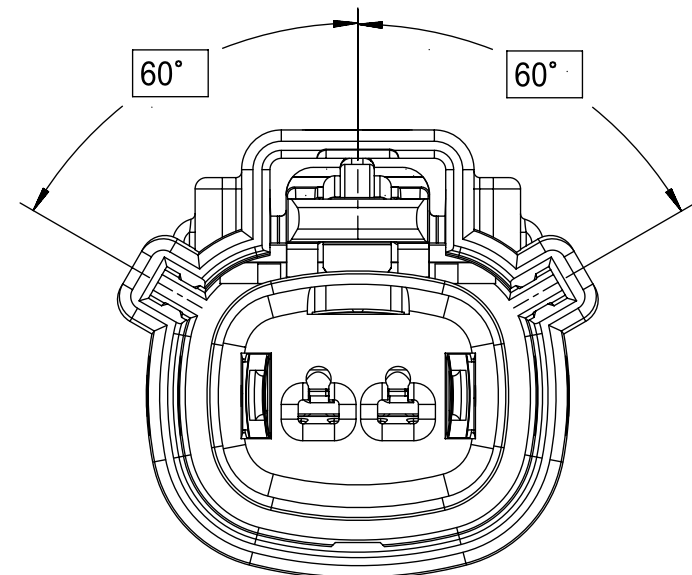
\*MINOR GEOMETRY DIFFERENCE THAN STANDARD CONFIGURATION  
SEE NOTES 1 & 2 FOR MORE INFORMATION

FUNCTIONAL SYMBOLS	THIS DRAWING CONTAINS INFORMATION THAT IS PROPRIETARY TO MOLEX ELECTRONIC TECHNOLOGIES, LLC AND SHOULD NOT BE USED WITHOUT WRITTEN PERMISSION		CURRENT REV DESC: ADDED NEW VIEWS						
	DIMENSION UNITS	SCALE							
$\nabla_A = 0$	MM	1.5:1	GENERAL TOLERANCES (UNLESS SPECIFIED)		STATUS: Production DRWN: Yu Chao Fu CHK'D: Tom Smith APPR: Andy Proffitt				
$\nabla_C = 0$	GENERAL TOLERANCES (UNLESS SPECIFIED)								
$\nabla_D = 0$	ANGULAR TOL $\pm$ 1°		4 PLACES $\pm$		2023-04-17 DOCUMENT NUMBER 2025-10-28 33471-0001 2025-10-28				
DIVISIONAL SYMBOLS	3 PLACES $\pm$		3 PLACES $\pm$		DOC TYPE	DOC PART	REVISION	PSD 001 A3	
	2 PLACES $\pm$ 0.100		2 PLACES $\pm$ 0.20		CUSTOMER		GENERAL MARKET		SHEET NUMBER
	1 PLACE $\pm$		0 PLACES $\pm$		MATERIAL NUMBER		SEE NOTE 2a		2 OF 8
	DRAFT WHERE APPLICABLE MUST REMAIN WITHIN DIMENSIONS		THIRD ANGLE PROJECTION		DRAWING	SERIES	D-SIZE 33471		

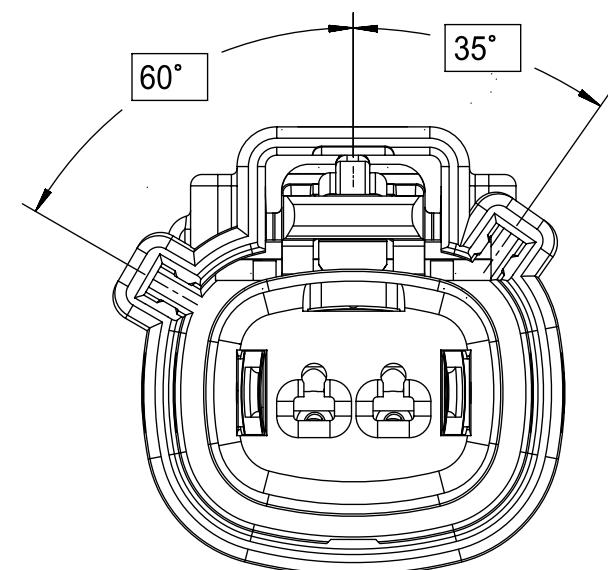
**SHEET DESCRIPTION**

KEY CONFIGURATIONS

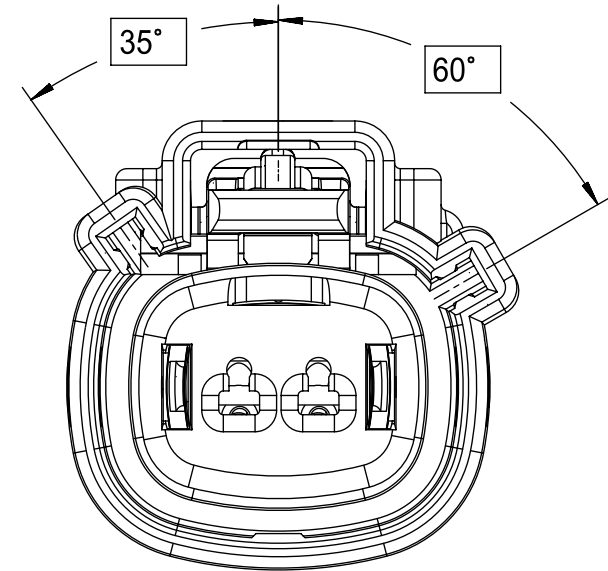
1X2



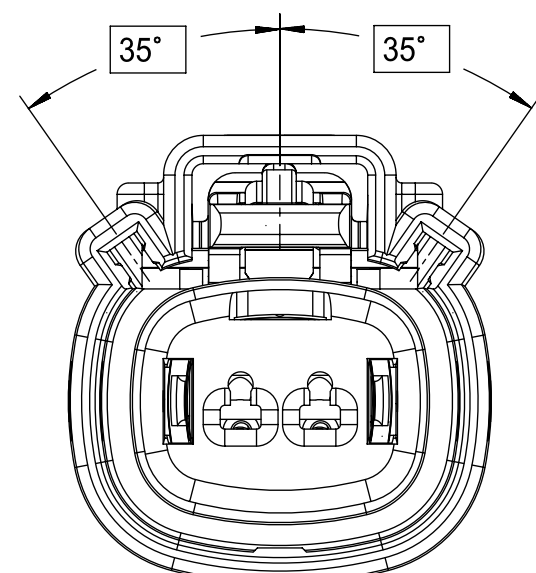
KEY A



KEY B



KEY C



KEY D

FUNCTIONAL SYMBOLS	THIS DRAWING CONTAINS INFORMATION THAT IS PROPRIETARY TO MOLEX ELECTRONIC TECHNOLOGIES, LLC AND SHOULD NOT BE USED WITHOUT WRITTEN PERMISSION		
	DIMENSION UNITS	SCALE	CURRENT REV DESC: ADDED NEW VIEWS
$\frac{F}{A} = 0$	MM	3:1	STATUS: Production DRWN: Yu Chao Fu CHK'D: Tom Smith APPR: Andy Proffitt 2023-04-17 2025-10-28 2025-10-28
$\frac{F}{C} = 0$	GENERAL TOLERANCES (UNLESS SPECIFIED)		
$\frac{F}{D} = 0$	ANGULAR TOL ± 1°		
DIVISIONAL SYMBOLS	4 PLACES	±	
	3 PLACES	±	
	2 PLACES	± 0.100	
	1 PLACE	± 0.20	
	0 PLACES	±	
DRAFT WHERE APPLICABLE MUST REMAIN WITHIN DIMENSIONS		THIRD ANGLE PROJECTION	DRAWING: D-SIZE SERIES: 33471
		MATERIAL NUMBER: SEE NOTE 2a CUSTOMER: GENERAL MARKET	SHEET NUMBER: 3 OF 8

**molex**

MX150 RCPT  
SINGLE ROW SEALED ASSY MAT SEAL

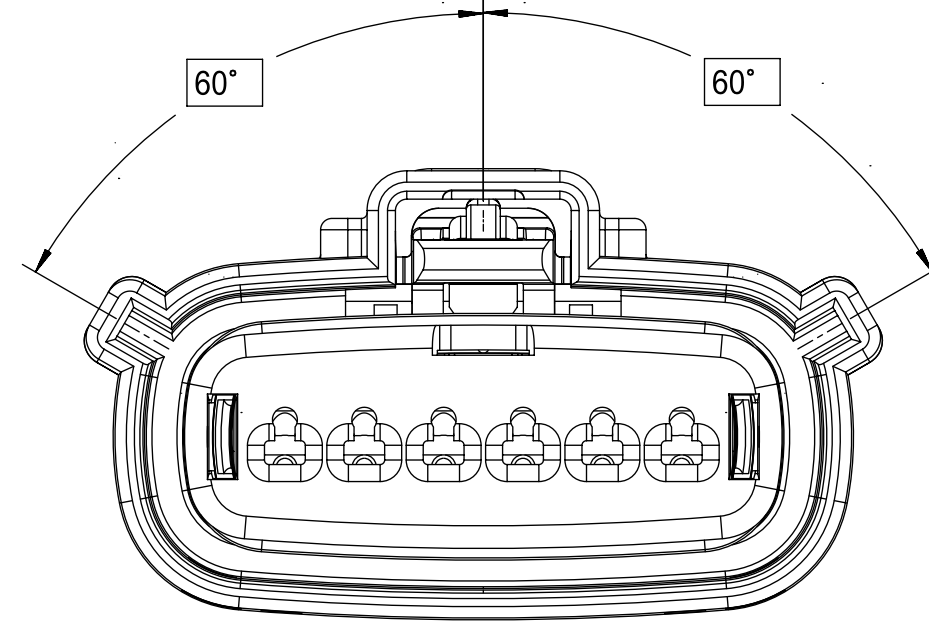
PRODUCT CUSTOMER DRAWING

DOCUMENT NUMBER	DOC TYPE	DOC PART	REVISION
SD-33471-0001	PSD	001	A3

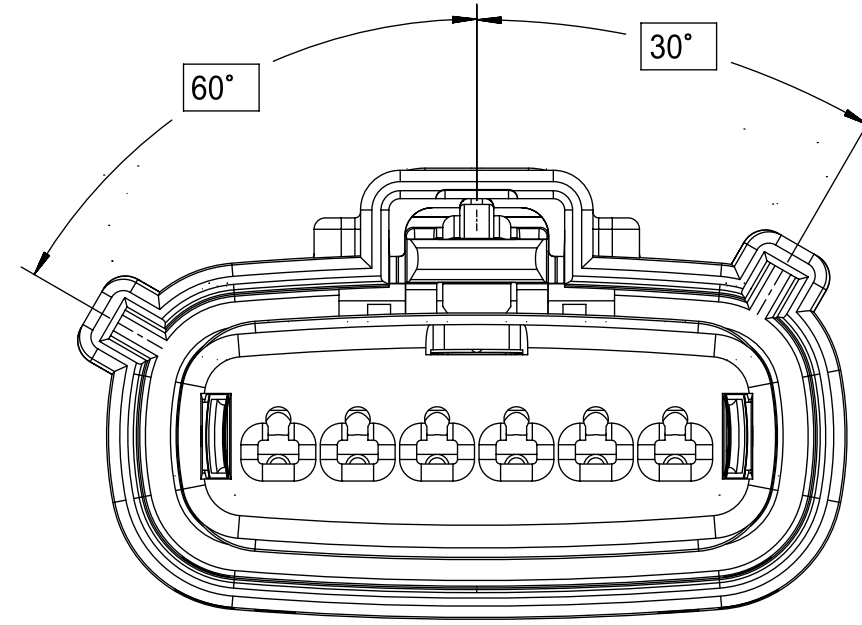
**SHEET DESCRIPTION**

KEY CONFIGURATIONS CONT.

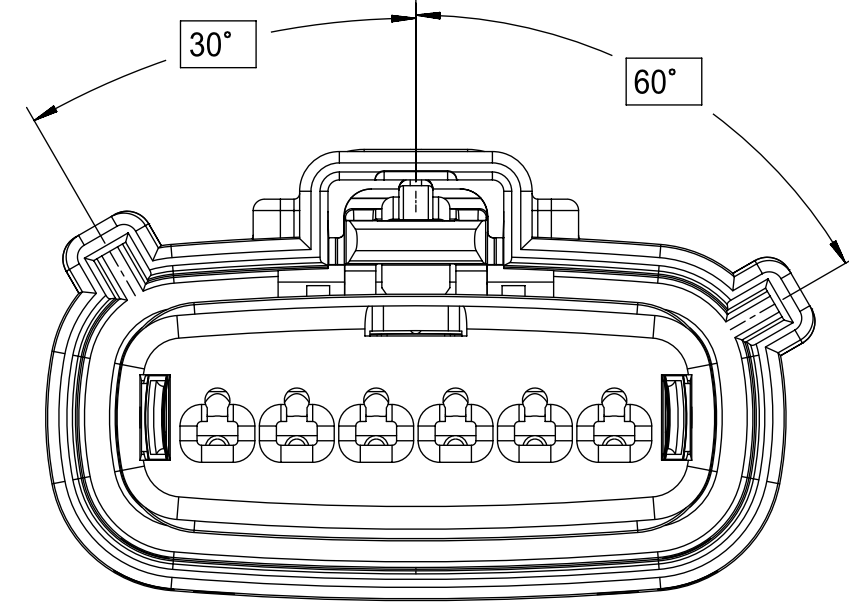
**1X6**



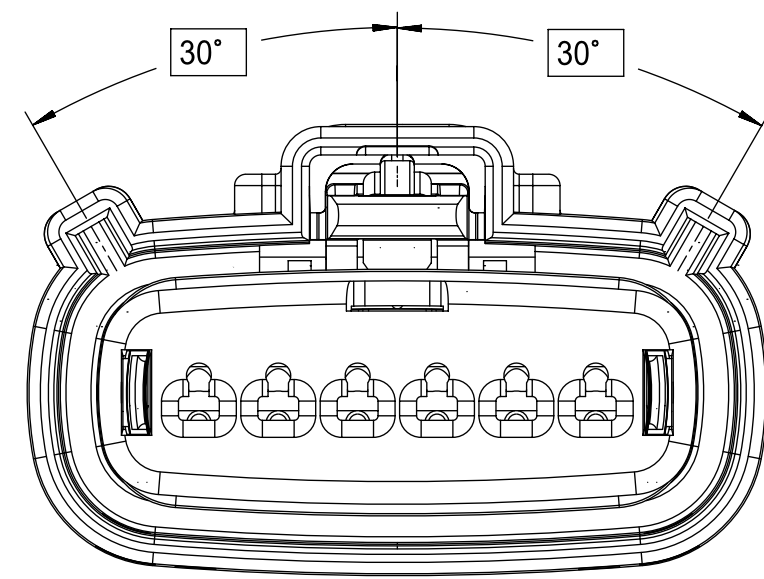
KEY A



KEY B



KEY C



KEY D

<b>FUNCTIONAL SYMBOLS</b> $F_A = 0$ $F_C = 0$ $F_D = 0$ <b>DIVISIONAL SYMBOLS</b>	THIS DRAWING CONTAINS INFORMATION THAT IS PROPRIETARY TO MOLEX ELECTRONIC TECHNOLOGIES, LLC AND SHOULD NOT BE USED WITHOUT WRITTEN PERMISSION		
	DIMENSION UNITS	SCALE	CURRENT REV DESC: ADDED NEW VIEWS
	MM	3:1	
	GENERAL TOLERANCES (UNLESS SPECIFIED)		
	ANGULAR TOL	±	1°
	4 PLACES	±	
	3 PLACES	±	
	2 PLACES	± 0.100	
	1 PLACE	± 0.20	
	0 PLACES	±	
DRAFT WHERE APPLICABLE MUST REMAIN WITHIN DIMENSIONS		THIRD ANGLE PROJECTION	
		DRAWING	SERIES
		<b>D-SIZE</b>	<b>33471</b>
		STATUS: Production	2023-04-17
		DRWN: Yu Chao Fu	2025-10-28
		CHK'D: Tom Smith	2025-10-28
		APPR: Andy Proffitt	
		DOCUMENT NUMBER	DOC TYPE   DOC PART   REVISION
		<b>SD-33471-0001</b>	<b>PSD 001 A3</b>
		MATERIAL NUMBER	CUSTOMER
		SEE NOTE 2a	GENERAL MARKET
		SHEET NUMBER	
			<b>4 OF 8</b>

**molex**

MX150 RCPT  
SINGLE ROW SEALED ASSY MAT SEAL

PRODUCT CUSTOMER DRAWING

DOCUMENT NUMBER | DOC TYPE | DOC PART | REVISION

**SD-33471-0001** | **PSD** | **001** | **A3**

MATERIAL NUMBER | CUSTOMER

SEE NOTE 2a | GENERAL MARKET

SHEET NUMBER

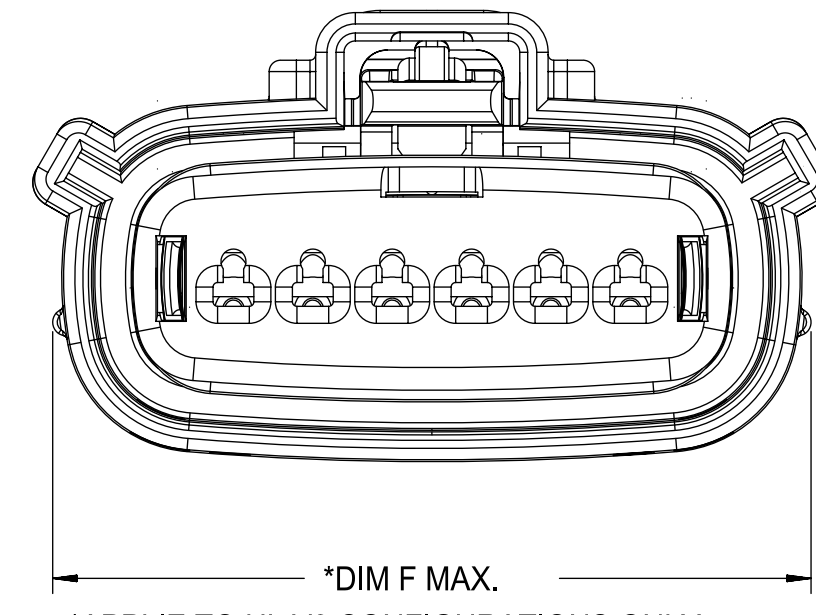
**4 OF 8**

# SHEET DESCRIPTION

RECEPTACLE CONNECTOR ASSEMBLY - STD AND MID-VOLT

# CHARTED DIMENSIONS

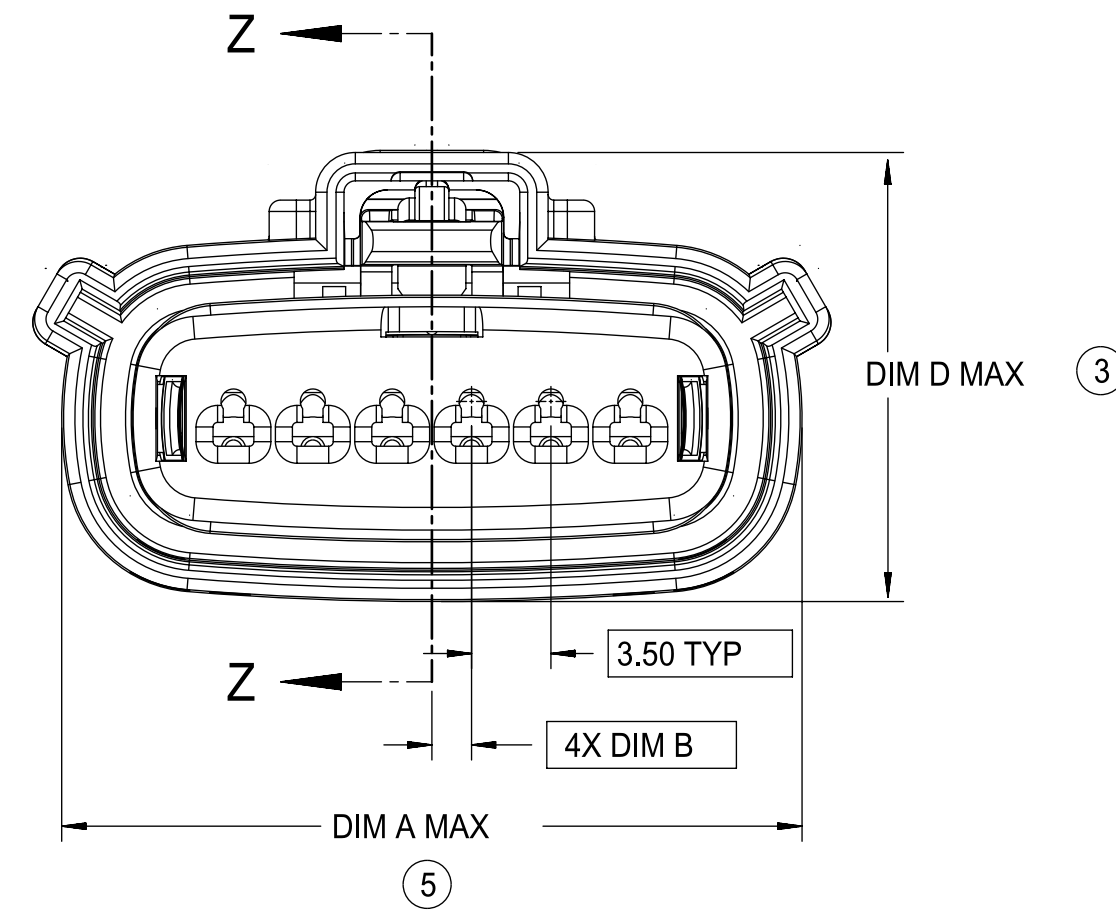
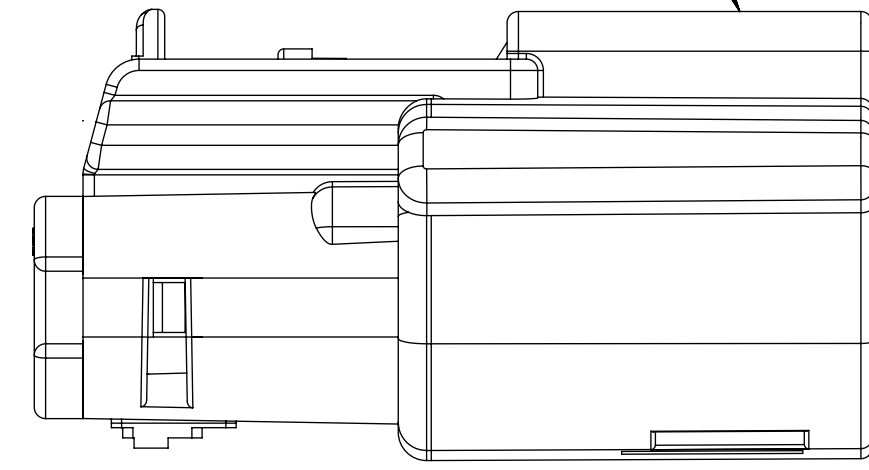
DESCRIPTION	DIMENSIONS					
	A	B	C	D	E	F
1X2	19.40	1.75	21.73	20.55	37.65	19.64
1X6	32.75	1.75	35.21	19.90	37.65	N/A
1X6 UL V0	N/A	1.75	35.23	19.90	37.65	33.64



\*DIM F MAX.  
\*APPLIE TO UL V0 CONFIGURATIONS ONLY

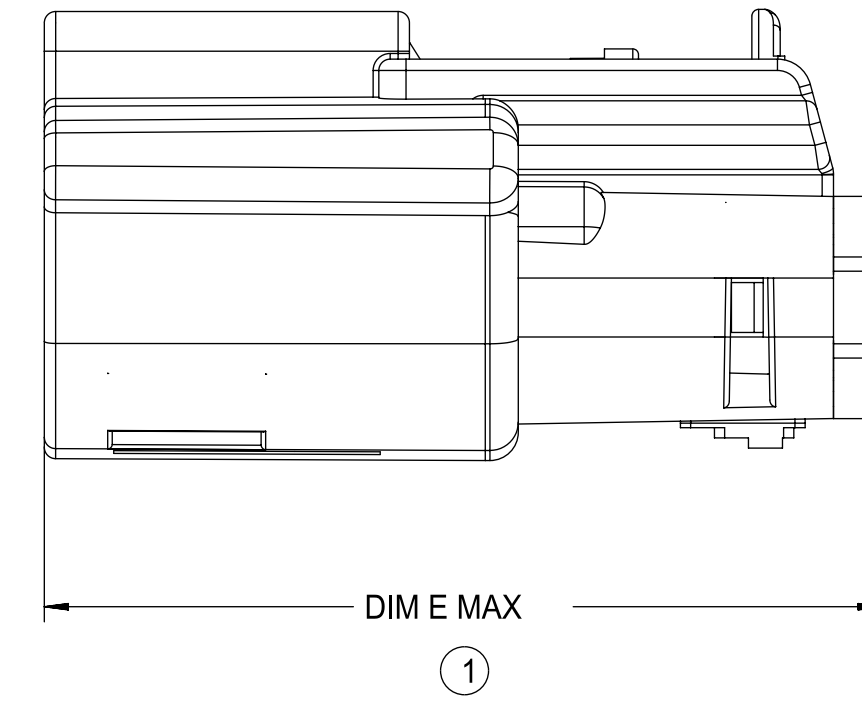
①

LASER MARKING ON THIS SURFACE  
SEE NOTE 3g.



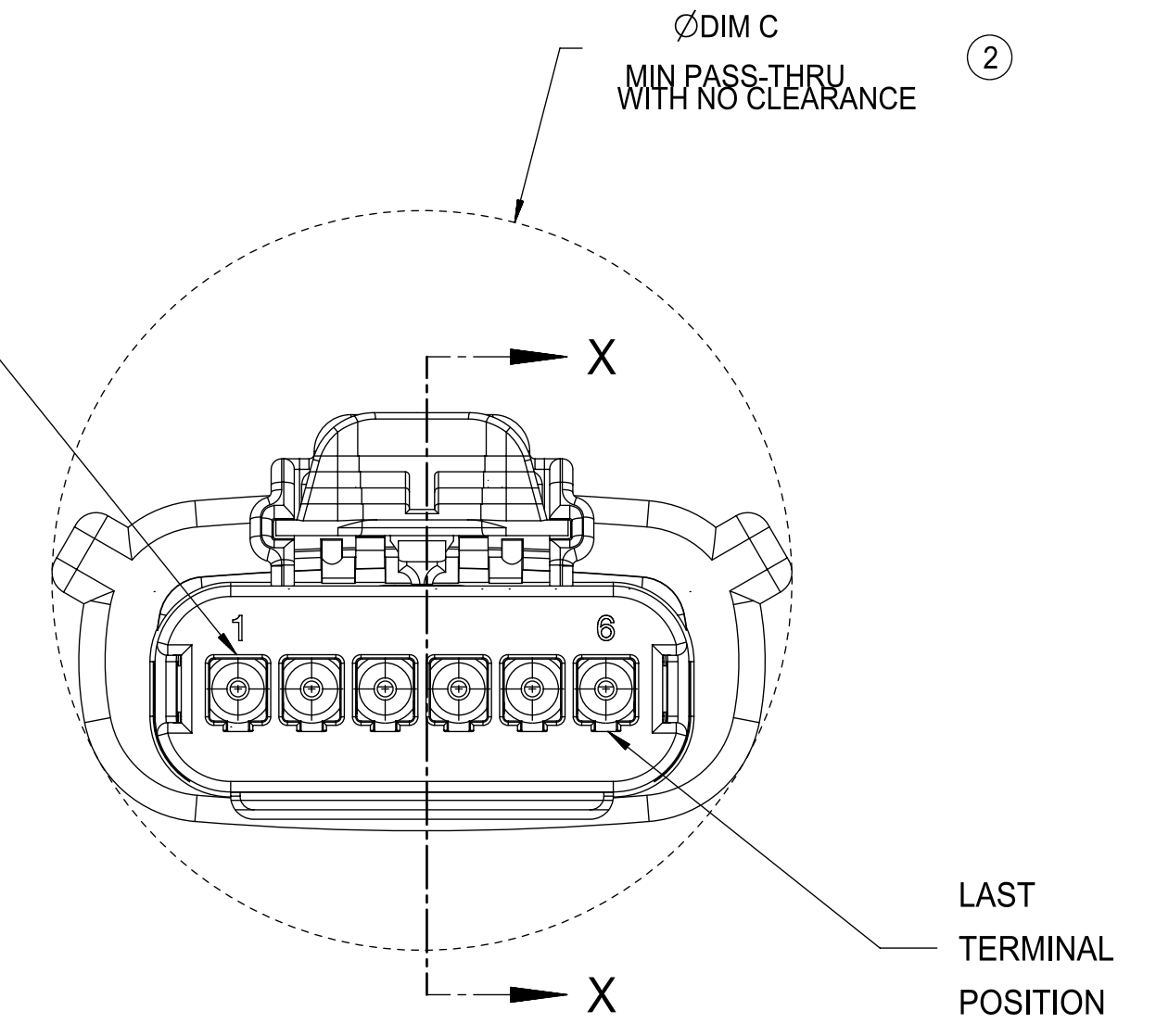
DIM D MAX ③

⑤



①

TERMINAL  
POSITION 1



ØDIM C  
MIN PASS-THRU  
WITH NO CLEARANCE ②

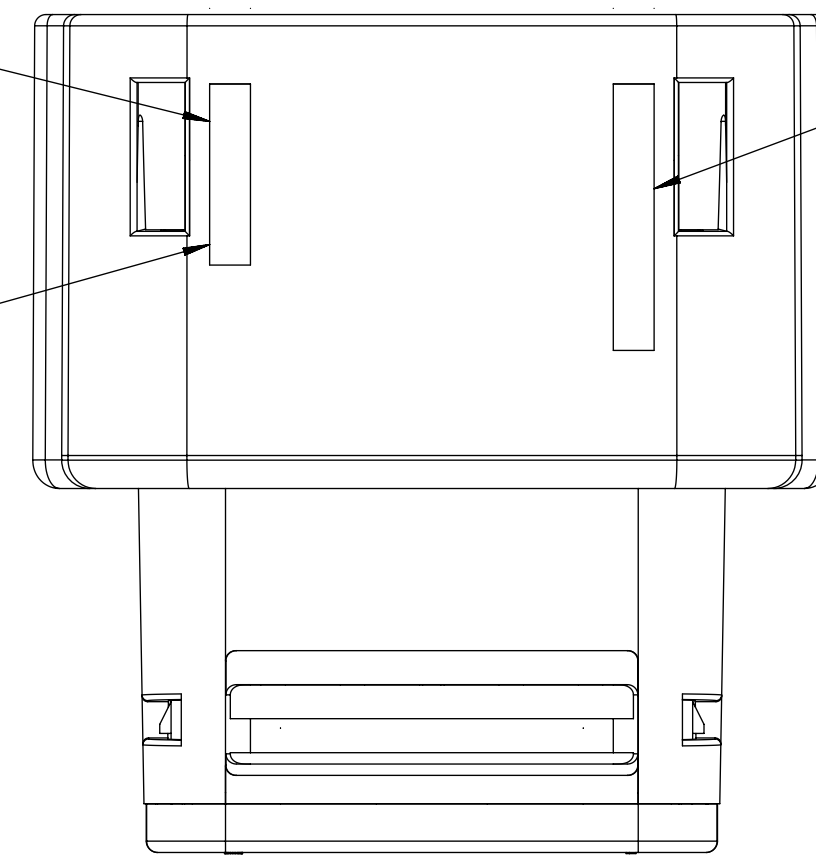
LAST  
TERMINAL  
POSITION

REAR VIEW  
(WIRE HARNESS SIDE)

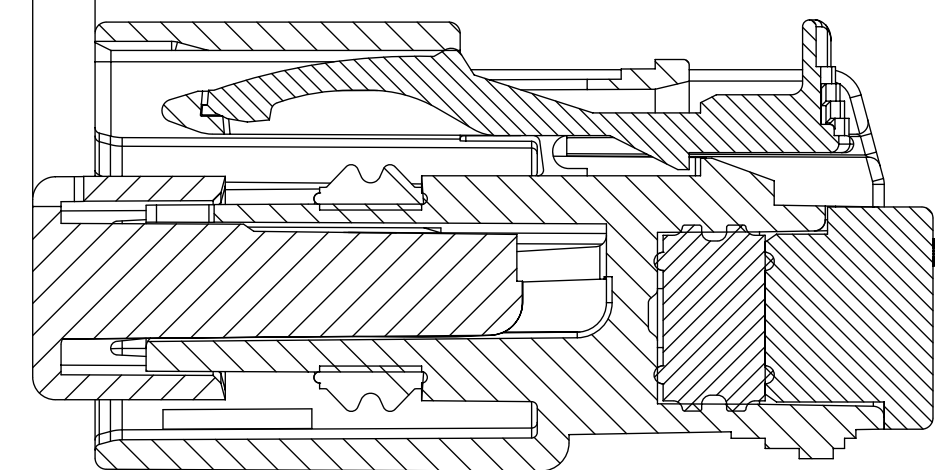
MOLD CAVITY I.D.  
THIS LOCATION

MANUFACTURING LOCATION  
CODE THIS LOCATION

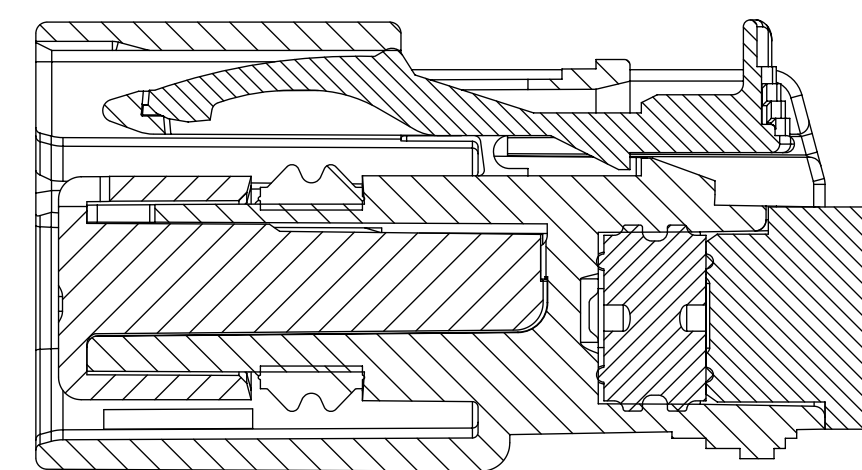
RECYCLE CODE  
THIS LOCATION



2.75±0.50  
⑥



PRIMARY LOCK REINFORCEMENT (PLR) SHOWN  
IN PRE-STAGED POSITION  
SECTION Z-Z



PRIMARY LOCK REINFORCEMENT (PLR) SHOWN  
IN FINAL-LOCK POSITION  
SECTION X-X

<b>FUNCTIONAL SYMBOLS</b> $F_A = 0$ $F_C = 0$ $F_D = 0$ <b>DIVISIONAL SYMBOLS</b>	THIS DRAWING CONTAINS INFORMATION THAT IS PROPRIETARY TO MOLEX ELECTRONIC TECHNOLOGIES, LLC AND SHOULD NOT BE USED WITHOUT WRITTEN PERMISSION		CURRENT REV DESC: ADDED NEW VIEWS		
	DIMENSION UNITS	SCALE			
	MM	3:1			
	GENERAL TOLERANCES (UNLESS SPECIFIED)				
	ANGULAR TOL	± 1'			
4 PLACES ±					
3 PLACES ±					
2 PLACES ± 0.100		STATUS: Production			
1 PLACE ± 0.20		DRWN: Yu Chao Fu			
0 PLACES ±		CHK'D: Tom Smith			
DRAFT WHERE APPLICABLE MUST REMAIN WITHIN DIMENSIONS		THIRD ANGLE PROJECTION		APPR: Andy Proffitt	
		DRAWING		2023-04-17	
		SERIES		2025-10-28	
		MATERIAL NUMBER		2025-10-28	
		CUSTOMER		DOCUMENT NUMBER	
		D-SIZE		DOC TYPE   DOC PART   REVISION	
		33471		SD-33471-0001	
		SEE NOTE 2a		PSD 001 A3	
		GENERAL MARKET		SHEET NUMBER	
		5 OF 8			

**molex**

MX150 RCPT  
SINGLE ROW SEALED ASSY MAT SEAL

PRODUCT CUSTOMER DRAWING

DOCUMENT NUMBER | DOC TYPE | DOC PART | REVISION

SD-33471-0001 | PSD | 001 | A3

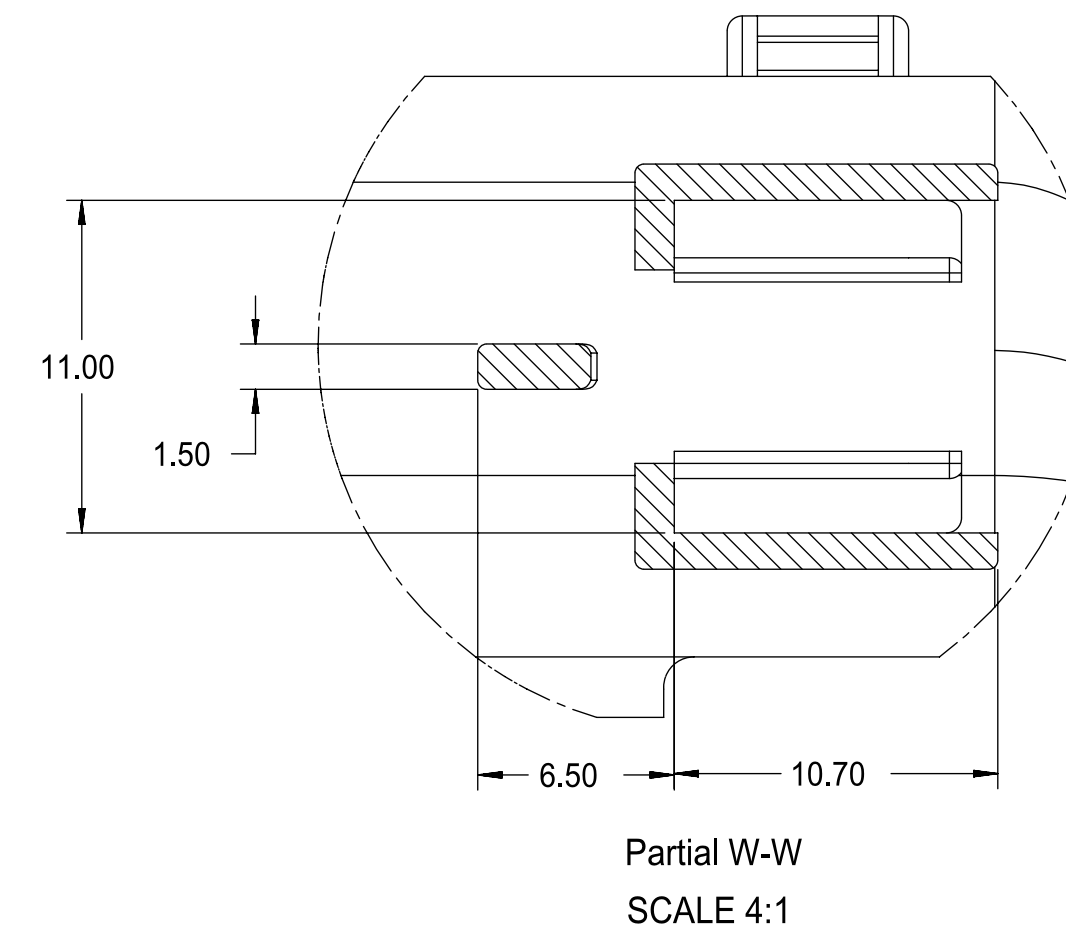
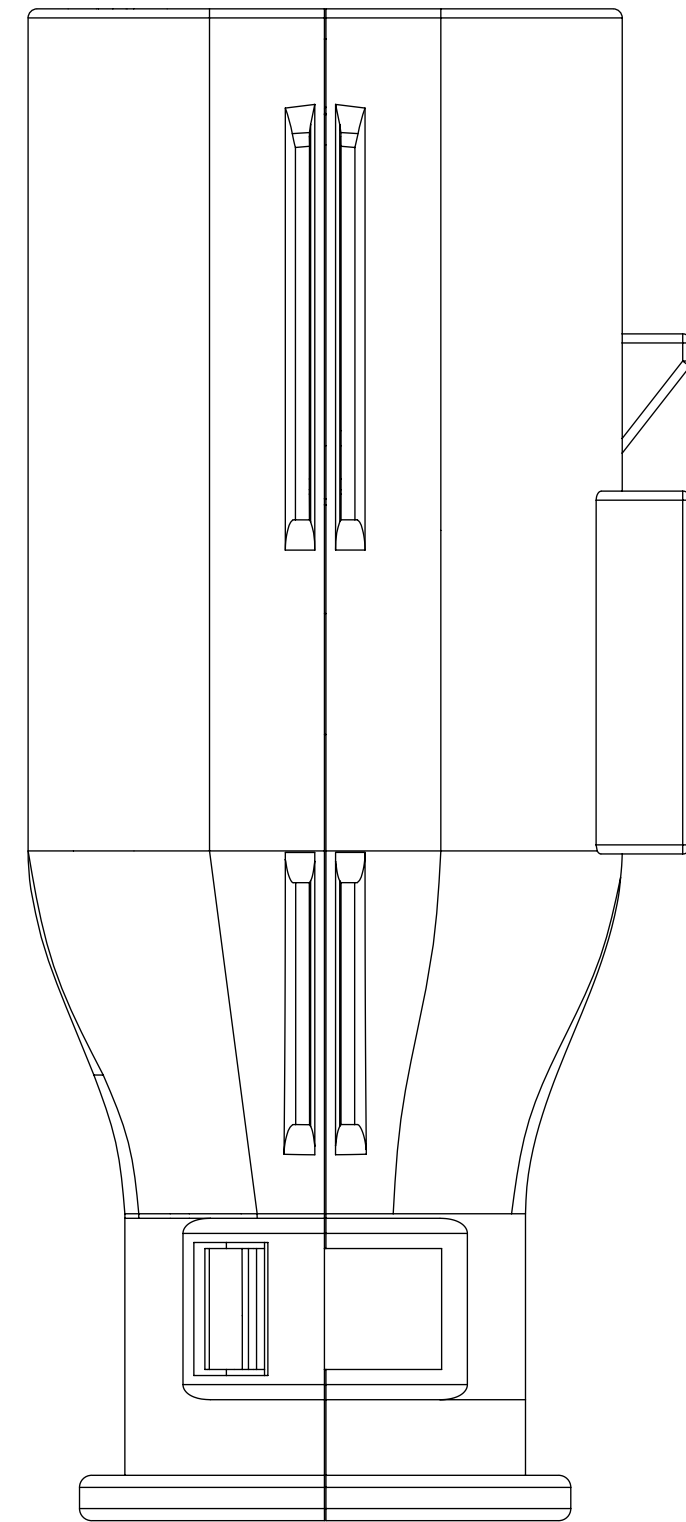
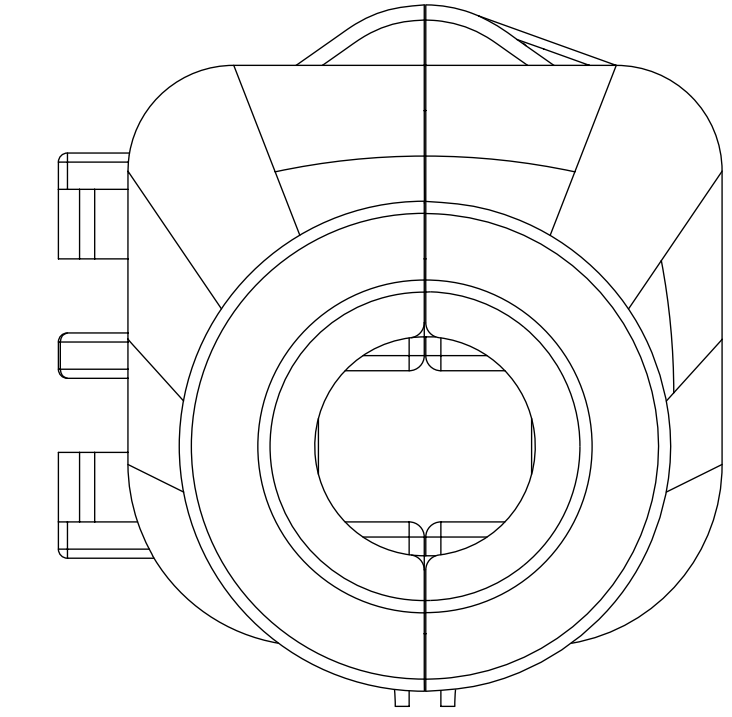
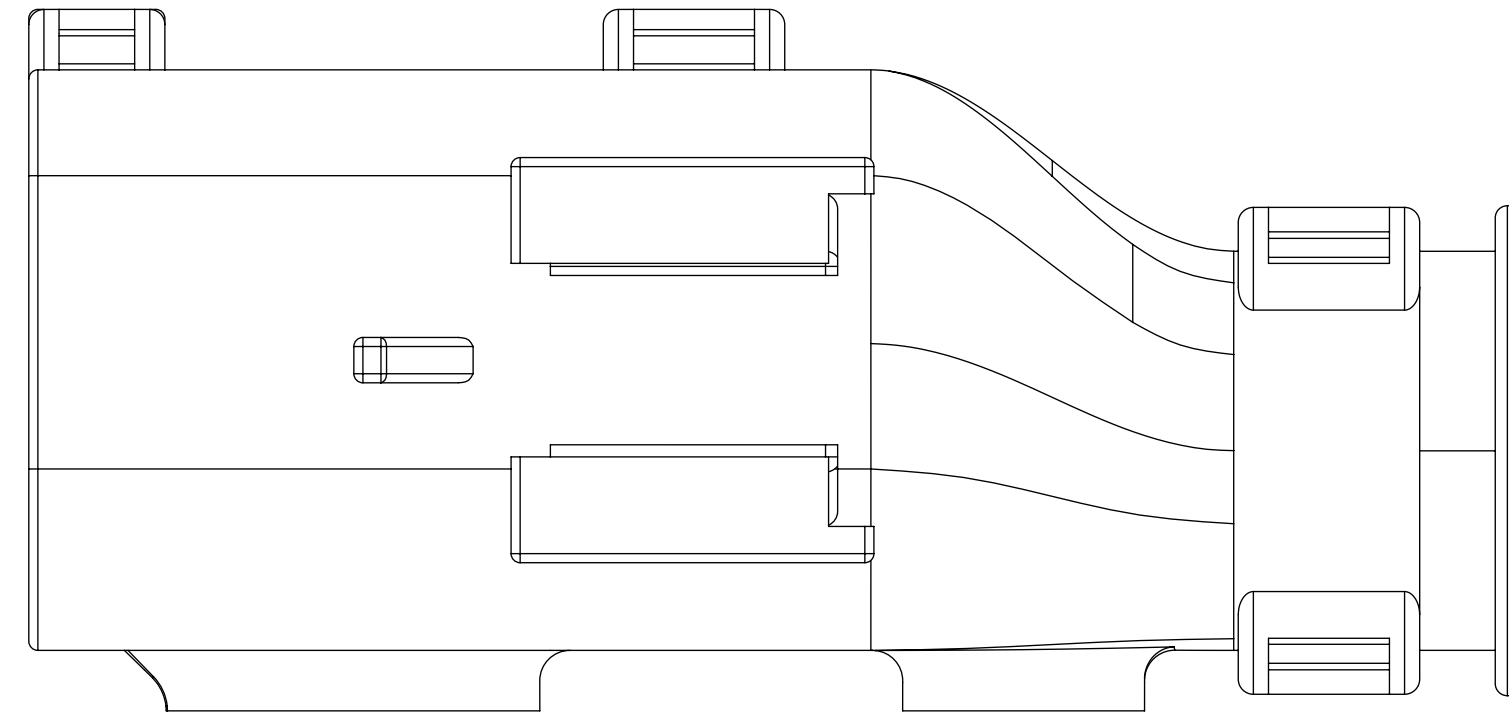
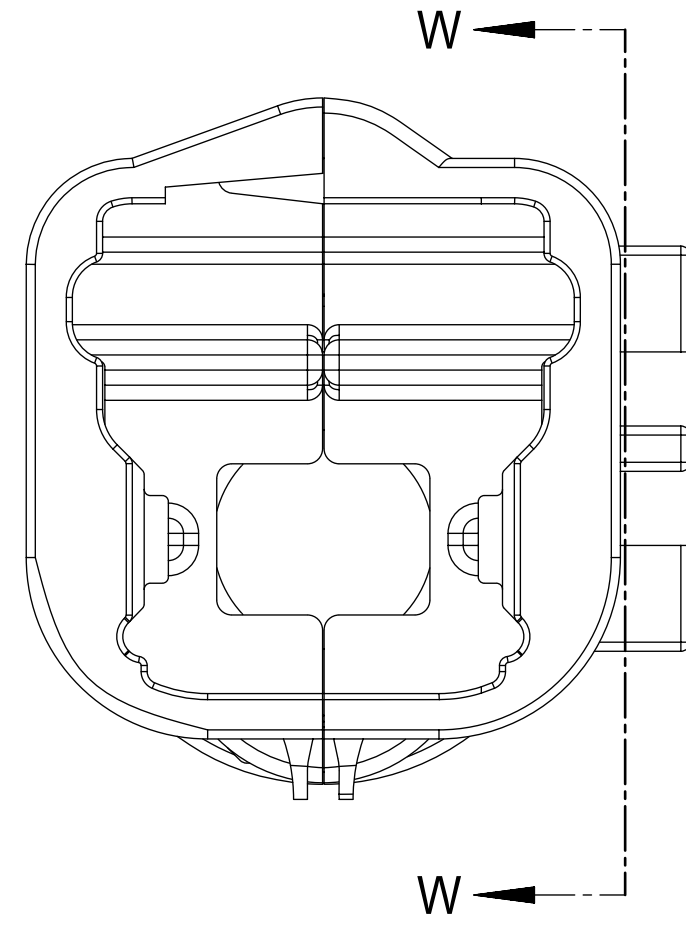
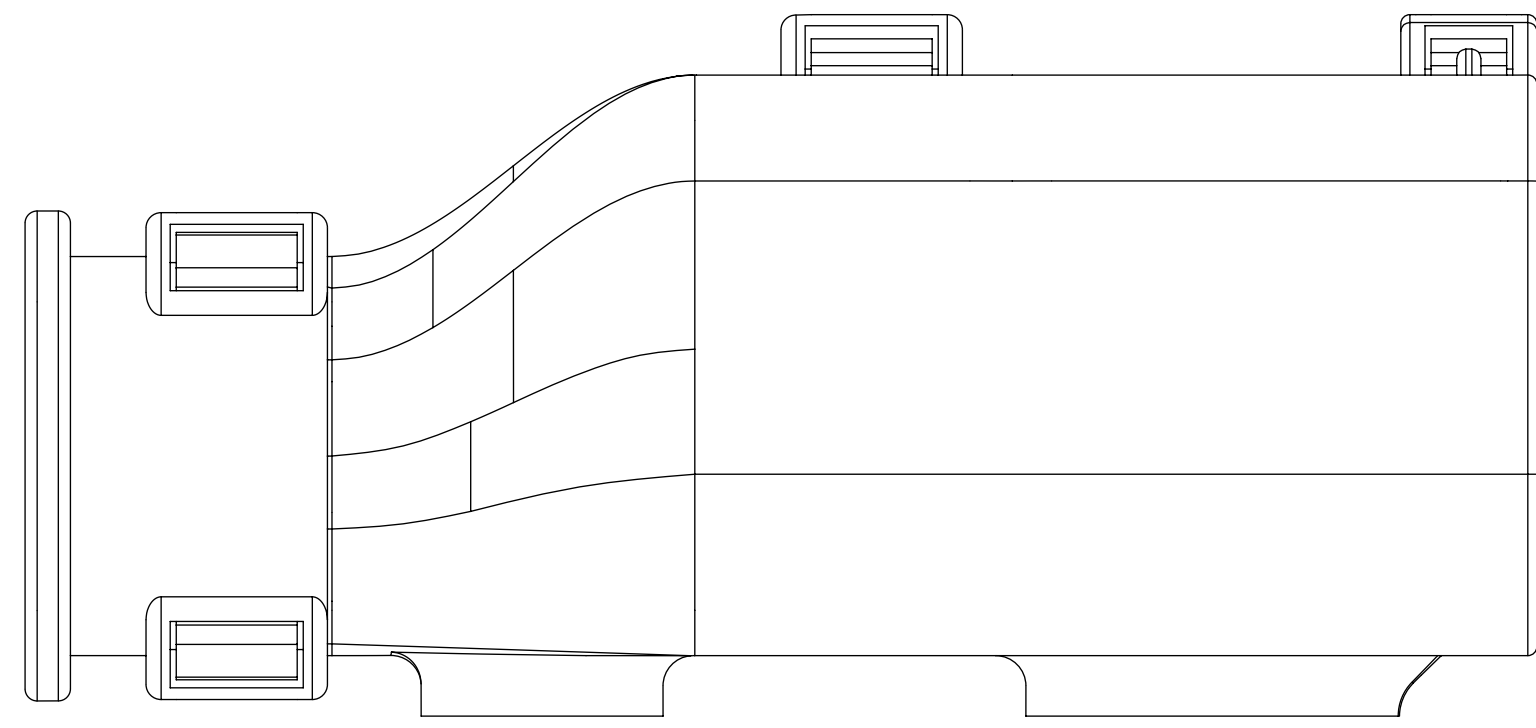
MATERIAL NUMBER | CUSTOMER | SHEET NUMBER

SEE NOTE 2a | GENERAL MARKET | 5 OF 8



**SHEET DESCRIPTION**

BACKSHELL



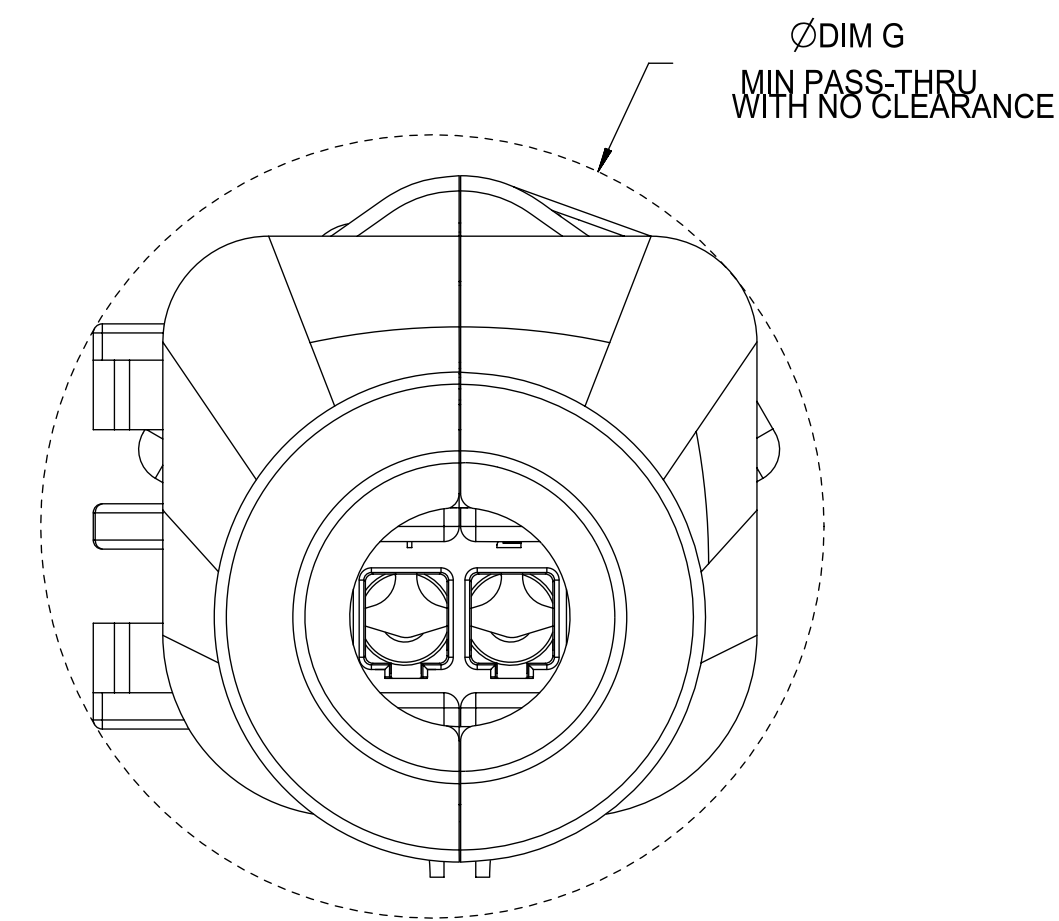
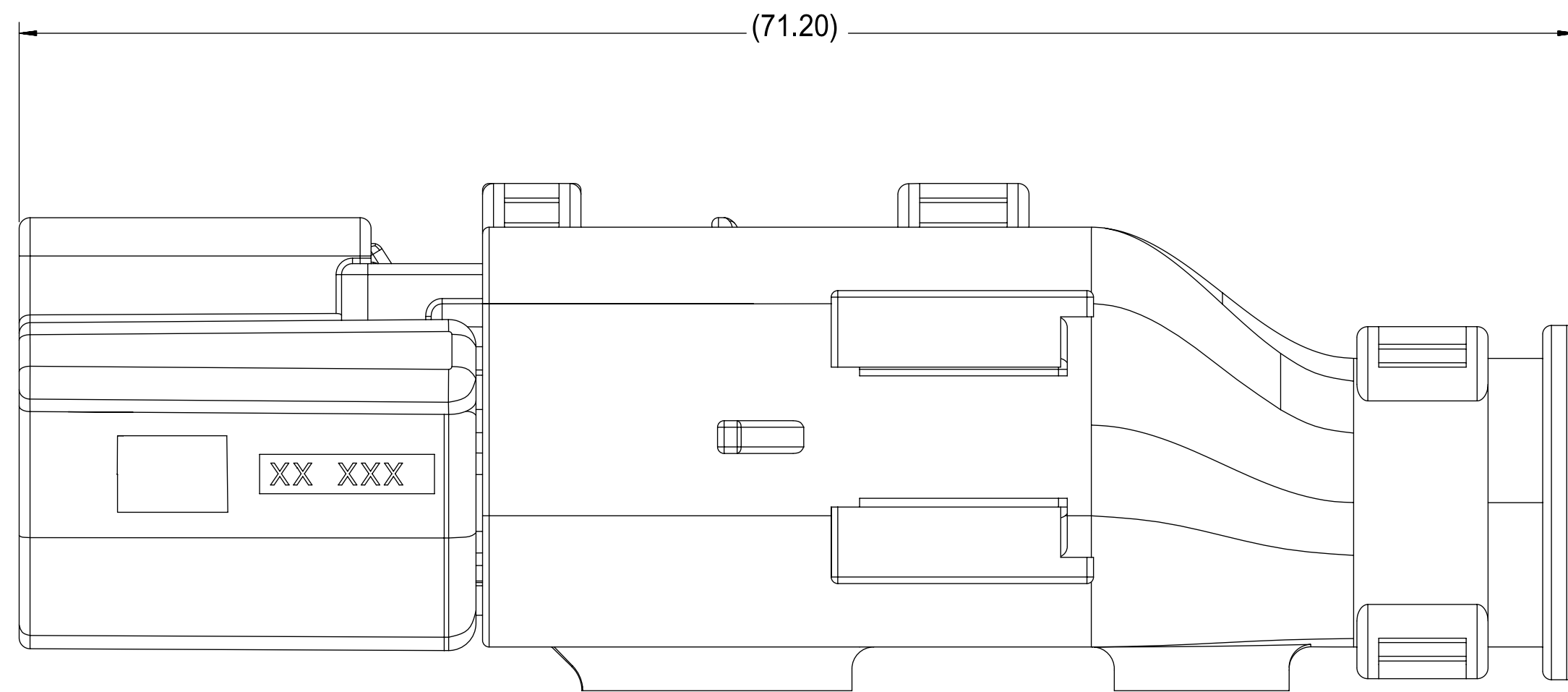
<b>FUNCTIONAL SYMBOLS</b> $F_A = 0$ $F_C = 0$ $F_D = 0$	THIS DRAWING CONTAINS INFORMATION THAT IS PROPRIETARY TO MOLEX ELECTRONIC TECHNOLOGIES, LLC AND SHOULD NOT BE USED WITHOUT WRITTEN PERMISSION		<b>molex</b> MX150 RCPT SINGLE ROW SEALED ASSY MAT SEAL					
	DIMENSION UNITS <b>MM</b>	SCALE <b>4:1</b>				PRODUCT CUSTOMER DRAWING		
	GENERAL TOLERANCES (UNLESS SPECIFIED)		STATUS: Production DRWN: Yu Chao Fu CHK'D: Tom Smith APPR: Andy Proffitt					
	ANGULAR TOL $\pm$ 1°					2023-04-17 2025-10-28 2025-10-28	DOCUMENT NUMBER <b>SD-33471-0001</b>	DOC TYPE <b>PSD</b>
<b>DIVISIONAL SYMBOLS</b> 4 PLACES $\pm$ 3 PLACES $\pm$ 2 PLACES $\pm$ 0.100 1 PLACE $\pm$ 0.20 0 PLACES $\pm$	DRAFT WHERE APPLICABLE MUST REMAIN WITHIN DIMENSIONS		THIRD ANGLE PROJECTION	DRAWING <b>D-SIZE</b>	SERIES <b>33471</b>	MATERIAL NUMBER SEE NOTE 2a	CUSTOMER GENERAL MARKET	SHEET NUMBER 7 OF 8

**SHEET DESCRIPTION**

BACKSHELL CONFIGURATIONS

**CHARTED DIMENSIONS**

DESCRIPTION	DIMENSIONS
	G
1X2	26.00



RECEPTACLE SEALED ASSEMBLY WITH RECEPTACLE BACKSHELL

<b>FUNCTIONAL SYMBOLS</b> FA = 0 FC = 0 FP = 0 <b>DIVISIONAL SYMBOLS</b>	THIS DRAWING CONTAINS INFORMATION THAT IS PROPRIETARY TO MOLEX ELECTRONIC TECHNOLOGIES, LLC AND SHOULD NOT BE USED WITHOUT WRITTEN PERMISSION		CURRENT REV DESC: ADDED NEW VIEWS		
	DIMENSION UNITS	SCALE	STATUS: Production		
	MM	4:1	DRWN: Yu Chao Fu		
	GENERAL TOLERANCES (UNLESS SPECIFIED)		CHK'D: Tom Smith		
	ANGULAR TOL ± 1°		APPR: Andy Proffitt		
4 PLACES ±	3 PLACES ±	2023-04-17	DOCUMENT NUMBER	DOC TYPE	
2 PLACES ± 0.100	1 PLACE ± 0.20	2025-10-28	SD-33471-0001	PSD	
0 PLACES ±	DRAFT WHERE APPLICABLE MUST REMAIN WITHIN DIMENSIONS	2025-10-28	SEE NOTE 2a	001	
THIRD ANGLE PROJECTION	DRAWING	SERIES	MATERIAL NUMBER	CUSTOMER	
	D-SIZE	33471	GENERAL MARKET	001	
SHEET NUMBER		8 OF 8			

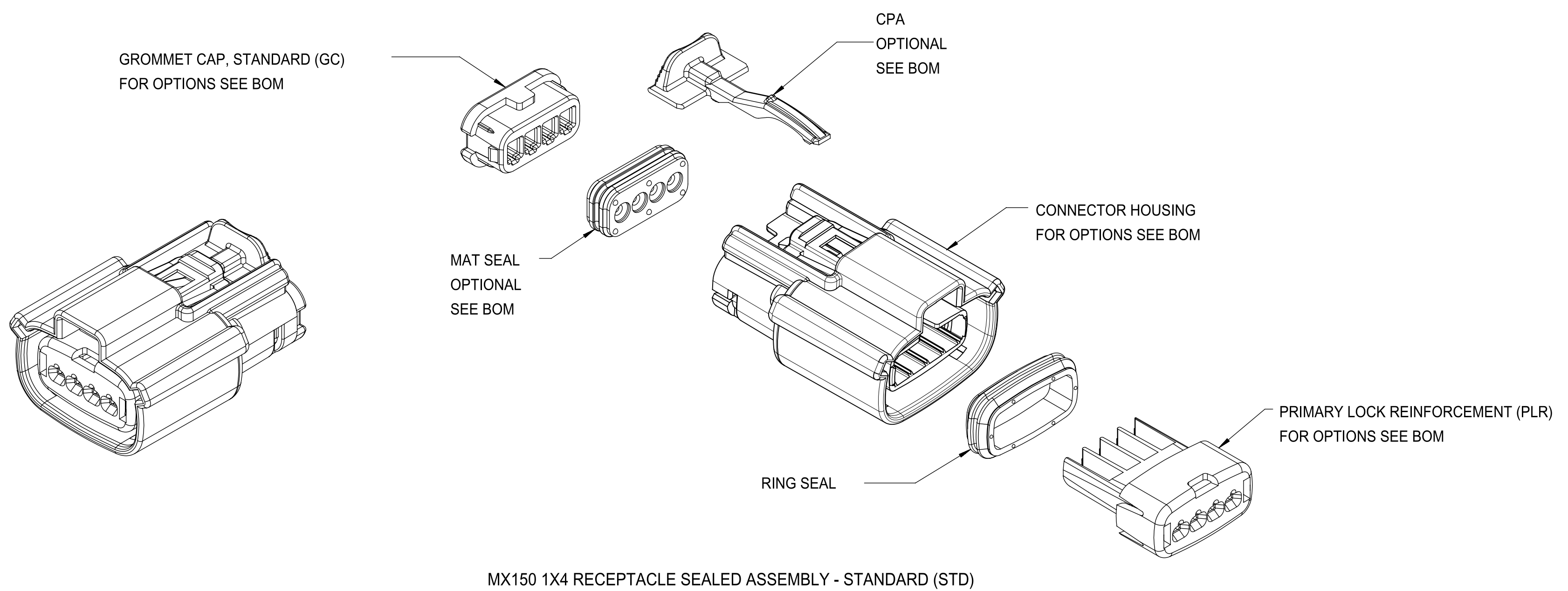
**molex**

MX150 RCPT  
SINGLE ROW SEALED ASSY MAT SEAL

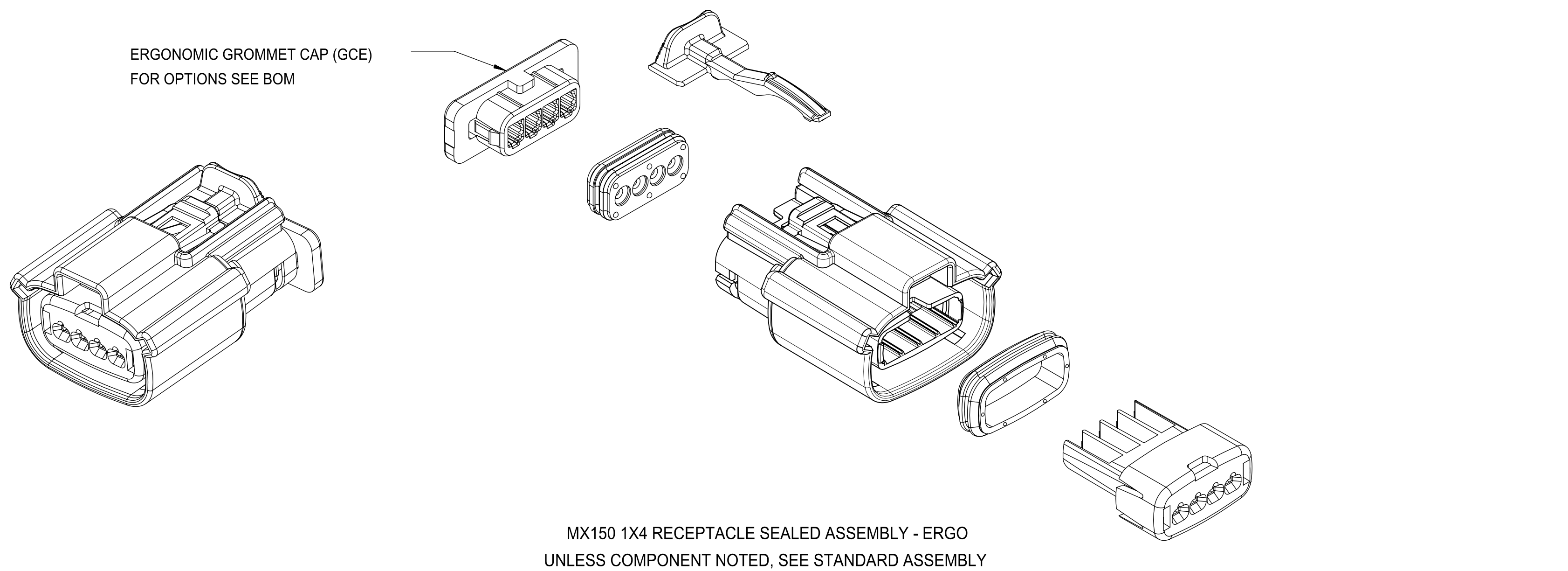
PRODUCT CUSTOMER DRAWING

DOCUMENT NUMBER: SD-33471-0001, DOC TYPE: PSD, DOC PART: 001, REVISION: A3

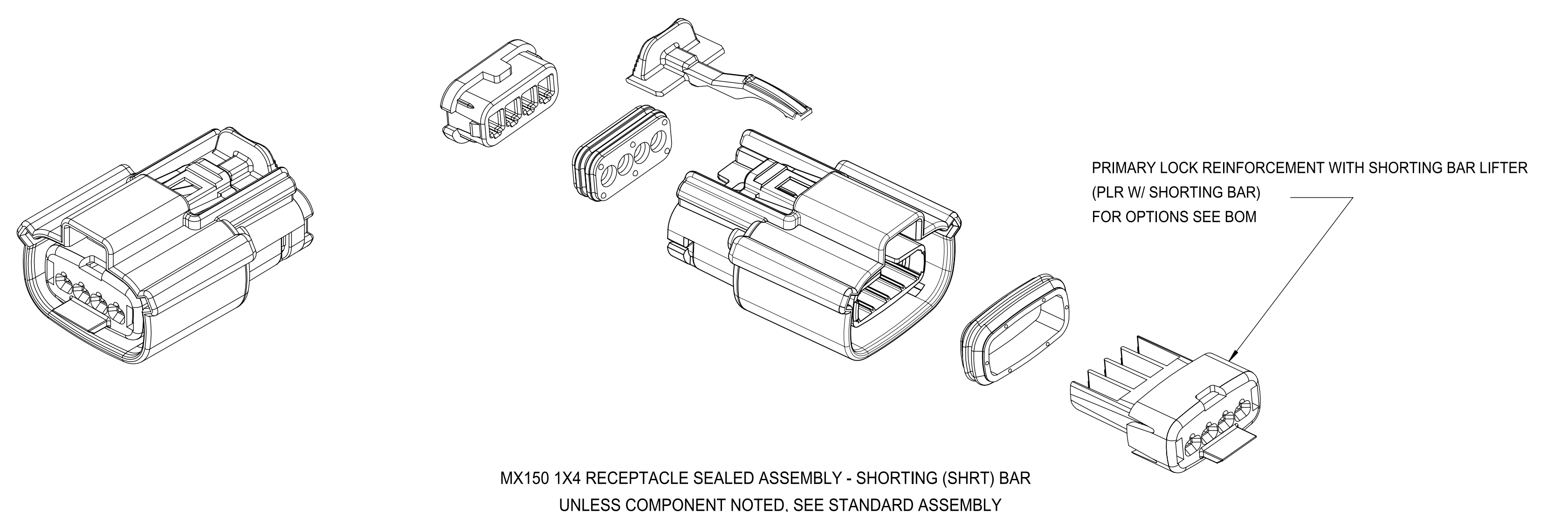
SHEET NUMBER: 8 OF 8



MX150 1X4 RECEPTACLE SEALED ASSEMBLY - STANDARD (STD)



MX150 1X4 RECEPTACLE SEALED ASSEMBLY - ERGO  
UNLESS COMPONENT NOTED, SEE STANDARD ASSEMBLY



MX150 1X4 RECEPTACLE SEALED ASSEMBLY - SHORTING (SHRT) BAR  
UNLESS COMPONENT NOTED, SEE STANDARD ASSEMBLY

TABLE OF CONTENTS	
SHEET NO.	SHEET DESCRIPTION
1-2	NOTES AND EXPLODED VIEW
3	KEY CONFIGURATIONS
4	RECEPTACLE SEALED ASSEMBLY
5-8	BOM

NOTES: VALID UNLESS OTHERWISE SPECIFIED

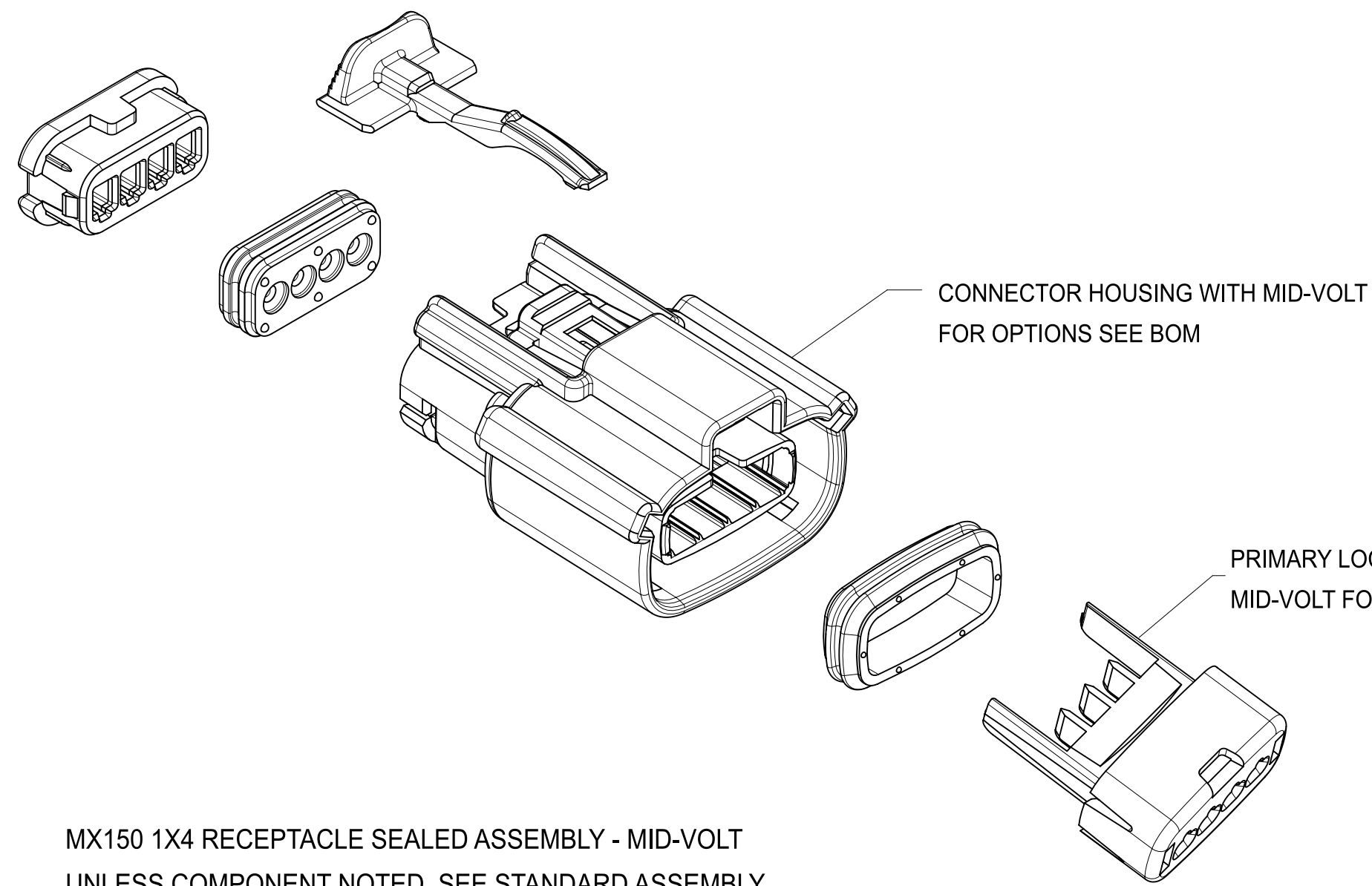
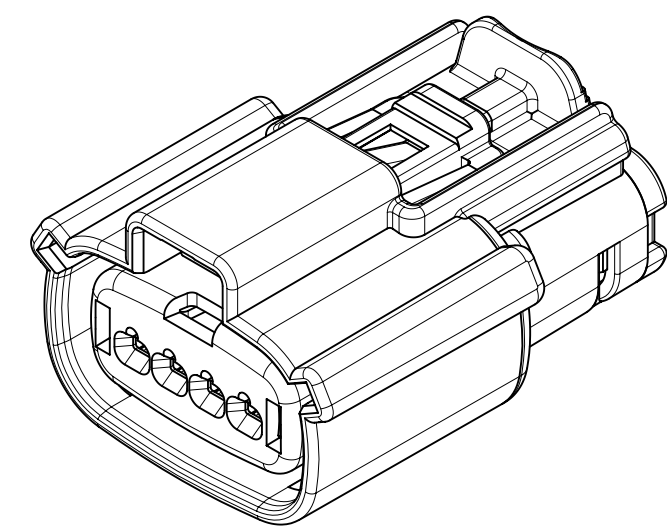
1. GENERAL:
  - a. APPLICATION SPECIFICATION SEE: AS-33472-100
    - CONTAINS: PRODUCT INTRODUCTION, PRODUCT SUMMARY, CONNECTOR ASSEMBLY, PACKAGING INFORMATION, CONNECTOR MATING, SERVICE INSTRUCTIONS, ELECTRICAL CONTINUITY CHECKING, CRIMPING, AND TROUBLESHOOTING.
    - STANDARD (NON-SHRT) CONFIGURATIONS DESIGNED TO MATE WITH DEVICE CONNECTION AS SPECIFIED IN DRAWING SD-33481-041 AND EWCAP 150-S-004-1-Z03, AVAILABLE AT <http://ewcap.uscarteams.org>
    - MID-VOLT CONFIGURATIONS DESIGNED TO MATE WITH INTERFACE EWCAP 150-S-004-1-Z03 ONLY
    - SHORTING BAR CONFIGURATIONS DESIGNED TO MATE WITH BLADE SEALED ASSEMBLY SPECIFIED IN DRAWING SD-31280-200
    - FOR 1.5mm RECEPTACLE TERMINALS TO BE USED WITH THIS ASSEMBLY. SEE MOLEX DRAWING SD-33012-002.
    - SYSTEM TO BE USED WITH WIRE WITHIN DIAMETER RANGE OF 1.2mm TO 2.69mm.
    - ASSEMBLY SHIPPED WITH PLR AND CPA IN PRE-LOCK POSITION (SEE SECTION Z-Z PRE-LOCK).
    - IN THE EVENT THAT THE PLR IS FOUND IN THE SEATED (FINAL LOCK) POSITION, REFER TO MOLEX SPECIFICATION PS-34646-001, AVAILABLE AT [www.molex.com](http://www.molex.com) <<http://www.molex.com>>
    - ASSEMBLY CONFORMS TO SAE/USCAR-2 REV 4 WITH THE FOLLOWING EXCEPTIONS: ENGAGEMENT FORCE TO MOVE CPA FROM PRE-LOCK TO FINAL LOCK POSITION: 40N MIN. DISENGAGEMENT FORCE TO MOVE CPA FROM FINAL LOCK TO PRE-LOCK POSITION: 3N MIN, 40N MAX. TERMINAL INSERTION FORCE FOR WIRE DIAMETER ABOVE 2.5mm AND NOT EXCEEDING 2.69mm SHALL NOT EXCEED 40 NEWTONS.
  - b. PRODUCT SPECIFICATION SEE: PS-33471-000
    - CONTAINS: PRODUCT INTRODUCTION, PRODUCT SUMMARY, RATINGS (CURRENT, TEMPERATURE, SEALING, AND FLAMMABILITY), AND PRODUCT VALIDATION.
  - c. PACKAGING SPECIFICATION PER MOLEX DRAWING: PK-31300-903
  - d. PARTS MUST BE IN COMPLIANCE TO MOLEX CHEMICAL SUBSTANCES FOR PRODUCTS AND PACKAGING SPECIFICATION: ES-40000-5016
  - e. DATA MUST BE SUBMITTED UNDER THE MOLEX PART NUMBER TO IMDS (COMPANY ID#13255)
2. DESIGN - MATERIALS:
  - a. SEE BOM TABLE
3. DESIGN - GEOMETRY:
  - a. THIS IS A 100% CAD GENERATED PART. THE CAD MATHEMATICAL DATA IS THE MASTER FOR THIS PART. FOR DIMENSIONAL OR ANY INFORMATION NOT SHOWN ON THIS DRAWING, ANALYZE THE CAD MODEL.
  - b. GEOMETRIC DIMENSIONS AND TOLERANCES PER ASME Y14.5M - 1994
  - c. EDGES AND UNDIMENSIONED DETAILS PER ISO13715
  - d. CORNERS SHOWN AS SHARP TO BE R 0.2 MAX.
  - e. LETTERING SHALL BE 0.15 MAX RAISED IN 0.25 MAX RECESS PAD. THIS INCLUDES RECYCLING CODE, CAVITY ID, VENDOR IDENTIFICATION, AND CUSTOMER MATERIAL NUMBER.
  - f. VISUAL DEFECTS SHALL MEET COSMETIC STANDARD PS-45499-002 (Class B)
  - g. LASER MARKING: TBD

W13	ADDED 3003634111 PART NUMBER AND SWIM LANES ON SHEET 8
W12	UPDATED DESIGN CHANGE - ADDED RELIEF SLOT
W11	UPDATED P/N 300363-4016/4006/4001 STATUS TO CONCEPT DESIGN
W10	ADD NEW P/N 33471-0499
W9	UPDATED MID-VOLT STATUS FROM "OK TO TOOL" TO "SALEABLE" ON SHEET 8
W8	ADDED MID-VOLT VERSION ASSEMBLY
W7	ADD NEW P/N 33471-0498
W6	ADD NEW P/N 33471-0497
W5	ADD NEW P/N 33471-0496
W4	ADD NEW P/N 33471-0495
W3	UPDATED THE DRAWING FRAME
W2	ADD NEW P/N 33471-0494
W1	ADD NEW P/N 33471-0493
REV	DESCRIPTION

INSPECTION NUMBER LOG  
LAST NUMBER USED: 5  
ADDED:  
REMOVED: 2

FUNCTIONAL SYMBOLS $F_A = 0$ $F_C = 0$ $F_P = 0$ DIVISIONAL SYMBOLS	THIS DRAWING CONTAINS INFORMATION THAT IS PROPRIETARY TO MOLEX ELECTRONIC TECHNOLOGIES, LLC AND SHOULD NOT BE USED WITHOUT WRITTEN PERMISSION		CURRENT REV DESC: ADDED NEW PART NUMBER	
	DIMENSION UNITS	SCALE		
	MM	2:1		
	GENERAL TOLERANCES (UNLESS SPECIFIED)			
ANGULAR TOL		±	3°	
4 PLACES		±		
3 PLACES		±		
2 PLACES		±	0.100	
1 PLACE		±	0.30	
0 PLACES		±		
DRAFT WHERE APPLICABLE MUST REMAIN WITHIN DIMENSIONS		THIRD ANGLE PROJECTION		
			DRAWING	SERIES
			D-SIZE	33471
			MATERIAL NUMBER	CUSTOMER
			SD-33471-041	GENERAL MARKET
			DOCUMENT NUMBER	DOC TYPE DOC PART REVISION
			2025-09-30	PSD 002 W13
			2025-10-28	
			2025-10-28	
			STATUS: Production	
			DRWN: Shekar S B	
			CHK'D: Tom Smith	
			APPR: Andy Proffitt	
			SHEET NUMBER	1 OF 8

W8



CONNECTOR HOUSING WITH MID-VOLT  
FOR OPTIONS SEE BOM

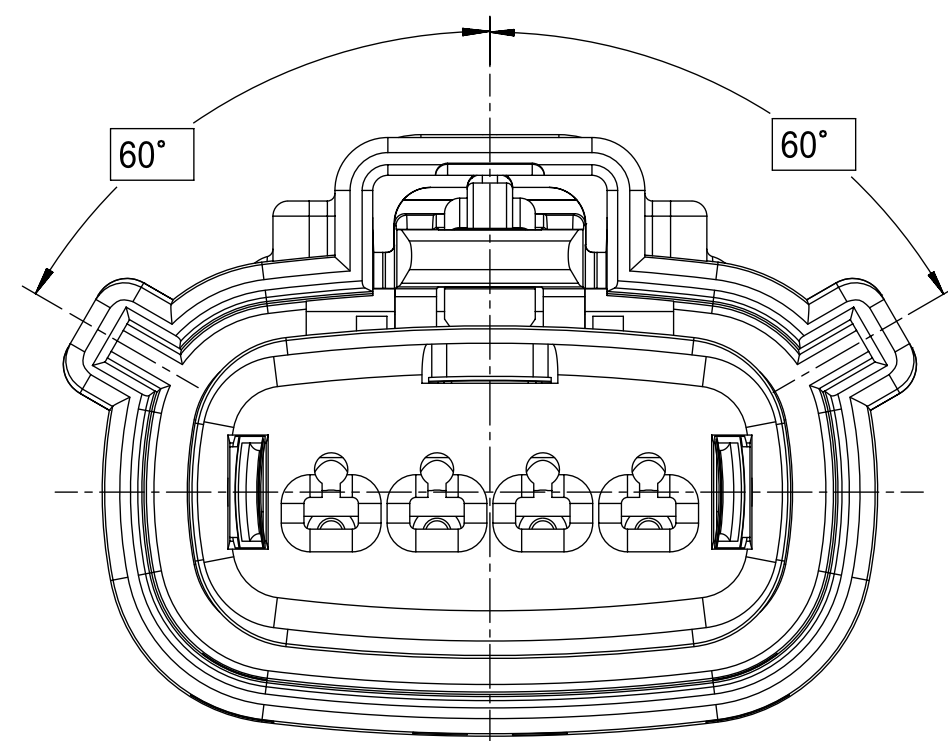
PRIMARY LOCK REINFORCEMENT (PLR) WITH  
MID-VOLT FOR OPTIONS SEE BOM

MX150 1X4 RECEPTACLE SEALED ASSEMBLY - MID-VOLT  
UNLESS COMPONENT NOTED, SEE STANDARD ASSEMBLY

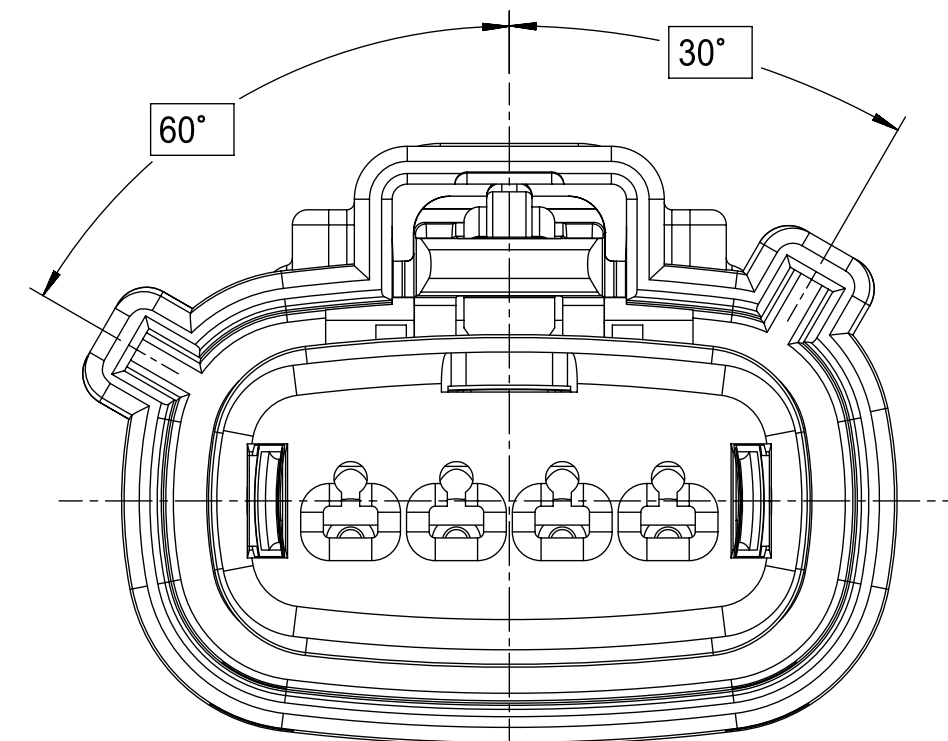
### MID-VOLT VIEW AND KEY CONFIGURATIONS

<b>FUNCTIONAL SYMBOLS</b> FA = 0 FC = 0 FD = 0 <b>DIVISIONAL SYMBOLS</b>	THIS DRAWING CONTAINS INFORMATION THAT IS PROPRIETARY TO MOLEX ELECTRONIC TECHNOLOGIES, LLC AND SHOULD NOT BE USED WITHOUT WRITTEN PERMISSION		
	DIMENSION UNITS	SCALE	CURRENT REV DESC: ADDED NEW PART NUMBER
	MM	2:1	
	GENERAL TOLERANCES (UNLESS SPECIFIED)		
	ANGULAR TOL	± 3'	
	4 PLACES	±	
	3 PLACES	±	
2 PLACES	± 0.100	STATUS: Production	
1 PLACE	± 0.30	DRWN: Shekar S B	
0 PLACES	±	CHK'D: Tom Smith	
		APPR: Andy Proffitt	
DRAFT WHERE APPLICABLE MUST REMAIN WITHIN DIMENSIONS	THIRD ANGLE PROJECTION	DRAWING	SERIES
		D-SIZE	33471
		MATERIAL NUMBER	CUSTOMER
		SD-33471-041	GENERAL MARKET
		DOCUMENT NUMBER	DOC TYPE   DOC PART   REVISION
			PSD   002   W13
		DATE	SHEET NUMBER
		2025-09-30	2 OF 8
		2025-10-28	
		2025-10-28	

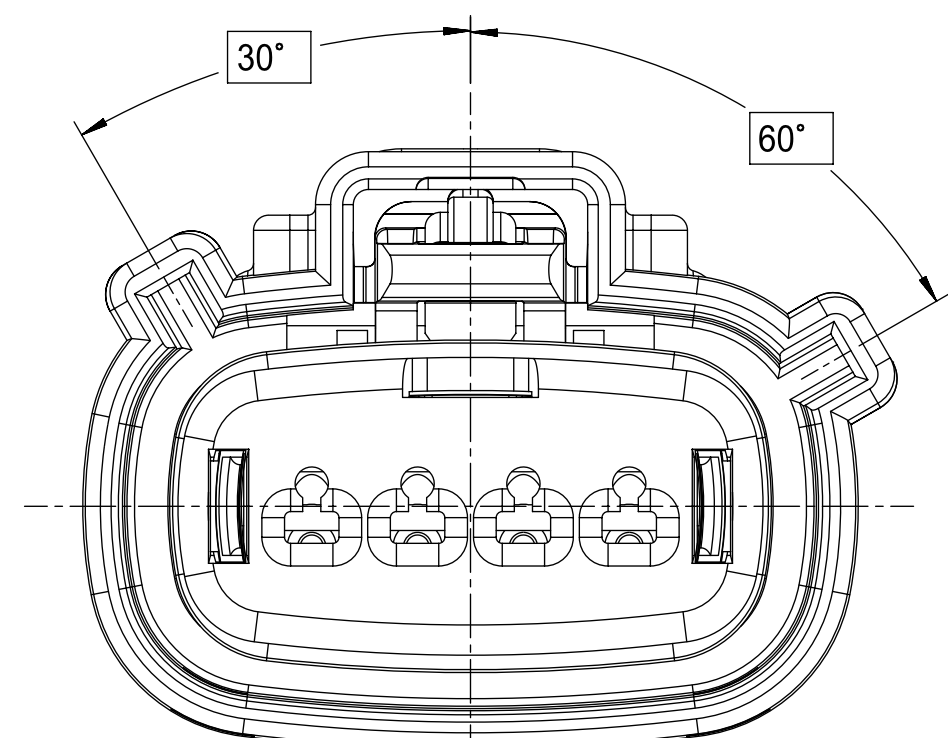
KEY CONFIGURATIONS



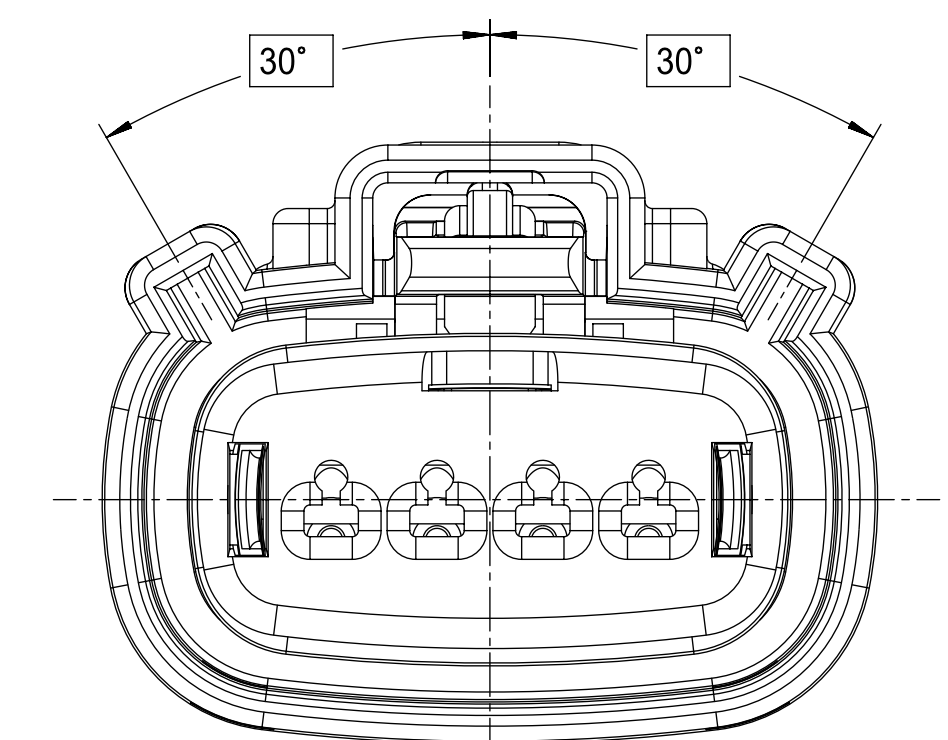
KEY A



KEY B

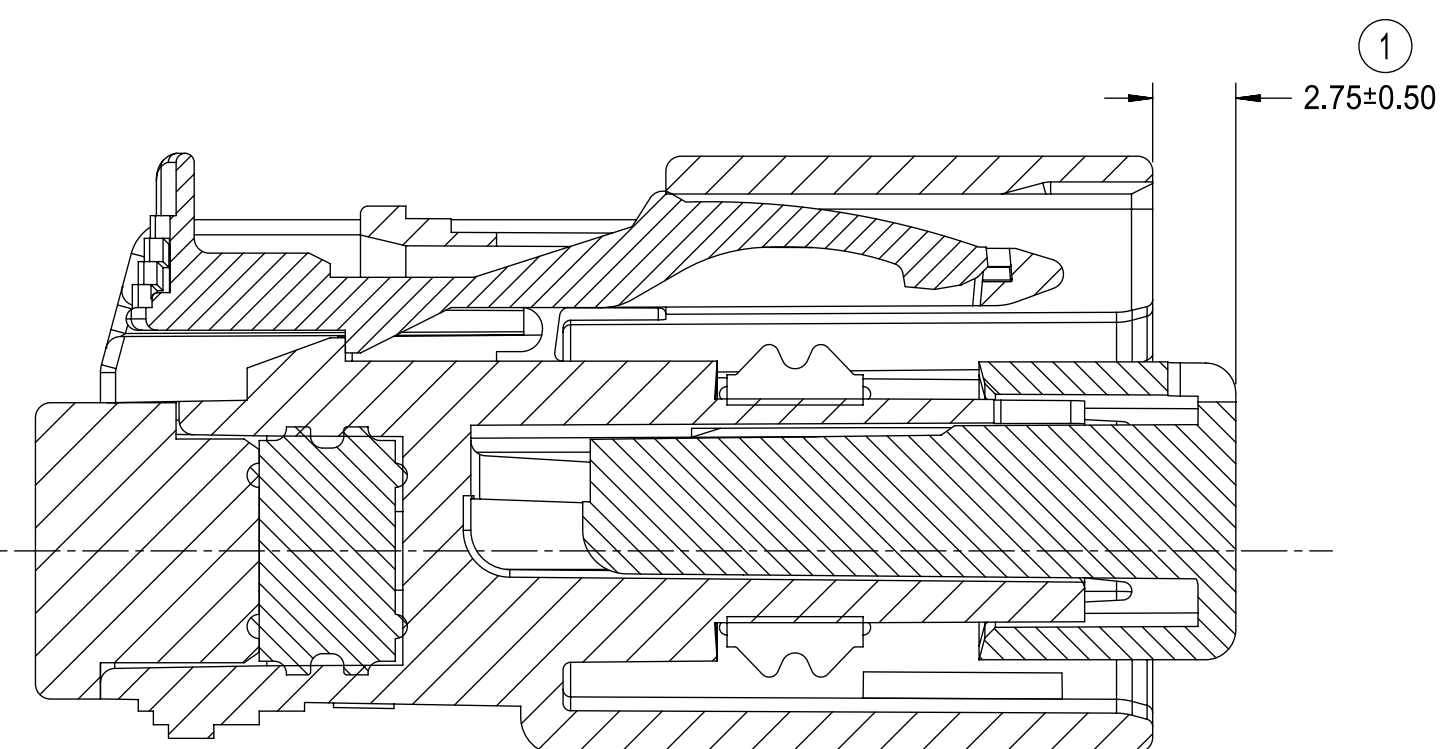
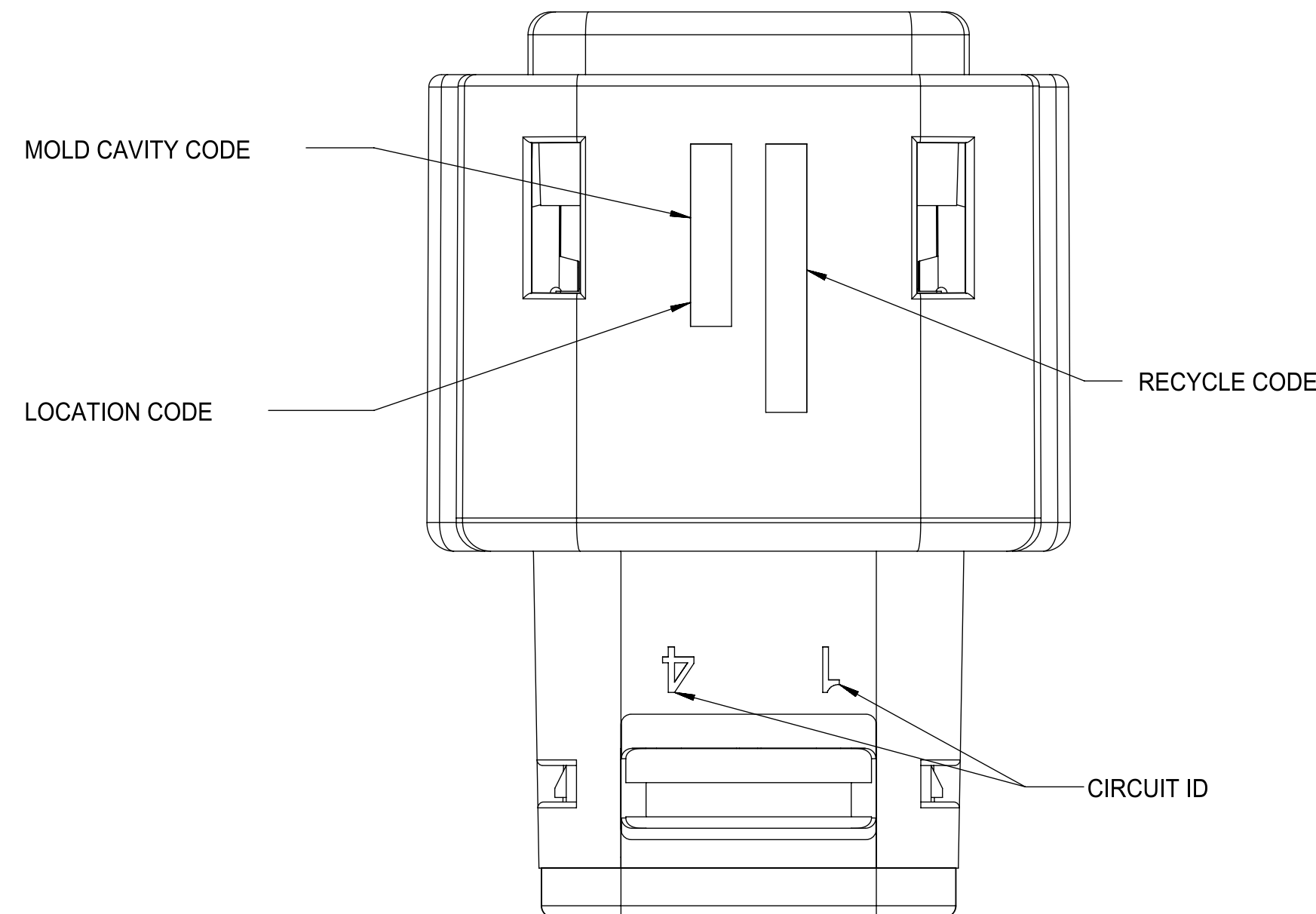
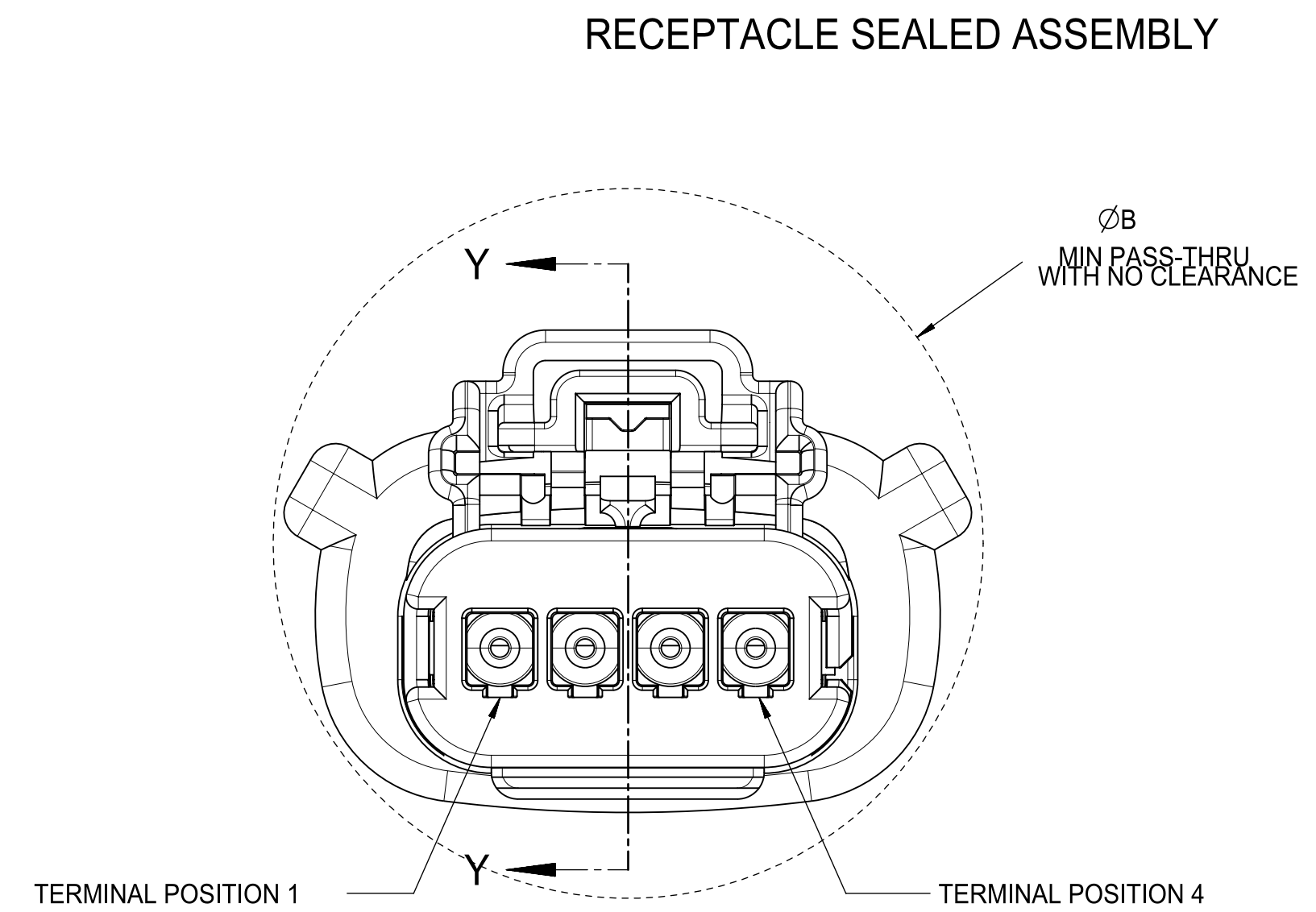
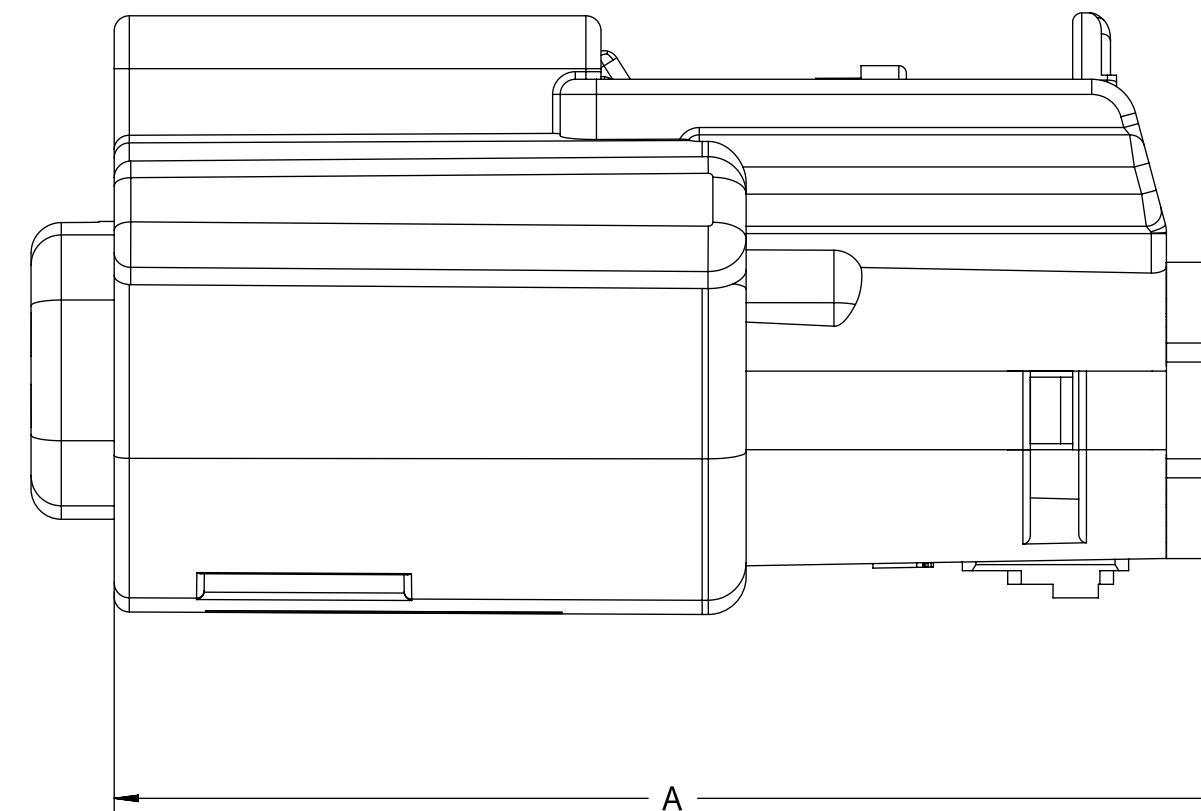
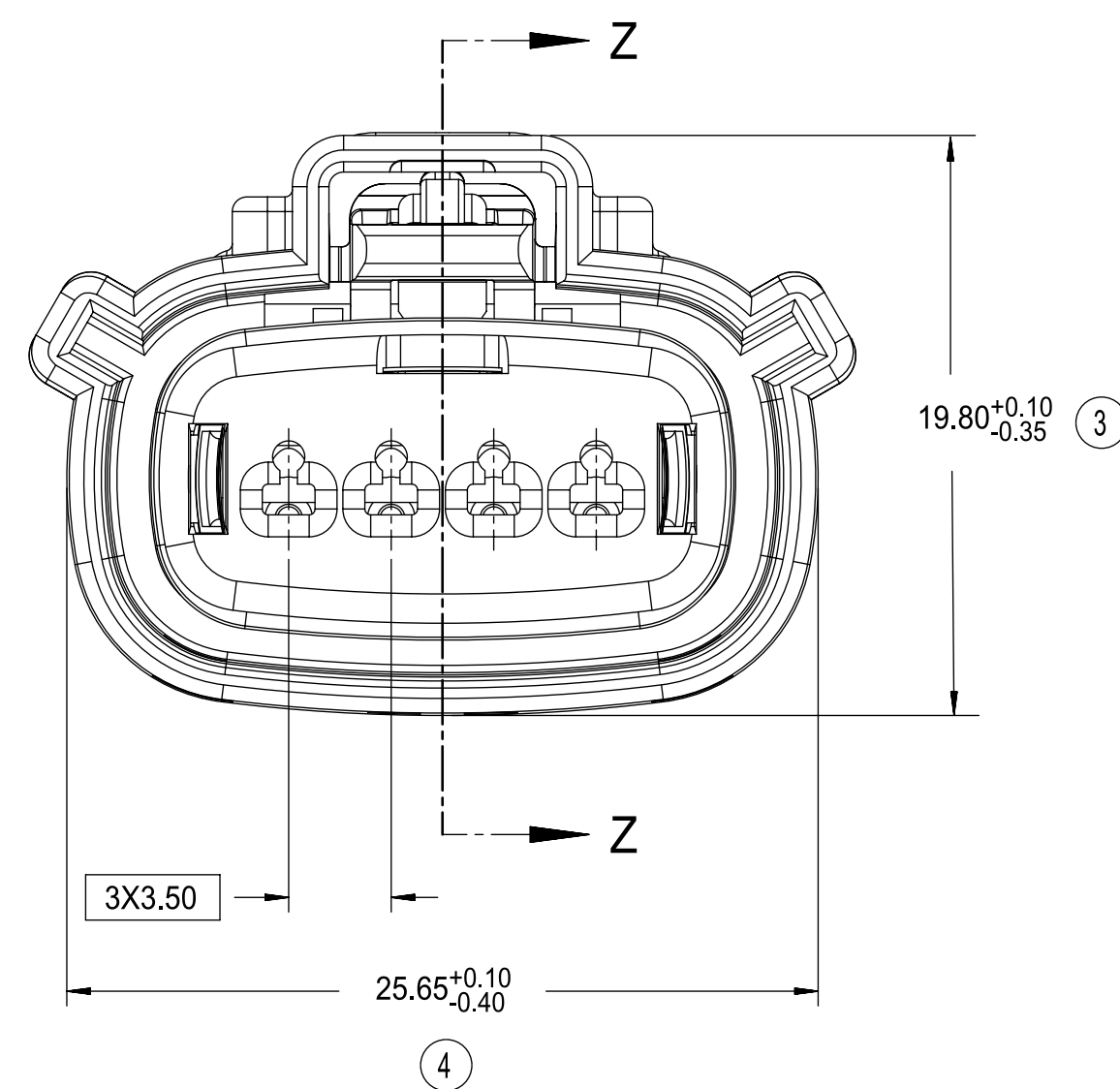
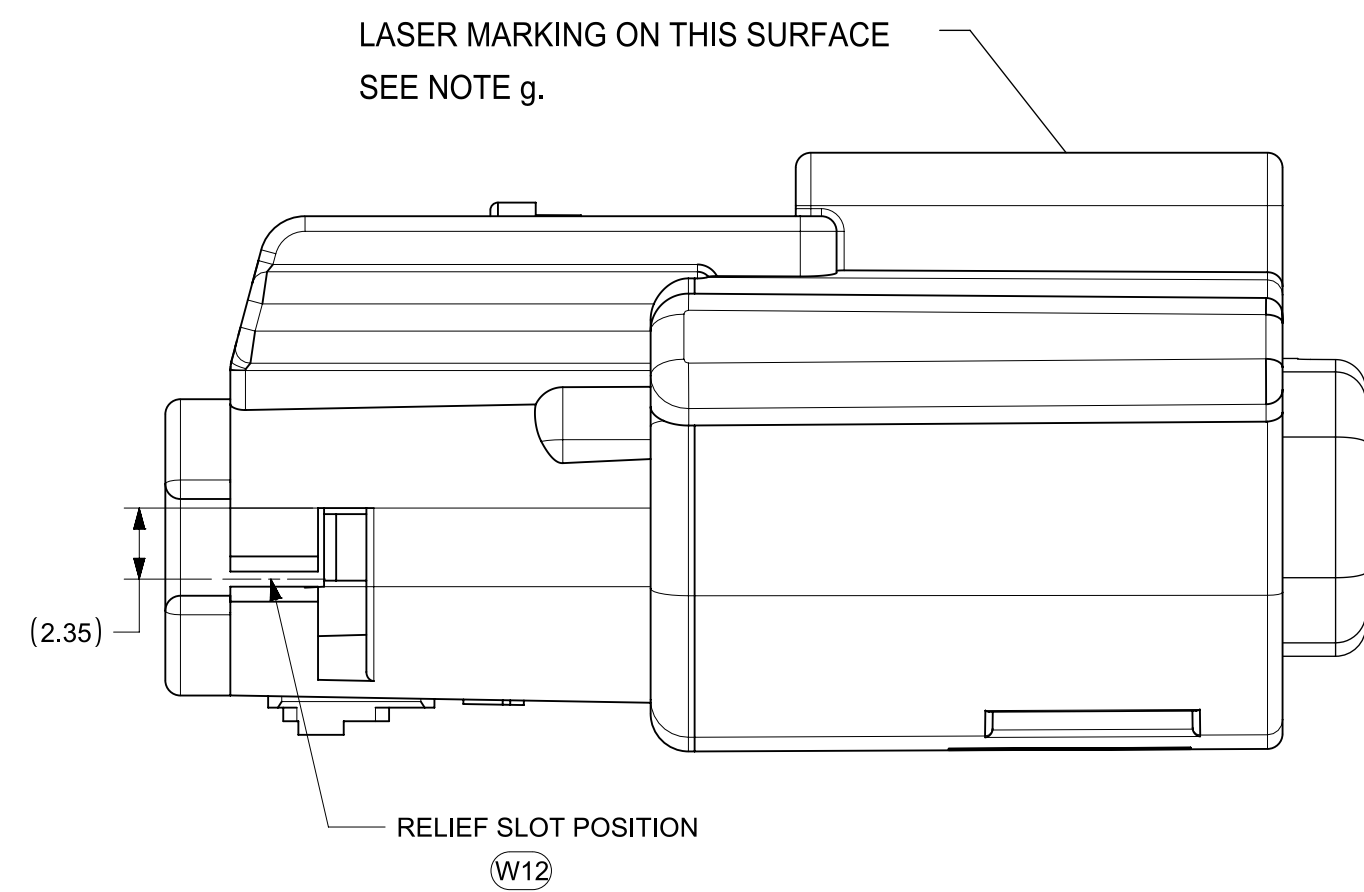


KEY C

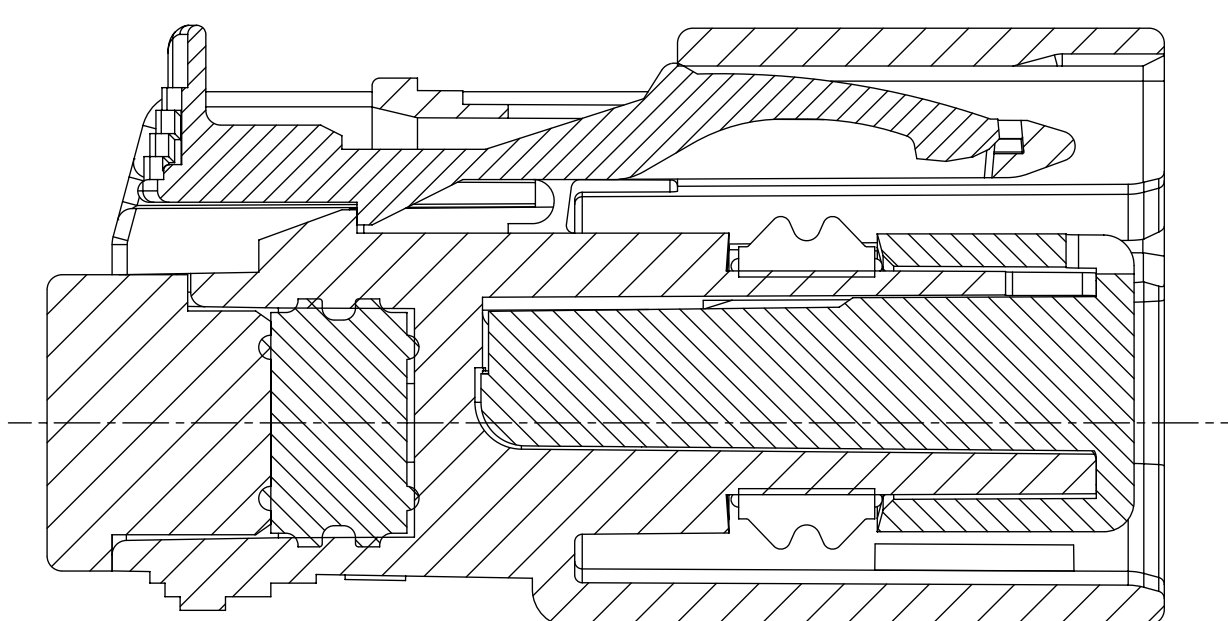


KEY D

FUNCTIONAL SYMBOLS	THIS DRAWING CONTAINS INFORMATION THAT IS PROPRIETARY TO MOLEX ELECTRONIC TECHNOLOGIES, LLC AND SHOULD NOT BE USED WITHOUT WRITTEN PERMISSION		
	DIMENSION UNITS	SCALE	CURRENT REV DESC: ADDED NEW PART NUMBER
$\nabla_A = 0$	MM	4:1	STATUS: Production DRWN: Shekar S B CHK'D: Tom Smith APPR: Andy Proffitt
$\nabla_C = 0$	GENERAL TOLERANCES (UNLESS SPECIFIED)		
$\nabla_D = 0$	ANGULAR TOL $\pm$ 3°		
DIVISIONAL SYMBOLS	4 PLACES	$\pm$	
	3 PLACES	$\pm$	
	2 PLACES	$\pm$ 0.100	
	1 PLACE	$\pm$ 0.30	
	0 PLACES	$\pm$	
DRAFT WHERE APPLICABLE MUST REMAIN WITHIN DIMENSIONS		THIRD ANGLE PROJECTION	2025-09-30 2025-10-28 2025-10-28
		DRAWING	SHEET NUMBER
		D-SIZE	33471
		MATERIAL NUMBER	CUSTOMER
		SD-33471-041	GENERAL MARKET
		DOC TYPE	DOC PART
		PSD	002
		REVISION	W13
		SHEET NUMBER	3 OF 8



PRIMARY LOCK REINFORCEMENT (PLR) SHOWN IN PRE-STAGED POSITION  
SECTION Z-Z



PRIMARY LOCK REINFORCEMENT (PLR) SHOWN IN FINAL-LOCK POSITION  
SECTION Y-Y

CHARTED DIMENSIONS		
CONFIGURATION	A	B
MX150 1X4 RECPT SEALED ASSY - STANDARD	36.95 ±0.70	29.14
MX150 1X4 RECPT SEALED ASSY - ERGO	36.95 ±0.90	29.33
MX150 1X4 RECPT SEALED ASSY - SHORTING (SHRT) BAR	36.95 ±0.70	29.14

FUNCTIONAL SYMBOLS $F_A = 0$ $F_C = 0$ $F_D = 0$	THIS DRAWING CONTAINS INFORMATION THAT IS PROPRIETARY TO MOLEX ELECTRONIC TECHNOLOGIES, LLC AND SHOULD NOT BE USED WITHOUT WRITTEN PERMISSION DIMENSION UNITS: <b>MM</b> SCALE: <b>4:1</b> CURRENT REV DESC: ADDED NEW PART NUMBER				
	GENERAL TOLERANCES (UNLESS SPECIFIED) ANGULAR TOL ± 3°			STATUS: Production DRWN: Shekar S B CHK'D: Tom Smith APPR: Andy Proffitt	
	DIVISIONAL SYMBOLS 4 PLACES ± 3 PLACES ± 2 PLACES ± 0.100 1 PLACE ± 0.30 0 PLACES ±				2025-09-30 2025-10-28 2025-10-28
	DRAFT WHERE APPLICABLE MUST REMAIN WITHIN DIMENSIONS				THIRD ANGLE PROJECTION 
PRODUCT CUSTOMER DRAWING DOCUMENT NUMBER: <b>SD-33471-041</b> DOC TYPE: PSD DOC PART: 002 REVISION: W13		MATERIAL NUMBER: GENERAL MARKET CUSTOMER: GENERAL MARKET SHEET NUMBER: 4 OF 8			

ASSEMBLY DESCRIPTION	ASSEMBLY PART NUMBER	A	B	C	D	C	C	D	GCO	GCP	GCEO	GCEP	P	PS	M	CPA	1	2	3	4	STATUS	COMMENTS
VOID KEY	33471-0440																					
KEY D W/ SHRT. BAR, GREEN	33471-0439				D				GCO					PS	M						NOT RECOMMENDED	SEE P/N 33471-0481
KEY C W/ SHRT. BAR, BROWN	33471-0438				C				GCO					PS	M						NOT RECOMMENDED	SEE P/N 33471-0480
KEY B W/ SHRT. BAR, LT. GRAY	33471-0437			B					GCO					PS	M							
KEY A W/ SHRT. BAR, BLACK	33471-0436	A							GCO					PS	M						SALEABLE	
VOID KEY	33471-0435																					
KEY D W/O MAT SEAL, GREEN	33471-0434				D				GCO					P							NOT RECOMMENDED	SEE P/N 33471-0479
KEY C W/O MAT SEAL, BROWN	33471-0433				C				GCO					P							NOT RECOMMENDED	SEE P/N 33471-0478
KEY B W/O MAT SEAL, LT. GRAY	33471-0432			B					GCO					P							NOT VALIDATED	NOT VALIDATED
KEY A W/O MAT SEAL, BLACK	33471-0431	A							GCO					P							SALEABLE	NOT VALIDATED
VOID KEY	33471-0430																					
KEY D W/ CPA, GREEN	33471-0429				D				GCP					P	M	CPA	1			4	NOT RECOMMENDED	SEE P/N 33471-0477
KEY C W/ CPA, BROWN	33471-0428				C				GCP					P	M	CPA	1			4	NOT RECOMMENDED	SEE P/N 33471-0476
KEY B W/ CPA, LT. GRAY	33471-0427			B					GCP					P	M	CPA	1			4		
KEY A W/ CPA, BLACK	33471-0426	A							GCP					P	M	CPA	1			4	SALEABLE	
VOID KEY	33471-0425																					
KEY D, GREEN	33471-0424				D				GCP					P	M		1			4	NOT RECOMMENDED	SEE P/N 33471-0475
KEY C, BROWN	33471-0423				C				GCP					P	M		1			4	NOT RECOMMENDED	SEE P/N 33471-0474
KEY B, LT. GRAY	33471-0422			B					GCP					P	M		1			4		
KEY A, BLACK	33471-0421	A							GCP					P	M		1			4	SALEABLE	
VOID KEY	33471-0420																					
KEY D W/ CPA, GREEN	33471-0419				D				GCP					P	M	CPA				4	NOT RECOMMENDED	SEE P/N 33471-0473
KEY C W/ CPA, BROWN	33471-0418				C				GCP					P	M	CPA				4	NOT RECOMMENDED	SEE P/N 33471-0472
KEY B W/ CPA, LT. GRAY	33471-0417			B					GCP					P	M	CPA				4		
KEY A W/ CPA, BLACK	33471-0416	A							GCP					P	M	CPA				4	SALEABLE	
VOID KEY	33471-0415																					
KEY D, GREEN	33471-0414				D				GCP					P	M					4	NOT RECOMMENDED	SEE P/N 33471-0471
KEY C, BROWN	33471-0413				C				GCP					P	M					4	NOT RECOMMENDED	SEE P/N 33471-0470
KEY B, LT. GRAY	33471-0412			B					GCP					P	M					4		
KEY A, BLACK	33471-0411	A							GCP					P	M					4	SALEABLE	
KEY C W/ CPA, BLACK	33471-0410					C			GCO					P	M	CPA						
KEY D W/ CPA, GREEN	33471-0409				D				GCO					P	M	CPA					NOT RECOMMENDED	SEE P/N 33471-0465
KEY C W/ CPA, BROWN	33471-0408				C				GCO					P	M	CPA					NOT RECOMMENDED	SEE P/N 33471-0464
KEY B W/ CPA, LT. GRAY	33471-0407			B					GCO					P	M	CPA						
KEY A W/ CPA, BLACK	33471-0406	A							GCO					P	M	CPA					SALEABLE	
VOID KEY	33471-0405																					
KEY D, GREEN	33471-0404				D				GCO					P	M						NOT RECOMMENDED	SEE P/N 33471-0463
KEY C, BROWN	33471-0403				C				GCO					P	M						NOT RECOMMENDED	SEE P/N 33471-0462
KEY B, LT. GRAY	33471-0402			B					GCO					P	M							
KEY A, BLACK	33471-0401	A							GCO					P	M						SALEABLE	

DESCRIPTION	COLOR	MATERIAL
RING SEAL	BURNT ORANGE	INHERENTLY LUBRICATED SILICONE
CPA	BRIGHT RED	PBT GF30
MAT SEAL	LIGHT BLUE	INHERENTLY LUBRICATED SILICONE
SHORTING BAR PLR	NATURAL	SPS/NYLON GF20
STANDARD PLR	NATURAL	SPS/NYLON GF20
ERGONOMIC GROMMET CAP, PLUGGED	BLACK	SPS/NYLON GF20
ERGONOMIC GROMMET CAP, OPEN	BLACK	SPS/NYLON GF20
STANDARD GROMMET CAP, PLUGGED	BLACK	SPS/NYLON GF20
STANDARD GROMMET CAP, OPEN	BLACK	SPS/NYLON GF20
HOUSING KEYING OPTION D	STONE GRAY	SPS/NYLON GF20
HOUSING KEYING OPTION C	DARK GRAY	SPS/NYLON GF20
HOUSING KEYING OPTION C	BLACK	SPS/NYLON GF20
HOUSING KEYING OPTION D	GREEN	SPS/NYLON GF20
HOUSING KEYING OPTION C	BROWN	SPS/NYLON GF20
HOUSING KEYING OPTION B	LIGHT GRAY	SPS/NYLON GF20
HOUSING KEYING OPTION A	BLACK	SPS/NYLON GF20

BOM/APPLICABLE COMPONENTS TABLE

ABREVIATION	COMPONENT
A	HOUSING KEY A
B	HOUSING KEY B
C	HOUSING KEY C
D	HOUSING KEY D
GCO	GROMMET CAP, STANDARD, OPEN
GCP	GROMMET CAP, STANDARD, PLUGGED
GCEO	GROMMET CAP, ERGONOMIC, OPEN
GCEP	GROMMET CAP, ERGONOMIC, PLUGGED
M	MAT SEAL
P	PLR, STANDARD
PS	PLR, SHRT. BAR LIFTER
R	RING SEAL
CPA	CPA

<b>FUNCTIONAL SYMBOLS</b> FA = 0 FC = 0 FP = 0 <b>DIVISIONAL SYMBOLS</b>	THIS DRAWING CONTAINS INFORMATION THAT IS PROPRIETARY TO MOLEX ELECTRONIC TECHNOLOGIES, LLC AND SHOULD NOT BE USED WITHOUT WRITTEN PERMISSION		CURRENT REV DESC: ADDED NEW PART NUMBER	
	DIMENSION UNITS <b>MM</b>	SCALE <b>1:1</b>	GENERAL TOLERANCES (UNLESS SPECIFIED) ANGULAR TOL ± 3°	
	4 PLACES ±	3 PLACES ±	2 PLACES ± 0.100	1 PLACE ± 0.30
	0 PLACES ±	STATUS: Production DRWN: Shekar S B CHK'D: Tom Smith APPR: Andy Proffitt		
DRAFT WHERE APPLICABLE MUST REMAIN WITHIN DIMENSIONS		THIRD ANGLE PROJECTION 	DRAWING <b>D-SIZE</b>	SERIES <b>33471</b>
MOLEX MX150 1X4 RECEPTACLE SEALED ASSEMBLY MAT SEAL		PRODUCT CUSTOMER DRAWING		DOCUMENT NUMBER <b>SD-33471-041</b>
PSD		DOC PART <b>002</b>	REVISION <b>W13</b>	SHEET NUMBER <b>5 OF 8</b>

ASSEMBLY DESCRIPTION	ASSEMBLY PART NUMBER	A	B	C	D	C	C	D	GCO	GCP	GCEO	GCEP	P	PS	M	CPA	1	2	3	4	STATUS	COMMENTS			
KEY C W/ SHRT. BAR, DARK GRAY	33471-0480								C	GCO					PS	M						SALEABLE			
KEY D W/O MAT SEAL, STONE GRAY	33471-0479								D	GCO					P							SALEABLE			
KEY C W/O MAT SEAL, DARK GRAY	33471-0478								C	GCO					P							SALEABLE			
KEY D W/ CPA, STONE GRAY	33471-0477								D	GCP					P	M	CPA	1			4	SALEABLE			
KEY C W/ CPA, DARK GRAY	33471-0476								C	GCP					P	M	CPA	1			4	SALEABLE			
KEY D, STONE GRAY	33471-0475								D	GCP					P	M		1			4	SALEABLE			
KEY C, DARK GRAY	33471-0474								C	GCP					P	M		1			4	SALEABLE			
KEY D W/ CPA, STONE GRAY	33471-0473								D	GCP					P	M	CPA				4	SALEABLE			
KEY C W/ CPA, DARK GRAY	33471-0472								C	GCP					P	M	CPA				4	SALEABLE			
KEY D, STONE GRAY	33471-0471								D	GCP					P	M					4	SALEABLE			
KEY C, DARK GRAY	33471-0470								C	GCP					P	M					4	SALEABLE			
KEY A, BLACK	33471-0469	A								GCP					P	M					2	4	SALEABLE		
KEY B, W/ CPA, LIGHT GRAY	33471-0468		B							GCP					P	M	CPA				2				
KEY A, BLACK	33471-0467	A								GCP					P	M					3	4		SALEABLE	
KEY B, LIGHT GRAY	33471-0466		B							GCP					P	M		1	2						
KEY D W/ CPA, STONE GRAY	33471-0465								D	GCO					P	M	CPA							SALEABLE	
KEY C W/ CPA, DARK GRAY	33471-0464								C	GCO					P	M	CPA							SALEABLE	
KEY D, STONE GRAY	33471-0463								D	GCO					P	M								SALEABLE	
KEY C, DARK GRAY	33471-0462								C	GCO					P	M								SALEABLE	
KEY A W/ CPA & ERGO. CAP, BLACK	33471-0461	A								GCEO					P	M	CPA							SALEABLE	
VOID KEY	33471-0460																								
KEY A, BLACK	33471-0459	A								GCP					P	M					3			SALEABLE	
KEY A W/ SHRT. BAR, BLACK	33471-0458	A								GCP					PS	M		1			4			SALEABLE	
KEY D W/ SHRT. BAR, GREEN	33471-0457								D	GCP					PS	M					4			NOT RECOMMENDED	SEE P/N 33471-0488
VOID KEY	33471-0456																								
KEY D W/ SHRT. BAR, GREEN	33471-0455								D	GCP					PS	M		1	2	3	4			NOT RECOMMENDED	SEE P/N 33471-0487
KEY C W/ SHRT. BAR, BROWN	33471-0454								C	GCP					PS	M		1	2	3	4			NOT RECOMMENDED	SEE P/N 33471-0486
KEY B W/ SHRT. BAR, LT. GRAY	33471-0453		B							GCP					PS	M		1	2	3	4				
KEY A W/ SHRT. BAR, BLACK	33471-0452	A								GCP					PS	M		1	2	3	4				SALEABLE
KEY A W/ SHRT. BAR, BLACK	33471-0451	A								GCP					PS	M					3	4			SALEABLE
VOID KEY	33471-0450																								
KEY D W/ CPA & SHRT. BAR, GREEN	33471-0449								D	GCO					PS	M	CPA							NOT RECOMMENDED	SEE P/N 33471-0485
KEY C W/ CPA & SHRT. BAR, BROWN	33471-0448								C	GCO					PS	M	CPA							NOT RECOMMENDED	SEE P/N 33471-0484
KEY B W/ CPA & SHRT. BAR, LT. GRAY	33471-0447		B							GCO					PS	M	CPA								
KEY A W/ CPA & SHRT. BAR, BLACK	33471-0446	A								GCO					PS	M	CPA								SALEABLE
VOID KEY	33471-0445																								
KEY D, GREEN	33471-0444								D	GCP					P	M		1	2	3	4			NOT RECOMMENDED	SEE P/N 33471-0483
KEY C, BROWN	33471-0443								C	GCP					P	M		1	2	3	4			NOT RECOMMENDED	SEE P/N 33471-0482
KEY B, LT. GRAY	33471-0442		B							GCP					P	M		1	2	3	4				
KEY A, BLACK	33471-0441	A								GCP					P	M		1	2	3	4				SALEABLE

DESCRIPTION	COLOR	MATERIAL
RING SEAL	BURNT ORANGE	INHERENTLY LUBRICATED SILICONE
CPA	BRIGHT RED	PBT GF30
MAT SEAL	LIGHT BLUE	INHERENTLY LUBRICATED SILICONE
SHORTING BAR PLR	NATURAL	SPS/NYLON GF20
STANDARD PLR	NATURAL	SPS/NYLON GF20
ERGONOMIC GROMMET CAP, PLUGGED	BLACK	SPS/NYLON GF20
ERGONOMIC GROMMET CAP, OPEN	BLACK	SPS/NYLON GF20
STANDARD GROMMET CAP, PLUGGED	BLACK	SPS/NYLON GF20
STANDARD GROMMET CAP, OPEN	BLACK	SPS/NYLON GF20
HOUSING KEYING OPTION D	STONE GRAY	SPS/NYLON GF20
HOUSING KEYING OPTION C	DARK GRAY	SPS/NYLON GF20
HOUSING KEYING OPTION C	BLACK	SPS/NYLON GF20
HOUSING KEYING OPTION D	GREEN	SPS/NYLON GF20
HOUSING KEYING OPTION C	BROWN	SPS/NYLON GF20
HOUSING KEYING OPTION B	LIGHT GRAY	SPS/NYLON GF20
HOUSING KEYING OPTION A	BLACK	SPS/NYLON GF20

BOM/APPLICABLE COMPONENTS TABLE

ABREVIATION	COMPONENT
A	HOUSING KEY A
B	HOUSING KEY B
C	HOUSING KEY C
D	HOUSING KEY D
GCO	GROMMET CAP, STANDARD, OPEN
GCP	GROMMET CAP, STANDARD, PLUGGED
GCEO	GROMMET CAP, ERGONOMIC, OPEN
GCEP	GROMMET CAP, ERGONOMIC, PLUGGED
M	MAT SEAL
P	PLR, STANDARD
PS	PLR, SHRT. BAR LIFTER
R	RING SEAL
CPA	CPA

FUNCTIONAL SYMBOLS	THIS DRAWING CONTAINS INFORMATION THAT IS PROPRIETARY TO MOLEX ELECTRONIC TECHNOLOGIES, LLC AND SHOULD NOT BE USED WITHOUT WRITTEN PERMISSION	SCALE	CURRENT REV DESC: ADDED NEW PART NUMBER
$F_A = 0$	DIMENSION UNITS	MM	1:1
$F_C = 0$	GENERAL TOLERANCES (UNLESS SPECIFIED)		
$F_P = 0$	ANGULAR TOL	± 3'	
DIVISIONAL SYMBOLS	4 PLACES	±	
	3 PLACES	±	
	2 PLACES	± 0.100	
	1 PLACE	± 0.30	
	0 PLACES	±	
DRAFT WHERE APPLICABLE MUST REMAIN WITHIN DIMENSIONS	THIRD ANGLE PROJECTION	DRAWING	SERIES
		D-SIZE	33471
		MATERIAL NUMBER	CUSTOMER
		SD-33471-041	GENERAL MARKET
		DOCUMENT NUMBER	DOC TYPE   DOC PART   REVISION
		PSD	002   W13
		STATUS: Production	2025-09-30
		DRWN: Shekar S B	2025-10-28
		CHK'D: Tom Smith	2025-10-28
		APPR: Andy Proffitt	
		SHEET NUMBER	6 OF 8



MX150 1X4 RECEPTACLE SEALED ASSEMBLY MAT SEAL

PRODUCT CUSTOMER DRAWING

ASSEMBLY DESCRIPTION	ASSEMBLY PART NUMBER	A	B	C	D	C	C	D	A	GCO	GCP	GCEO	GCEP	P	PS	M	CPA	1	2	3	4	STATUS	COMMENTS
KEY A W/ CPA, BLACK	33471-0499	A									GCP			P	M	CPA	1					SALEABLE	
KEY B W/CPA, LT.GRAY	33471-0498		B								GCP			P	M	CPA			3	4		SALEABLE	
KEY A W/ CPA, BLACK	33471-0497	A									GCP			P	M	CPA			3	4		SALEABLE	
KEY A W/ CPA, BLACK	33471-0496	A									GCP			P	M	CPA		2	3	4		SALEABLE	
KEY A , BLACK	33471-0495	A									GCP			P	M		1					SALEABLE	
KEY B, LT.GRAY	33471-0494		B								GCP			P	M			2	3			SALEABLE	
KEY A W/ CPA, BLACK	33471-0493	A									GCP			P	M	CPA	2					SALEABLE	
KEY A W/ CPA & SHRT. BAR, YELLOW	33471-0492								A	GCO				PS	M	CPA						SALEABLE	
KEY A W/ CPA, YELLOW	33471-0491								A	GCO				P	M	CPA						SALEABLE	
KEY A W/ CPA, BLACK	33471-0490	A									GCP			P	M	CPA			3			SALEABLE	
KEY A , BLACK	33471-0489	A									GCP			P	M			2				SALEABLE	
KEY D W/ SHRT. BAR, STONE GRAY	33471-0488							D			GCP			PS	M					4		SALEABLE	
KEY D W/ SHRT. BAR, STONE GRAY	33471-0487							D			GCP			PS	M		1	2	3	4		SALEABLE	
KEY C W/ SHRT. BAR, DARK GRAY	33471-0486						C				GCP			PS	M		1	2	3	4		SALEABLE	
KEY D W/ CPA & SHRT. BAR, STONE GRAY	33471-0485							D		GCO				PS	M	CPA						SALEABLE	
KEY C W/ CPA & SHRT. BAR, DARK GRAY	33471-0484						C			GCO				PS	M	CPA						SALEABLE	
KEY D, STONE GRAY	33471-0483							D			GCP			P	M		1	2	3	4		SALEABLE	
KEY C, DARK GRAY	33471-0482						C				GCP			P	M		1	2	3	4		SALEABLE	
KEY D W/ SHRT. BAR, STONE GRAY	33471-0481							D		GCO				PS	M							SALEABLE	

DESCRIPTION	COLOR	MATERIAL
RING SEAL	BURNT ORANGE	INHERENTLY LUBRICATED SILICONE
CPA	BRIGHT RED	PBT GF30
MAT SEAL	LIGHT BLUE	INHERENTLY LUBRICATED SILICONE
SHORTING BAR PLR	NATURAL	SPS/NYLON GF20
STANDARD PLR	NATURAL	SPS/NYLON GF20
ERGONOMIC GROMMET CAP, PLUGGED	BLACK	SPS/NYLON GF20
ERGONOMIC GROMMET CAP, OPEN	BLACK	SPS/NYLON GF20
STANDARD GROMMET CAP, PLUGGED	BLACK	SPS/NYLON GF20
STANDARD GROMMET CAP, OPEN	BLACK	SPS/NYLON GF20
HOUSING KEYING OPTION A	YELLOW	SPS/NYLON GF20
HOUSING KEYING OPTION D	STONE GRAY	SPS/NYLON GF20
HOUSING KEYING OPTION C	DARK GRAY	SPS/NYLON GF20
HOUSING KEYING OPTION C	BLACK	SPS/NYLON GF20
HOUSING KEYING OPTION D	GREEN	SPS/NYLON GF20
HOUSING KEYING OPTION C	BROWN	SPS/NYLON GF20
HOUSING KEYING OPTION B	LIGHT GRAY	SPS/NYLON GF20
HOUSING KEYING OPTION A	BLACK	SPS/NYLON GF20

ABREVIATION	COMPONENT
A	HOUSING KEY A
B	HOUSING KEY B
C	HOUSING KEY C
D	HOUSING KEY D
GCO	GROMMET CAP, STANDARD, OPEN
GCP	GROMMET CAP, STANDARD, PLUGGED
GCEO	GROMMET CAP, ERGONOMIC, OPEN
GCEP	GROMMET CAP, ERGONOMIC, PLUGGED
M	MAT SEAL
P	PLR, STANDARD
PS	PLR, SHRT. BAR LIFTER
R	RING SEAL
CPA	CPA

FUNCTIONAL SYMBOLS	THIS DRAWING CONTAINS INFORMATION THAT IS PROPRIETARY TO MOLEX ELECTRONIC TECHNOLOGIES, LLC AND SHOULD NOT BE USED WITHOUT WRITTEN PERMISSION
FA = 0	DIMENSION UNITS: MM SCALE: 1:1
FC = 0	GENERAL TOLERANCES (UNLESS SPECIFIED)
FP = 0	ANGULAR TOL ± 3°
DIVISIONAL SYMBOLS	4 PLACES ±
	3 PLACES ±
	2 PLACES ± 0.100
	1 PLACE ± 0.30
	0 PLACES ±
DRAFT WHERE APPLICABLE MUST REMAIN WITHIN DIMENSIONS	THIRD ANGLE PROJECTION
	STATUS: Production
	DRWN: Shekar S B
	CHK'D: Tom Smith
	APPR: Andy Proffitt
	2025-09-30
	2025-10-28
	2025-10-28
DRAWING	SERIES
D-SIZE	33471
MATERIAL NUMBER	CUSTOMER
SD-33471-041	GENERAL MARKET
DOCUMENT NUMBER	DOC TYPE
002	002
REVISION	REVISION
W13	W13
SHEET NUMBER	SHEET NUMBER
7 OF 8	7 OF 8

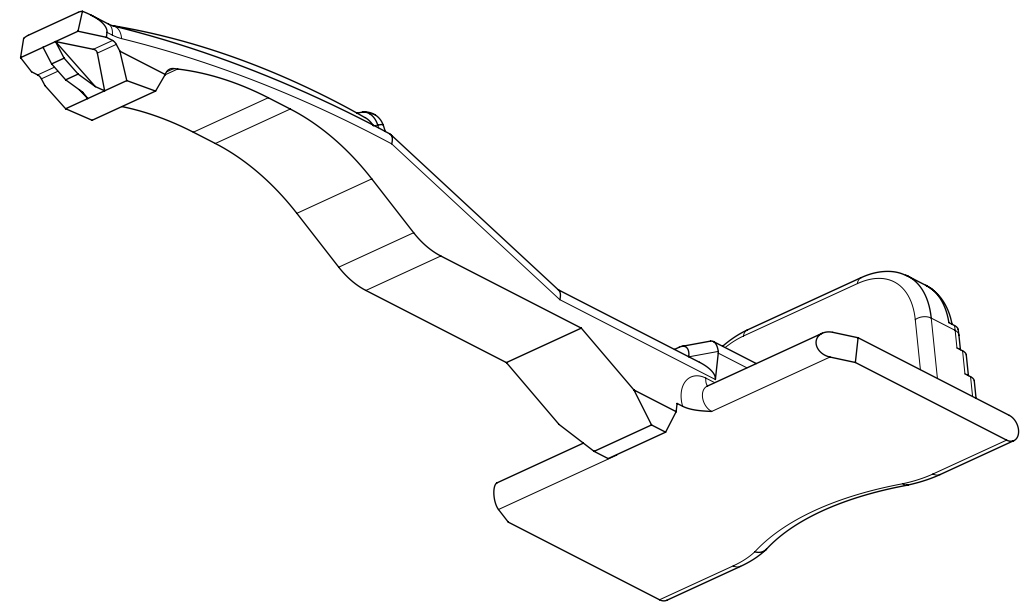


MX150 1X4 RECEPTACLE SEALED ASSEMBLY MAT SEAL

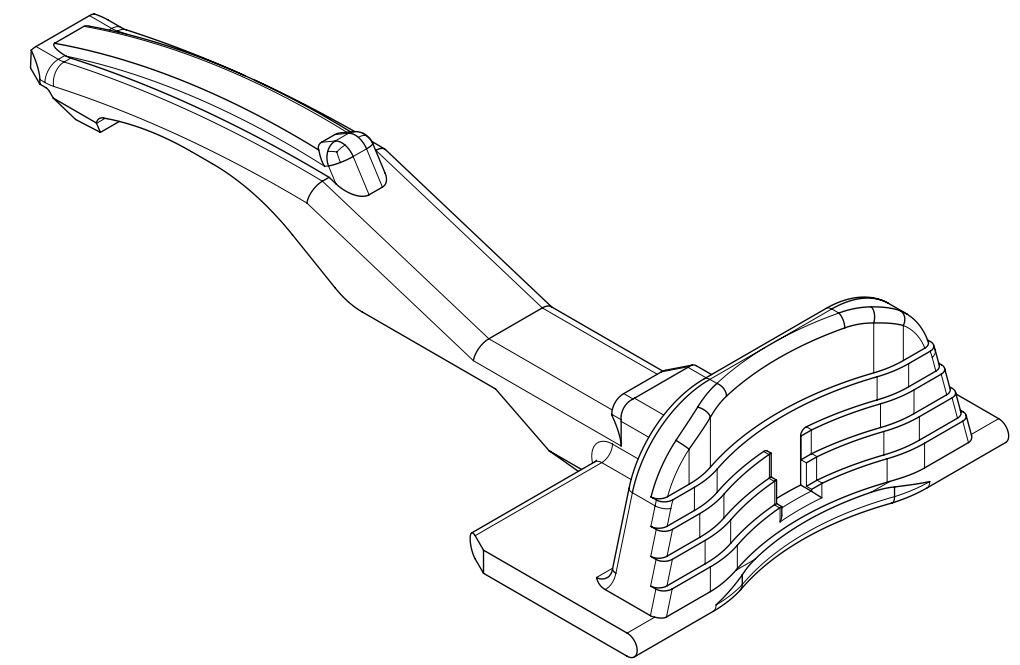
PRODUCT CUSTOMER DRAWING



TABLE OF CONTENTS	
SHEET NO.	SHEET DESCRIPTION
1	NOTES AND BOM
2	CPA DETAIL



SCALE 5:1



SCALE 5:1

CPA NOTES: VALID UNLESS OTHERWISE SPECIFIED

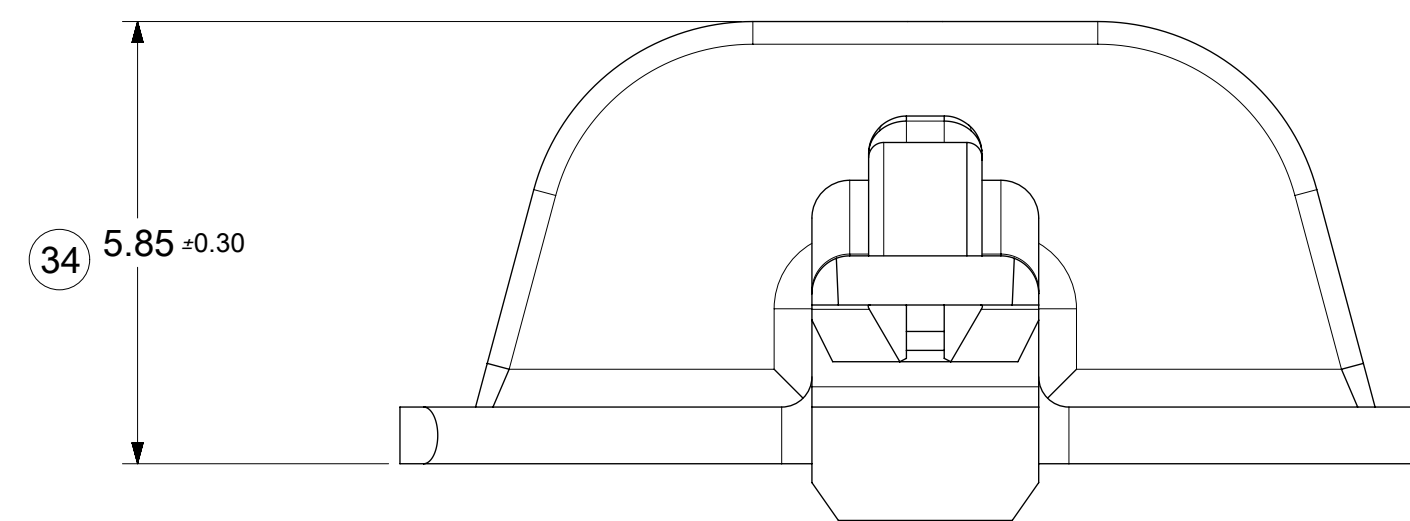
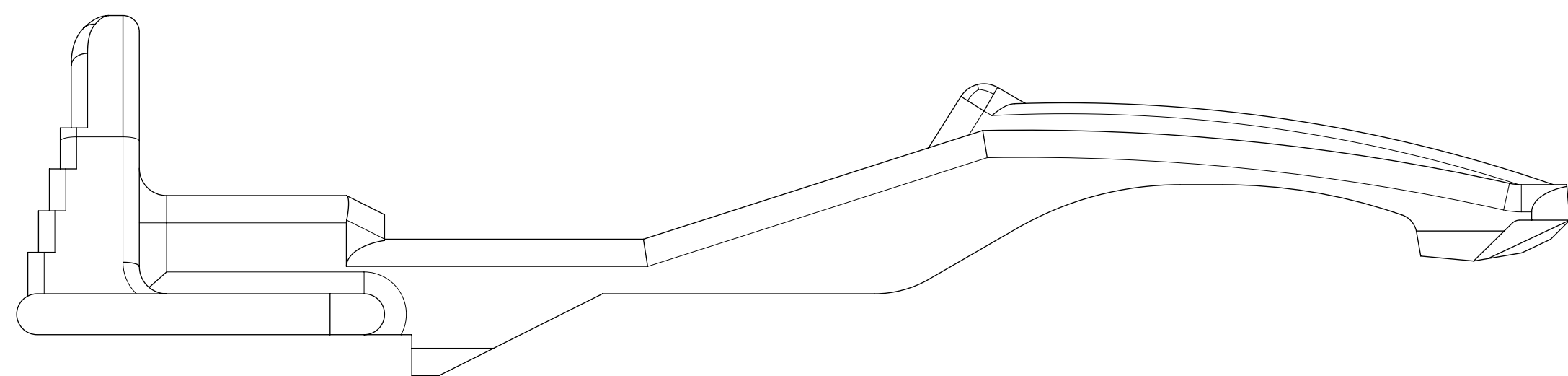
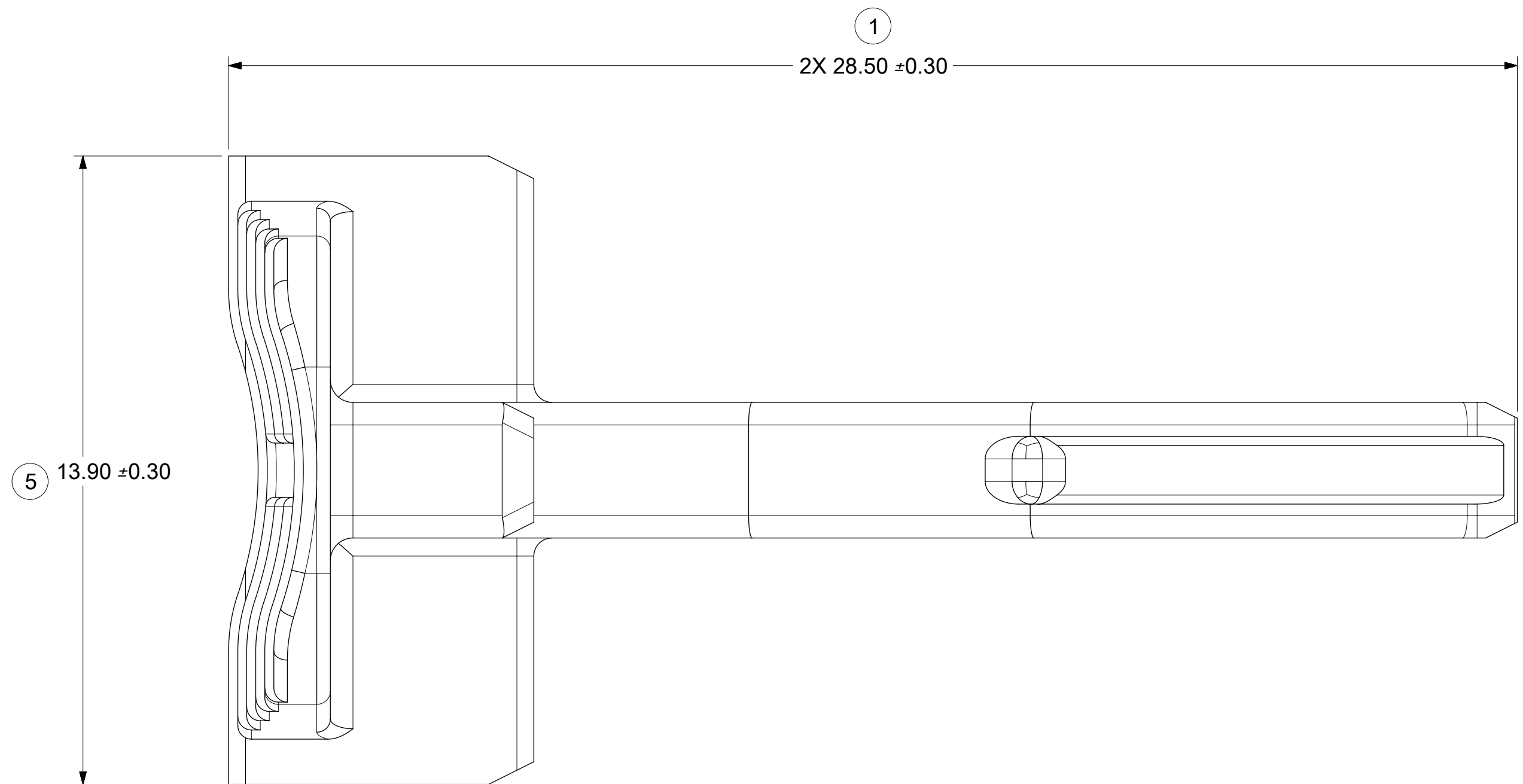
1. GENERAL:
  - a. APPLICATION SPECIFICATION SEE: AS-33611-001 AND AS-33472-100  
DESIGNED TO MATE WITH RECEPTACLE SEALED ASSEMBLY AS SPECIFIED IN THE BOM
  - b. PRODUCT SPECIFICATION SEE: PS-33472-000 AND PS-33471-000 AND PS-33476-000.
  - c. PACKAGING SPECIFICATION SEE: PK-30907-812.
  - d. PARTS MUST BE IN COMPLIANCE TO MOLEX CHEMICAL SUBSTANCES FOR PRODUCTS AND PACKAGING SPECIFICATION: QEHS-699000-300
  - e. DATA MUST BE SUBMITTED UNDER THE MOLEX PART NUMBER TO IMDS (COMPANY ID#13255)
2. DESIGN - MATERIALS:
  - a. PBT GF30
  - b. RED
3. DESIGN GEOMETRY:
  - a. THIS IS A 100% CAD GENERATED PART. THE CAD MATHEMATICAL DATA IS THE MASTER FOR THIS PART. FOR DIMENSIONAL OR ANY INFORMATION NOT SHOWN ON THIS DRAWING, ANALYZE THE CAD MODEL.
  - b. GEOMETRIC DIMENSIONS AND TOLERANCES PER ASME Y14.5M - 1994
  - c. EDGES AND UNDIMENSIONED DETAILS PER ISO13715
  - d. CORNERS SHOWN AS SHARP TO BE R 0.2 MAX.
  - e. VISUAL DEFECTS SHALL MEET COSMETIC STANDARDS PS-45499-002 (CLASS B).

MOLEX PART NUMBER	STATUS	MATING ASSEMBLY DESCRIPTION	MATING ASSEMBLY DRAWING
33611-0001	SALEABLE	MX150 1X2 WAY RECEPTACLE MAT SEAL	SD-33471-021
		MX150 1X3 WAY RECEPTACLE MAT SEAL	SD-33471-031
		MX150 1X4 WAY RECEPTACLE MAT SEAL	SD-33471-041
		MX150 1X5 WAY RECEPTACLE MAT SEAL	SD-33471-051
		MX150 1X6 WAY RECEPTACLE MAT SEAL	SD-33471-061
		MX150 2X2 WAY RECEPTACLE MAT SEAL	SD-33472-041
		MX150 2X3 WAY RECEPTACLE MAT SEAL	SD-33472-061
		MX150 2X3 WAY RECEPTACLE MAT SEAL W/CLIPSLOT	SD-33472-071
		MX150 2X4 WAY RECEPTACLE MAT SEAL	SD-33472-081
		MX150 2X4 WAY RECEPTACLE MAT SEAL W/CLIPSLOT	SD-33472-091
		MX150 2X6 WAY RECEPTACLE MAT SEAL	SD-33472-121
		MX150 2X6 WAY RECEPTACLE MAT SEAL W/CLIPSLOT	SD-33472-131
		MX150 2X8 WAY RECEPTACLE MAT SEAL	SD-33472-161
		MX150 2X10 WAY RECEPTACLE MAT SEAL	SD-33472-201
		MX150 HYBRID 16 WAY	SD-33476-161
MX150 HYBRID 16 WAY W/CLIP SLOT	SD-33476-181		

A3	DOCUMENT TYPE CHANGED FROM SD-33611-001 PDD TO SD-33611-001 PSD
A2	NX RE-MASTERING
A	INITIAL RELEASE
REV	DESCRIPTION

SYMBOLS	DIMENSION UNITS	SCALE	CURRENT REV DESC:	molex			
	mm	10:1	EC NO: 620500 DRWN: MSELANGOVAN 2019/07/02 CHK'D: KBORUSZEWSKI 2019/07/11 APPR: MVANSLAMBROU 2019/07/13 INITIAL REVISION: DRWN: RELEASE 2019/06/26 APPR: MVANSLAMBROU 2019/07/13	<b>1.5MM STANDARD CONNECTOR CONNECTOR POS. ASSURANCE</b>			
	GENERAL TOLERANCES (UNLESS SPECIFIED)						
	ANGULAR TOL ± 3.0°			DOCUMENT NUMBER: <b>SD-33611-001</b> DOC TYPE: PSD    DOC PART: 001    REVISION: A3			
	4 PLACES ±			MATERIAL NUMBER: SEE BOM    CUSTOMER: GENERAL MARKET    SHEET NUMBER: 1 OF 2			
	3 PLACES ±						
	2 PLACES ± 0.1						
	1 PLACE ± 0.3						
	0 PLACES ±						
	DRAFT WHERE APPLICABLE MUST REMAIN WITHIN DIMENSIONS						
	THIRD ANGLE PROJECTION			D-SIZE    33611			

CPA DETAIL



SYMBOLS	THIS DRAWING CONTAINS INFORMATION THAT IS PROPRIETARY TO MOLEX ELECTRONIC TECHNOLOGIES, LLC AND SHOULD NOT BE USED WITHOUT WRITTEN PERMISSION		
	DIMENSION UNITS	SCALE	CURRENT REV DESC:
▽ = 0	mm	10:1	EC NO: 620500 DRWN: MSELANGOVAN 2019/07/02 CHK'D: KBORUSZEWSKI 2019/07/11 APPR: MVANSLAMBROU 2019/07/13 INITIAL REVISION: DRWN: RELEASE 2019/06/26 APPR: MVANSLAMBROU 2019/07/13
▽ = 0	GENERAL TOLERANCES (UNLESS SPECIFIED)		
▽ = 0	ANGULAR TOL ± 3.0°		
▽ = 0	4 PLACES	±	
▽ = 0	3 PLACES	±	
▽ = 0	2 PLACES	± 0.1	DRWN: RELEASE 2019/06/26 APPR: MVANSLAMBROU 2019/07/13
▽ = 0	1 PLACE	± 0.3	
▽ = 0	0 PLACES	±	DRAFT WHERE APPLICABLE MUST REMAIN WITHIN DIMENSIONS
▽ = 0	THIRD ANGLE PROJECTION	DRAWING	SERIES
▽ = 0			D-SIZE 33611
DOCUMENT NUMBER		DOC TYPE	DOC PART
SD-33611-001		PSD	001
REVISION		A3	
MATERIAL NUMBER		CUSTOMER	SHEET NUMBER
SEE BOM		GENERAL MARKET	2 OF 2