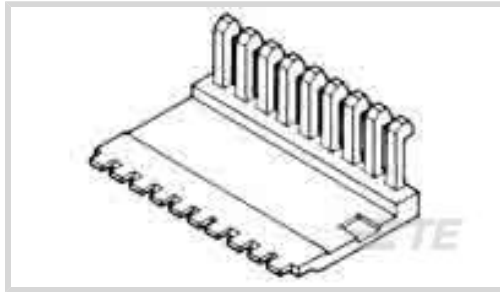




Connectors > Connector Accessories > Connector Caps & Covers



Connector Cover Type: **Strain Relief Cover**

Primary Product Color: **Black**

Primary Product Material: **Thermoplastic**

Number of Positions: **16**

Operating Temperature (Max): **105 °C [221 °F]**

Features

Product Type Features

Connector Cover Type	Strain Relief Cover
Product Profile	Low

Body Features

Primary Product Color	Black
Primary Product Material	Thermoplastic
Connector Cover Side	Back

Configuration Features

Number of Positions	16
---------------------	----

Usage Conditions

Operating Temperature (Max)	105 °C[221 °F]
Operating Temperature Range	-65 – 105 °C[-85 – 221 °F]

Other

EU RoHS Compliance	Compliant
EU ELV Compliance	Compliant

Mechanical Attachment

Strain Relief	With
---------------	------

Housing Features

Centerline (Pitch)	2.54 mm[.1 in]
--------------------	----------------

Industry Standards



UL Flammability Rating	UL 94V-0
------------------------	----------

Product Compliance

[For compliance documentation, visit the product page on TE.com>](#)

EU RoHS Directive 2011/65/EU	Compliant
EU ELV Directive 2000/53/EC	Compliant
China RoHS 2 Directive MIIT Order No 32, 2016	No Restricted Materials Above Threshold
EU REACH Regulation (EC) No. 1907/2006	Current ECHA Candidate List: JUNE 2024 (241) Candidate List Declared Against: JUNE 2024 (241) Does not contain REACH SVHC
Halogen Content	Not Low Halogen - contains Br or Cl > 900 ppm.
Solder Process Capability	Not applicable for solder process capability

Product Compliance Disclaimer

This information is provided based on reasonable inquiry of our suppliers and represents our current actual knowledge based on the information they provided. This information is subject to change. The part numbers that TE has identified as EU RoHS compliant have a maximum concentration of 0.1% by weight in homogenous materials for lead, hexavalent chromium, mercury, PBB, PBDE, DBP, BBP, DEHP, DIBP, and 0.01% for cadmium, or qualify for an exemption to these limits as defined in the Annexes of Directive 2011/65/EU (RoHS2). Finished electrical and electronic equipment products will be CE marked as required by Directive 2011/65/EU. Components may not be CE marked. Additionally, the part numbers that TE has identified as EU ELV compliant have a maximum concentration of 0.1% by weight in homogenous materials for lead, hexavalent chromium, and mercury, and 0.01% for cadmium, or qualify for an exemption to these limits as defined in the Annexes of Directive 2000/53/EC (ELV). Regarding the REACH Regulation, the information TE provides on SVHC in articles for this part number is based on the latest European Chemicals Agency (ECHA) 'Guidance on requirements for substances in articles' posted at this URL: <https://echa.europa.eu/guidance-documents/guidance-on-reach>

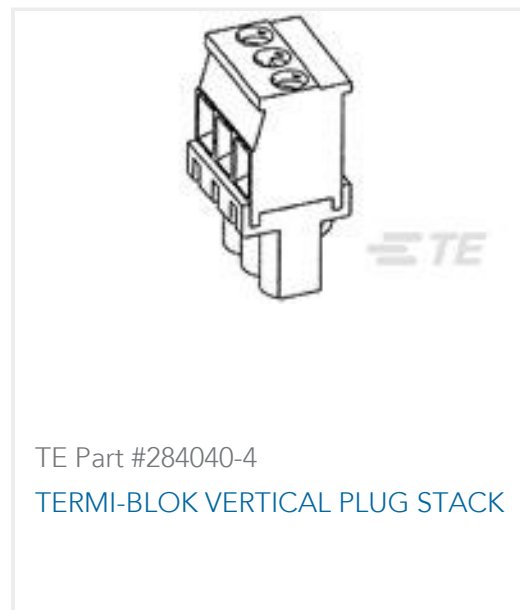
Compatible Parts



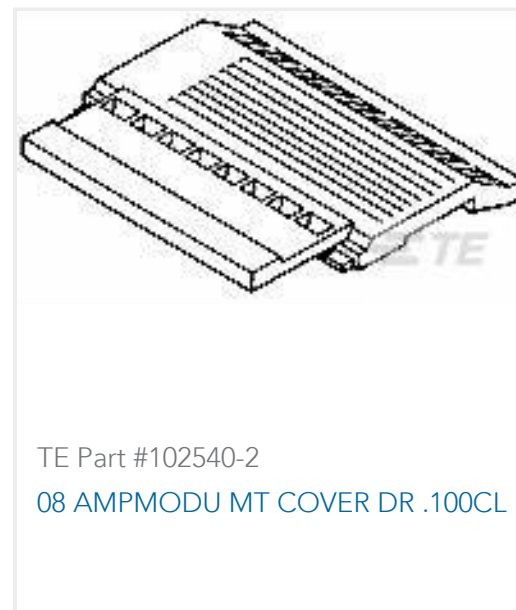
Customers Also Bought



TE Part #102536-3
10 AMPMODU MT COVER DR .100CL



TE Part #284040-4
TERMI-BLOK VERTICAL PLUG STACK



TE Part #102540-2
08 AMPMODU MT COVER DR .100CL



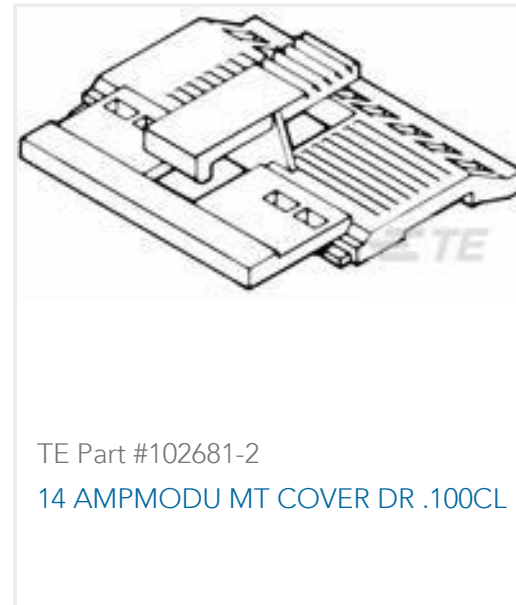
TE Part #6-103166-1
26 MODII HDR DRRA SHRD LF



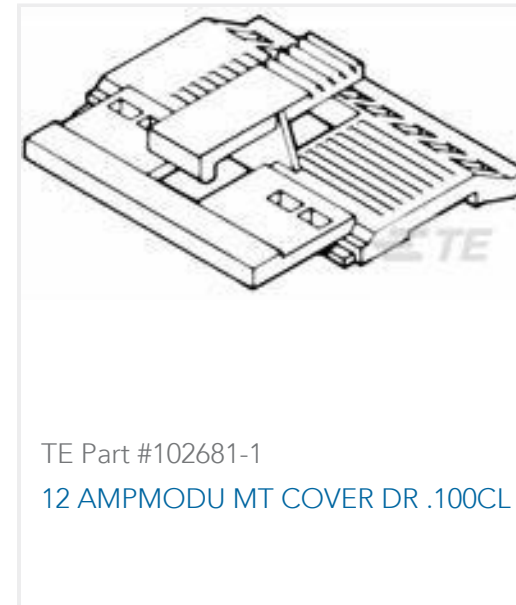
TE Part #52512-1
TERMINAL,BUDG SPD FLG 26-22 4



TE Part #4-745130-5
SHLDING FERRULE,PLTD,BULK PKG



TE Part #102681-2
14 AMPMODU MT COVER DR .100CL



TE Part #102681-1
12 AMPMODU MT COVER DR .100CL

Documents

Product Drawings

[16 AMPMODU MT COVER DR .100CL](#)

English

CAD Files

[3D PDF](#)

3D

Customer View Model

[ENG_CVM_CVM_102536-6_R.2d_dxf.zip](#)

English

Customer View Model

[ENG_CVM_CVM_102536-6_R.3d_igs.zip](#)

English

Customer View Model

[ENG_CVM_CVM_102536-6_R.3d_stp.zip](#)

English

By downloading the CAD file I accept and agree to the [Terms and Conditions](#) of use.

Datasheets & Catalog Pages

[AMPMODU_INTERCONNECTION_SYSTEM_SECTION5_CONT](#)

English

Product Specifications

[Application Specification](#)

English