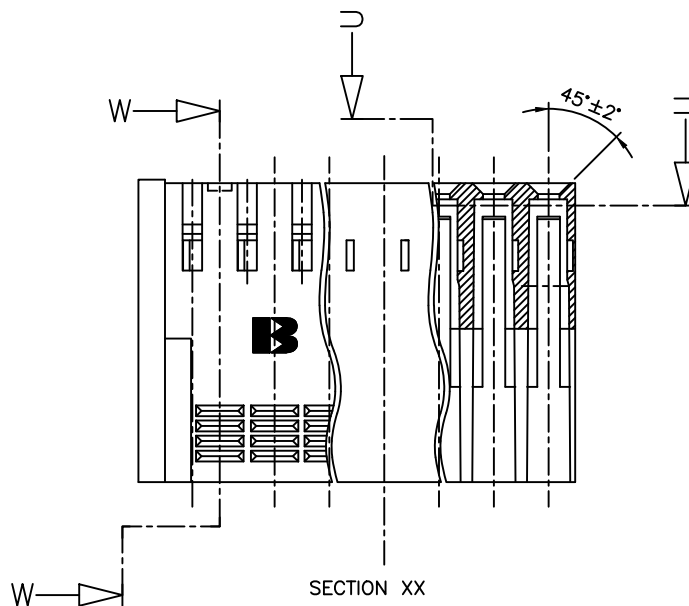
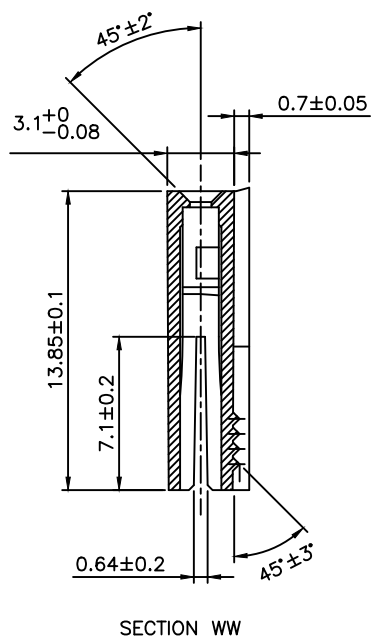
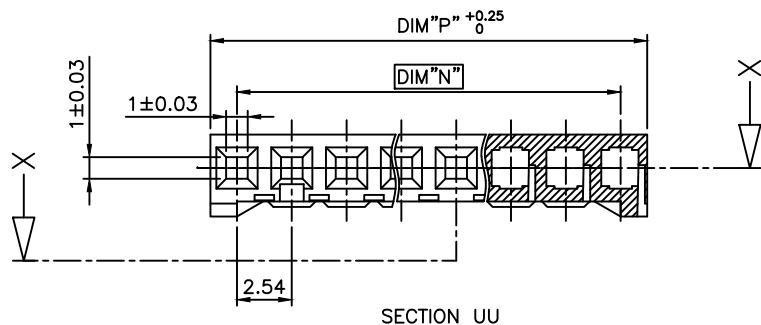


PRODUCT NUMBER
67013-0XXLF

SUFFIX LETTER "LF" INDICATES
THE PRODUCT IS RoHS COMPLIANT,
SEE NOTE 5

EXTENDED RANGE

- TOOLING FEASIBILITY CONFIRMED
- SAMPLES ON DEMAND
- AVAILABILITY ON DEMAND



NOTES:

- 1 - MOLDING MATERIAL: PBT 30% GLASS FILLED, COLOUR BLUE, FLAME RETARDANT, ACCORDING TO UL 94, CATEGORY V0.
- 2 - OVER DASH NUMBER -006 ONLY THE FIRST AND LAST THREE POSITIONS MUST HAVE GROOVES ON TWO SIDES
- 3 - THIS HOUSING IS INTENDED FOR USE WITH BERG TERMINAL # 76785-YXX AND BERG HEADERS # 76384-YXX OR 76382-YXX
- 4 - FOR BERG DUFLEX CLINCHER APPLICATION DATA SEE SPECIFICATION TA-333 SHEET 213-10F1
- 5 - RoHS COMPATIBLE PRODUCT SPECIFICATIONS
 - a - LABELING:
 - MEETS PACKAGING SPECS AS PER GS-14-920
 - b - LEGAL STATEMENT: SEE GS-22-008
- 6 - THIS PART SERIES IS NOT INITIALLY INTENDED FOR AUTOMOTIVE APPLICATIONS. ADDITIONAL FEES ARE CHARGEABLE FOR ANY ADDITIONAL QUALIFICATION AND TEST REPORTS PERFORMED OUTSIDE THE SCOPE OF THE STANDARD PRODUCT SPECIFICATIONS.
- 7 - UNLESS OTHERWISE APPROVED BY AMPHENOL, ALL PARTS AND COMPONENTS ARE DESIGNED & BUILT ACCORDING TO AMPHENOL'S SPECIFICATIONS WHICH ARE SUBJECT TO CHANGE WITHOUT NOTICE.

THE PRODUCT IS NOT INTENDED TO BE EXPOSED TO A MANUFACTURING SOLDER PROCESS.

mat'l. code		surface		tolerance		projection		product family	
SEE NOTE 1		ISO 1302		ISO 446 ISO 1101		DUFLEX VCC SR			
ltr	ecr no	dr	date	tolerances unless otherwise specified		mm		title	
K	F06-0226	DLE	06.07.07	x.x ±0.3		mm		DUFLEX	
L	F-58625	DDE	25.12.15	x.xx ±0.13		mm		HOUSING SINGLE ROW	
				x.xxx ±0.05		scale 5:1		dwg no	
F	F04-0347	DLE	04.12.10	dr	D.LEGRAND	98.07.13	sheet 1 of 2		size
G	F05-0169	DLE	05.04.07	engr	JM.PHAMVAN	98.07.13	Amphenol		A3
H	F05-0236	DLE	05.08.24	chr	P.NIZZI	98.07.13	FCI		67013
J	F05-0286	DLE	05.11.07	appd	JM.PHAMVAN	98.07.13	type		CUSTOMER Drawing
sheet	revision	K	J						
index	sheet	1	2						

NUMBER OF POS.	NUMBER OF POS.	DIM"N"	DIM"P"
67013- 002LF	1 x 02	2.54	5.00
67013- 003LF	1 x 03	5.08	7.54
67013- 004LF	1 x 04	7.62	10.08
67013- 005LF	1 x 05	10.16	12.62
67013- 006LF	1 x 06	12.70	15.16
67013- 007LF	1 x 07	15.24	17.70
67013- 008LF	1 x 08	17.78	20.24
67013- 009LF	1 x 09	20.32	22.78
67013- 010LF	1 x 10	22.86	25.32
67013- 011LF	1 x 11	25.40	27.86
67013- 012LF	1 x 12	27.94	30.40
67013- 013LF	1 x 13	30.48	32.94
67013- 014LF	1 x 14	33.02	35.48
67013- 015LF	1 x 15	35.56	38.02
67013- 016LF	1 x 16	38.10	40.56
67013- 017LF	1 x 17	40.64	43.10
67013- 018LF	1 x 18	43.18	45.63
67013- 019LF	1 x 19	45.72	48.18
67013- 020LF	1 x 20	48.26	50.72

NUMBER OF POS.	NUMBER OF POS.	DIM"N"	DIM"P"
67013- 021LF	1 x 21	50.80	53.26
67013- 022LF	1 x 22	53.34	55.80
67013- 023LF	1 x 23	55.88	58.34
67013- 024LF	1 x 24	58.42	60.88
67013- 025LF	1 x 25	60.96	63.42
67013- 026LF	1 x 26	63.50	65.96
67013- 027LF	1 x 27	66.04	68.50
67013- 028LF	1 x 28	68.58	71.04
67013- 029LF	1 x 29	71.12	73.58
67013- 030LF	1 x 29	73.66	76.12
67013- 031LF	1 x 31	76.20	78.66
67013- 032LF	1 x 32	78.74	81.20
67013- 033LF	1 x 33	81.28	83.74
67013- 034LF	1 x 34	83.82	86.28
67013- 035LF	1 x 35	86.36	88.02
67013- 036LF	1 x 36	88.90	91.36

mat'l. code		surface		tolerance		projection		product family	
		ISO 1302		ISO 466 ISO 1001		1st angle		DUFLEX VCC SR	
lfr ecn no dr date		tolerances unless otherwise specified				mm		title	
K F-58625 DDE 25.12.15				linear				DUFLEX	
		angles		x.x ±0.3				HOUSING SINGLE ROW	
E F00499 PNZ 00.09.13		x.x ±0.13		x.xxx ±0.05		scale 5:1		dwg no sheet 2 of 2 size	
F F04-0347 DLE 04.12.10		dr D.LEGRAND 98.07.13						67013 A3	
G F05-0169 DLE 05.04.07		engr JM.PHAMVAN 98.07.13						type CUSTOMER Drawing	
H F05-0236 DLE 05.08.24		chr P.NIZZI 98.07.13							
J F05-0286 DLE 05.11.07		appd JM.PHAMVAN 98.07.13							
sheet index		revision sheet							