

NOTES.

1. 梱包数量 : 570個/リール
 NUMBER OF CONNECTORS : 570PIECES/REEL

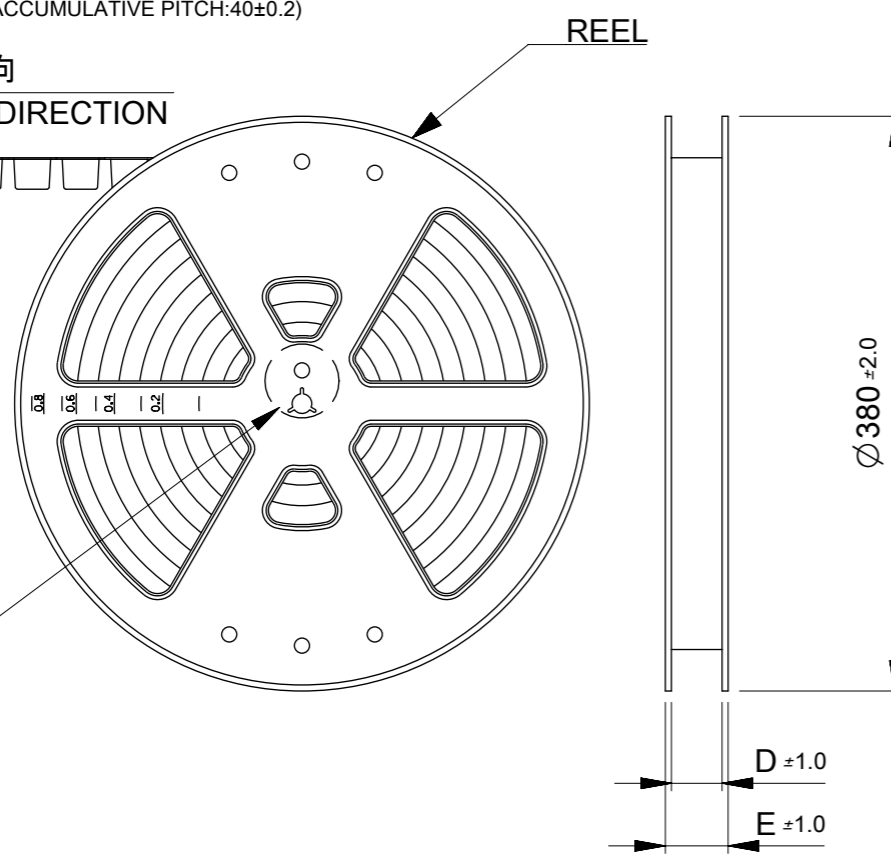
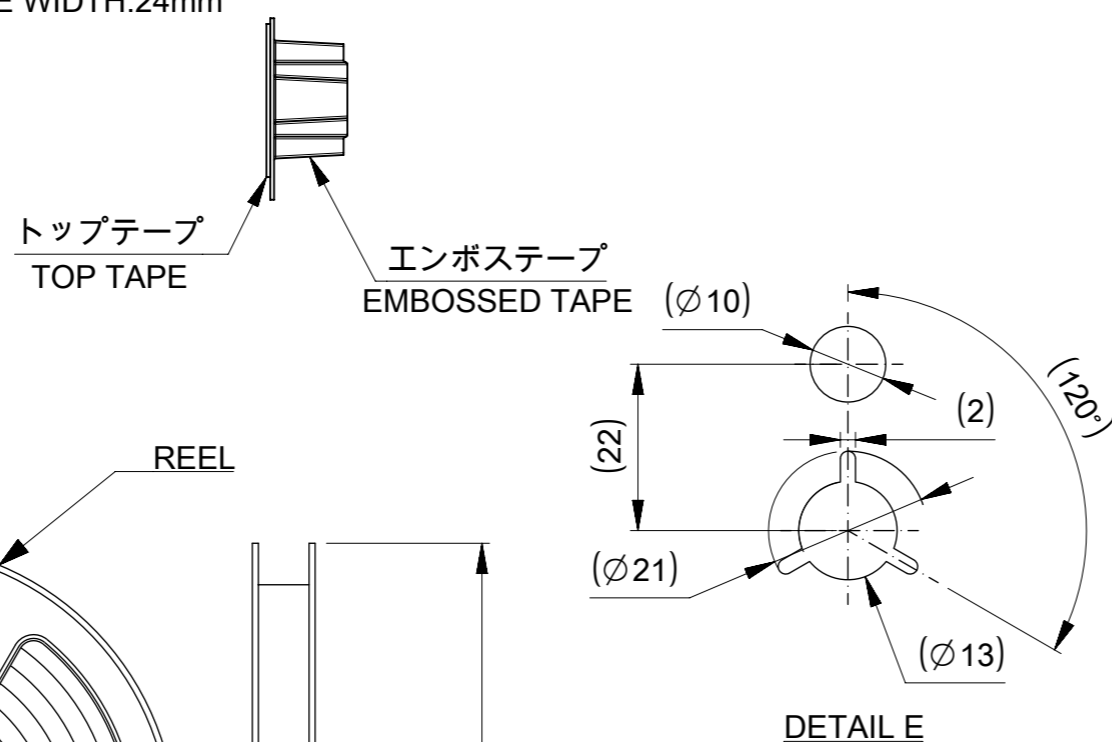
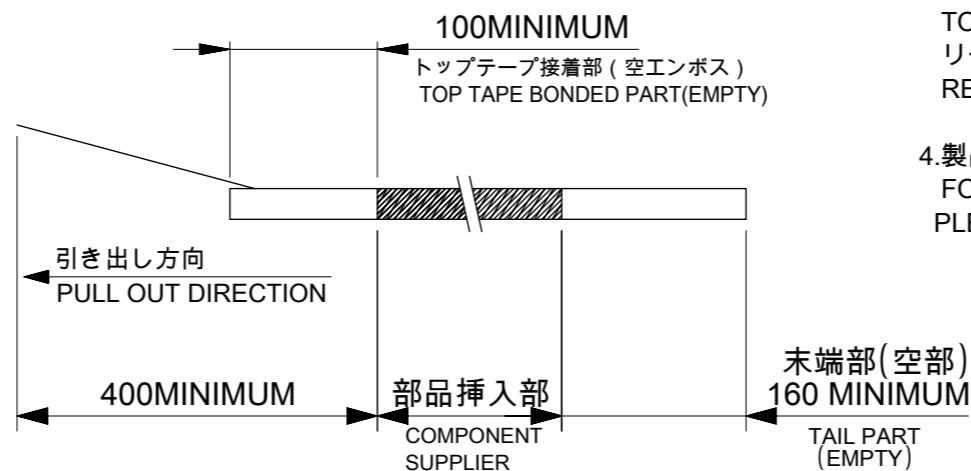
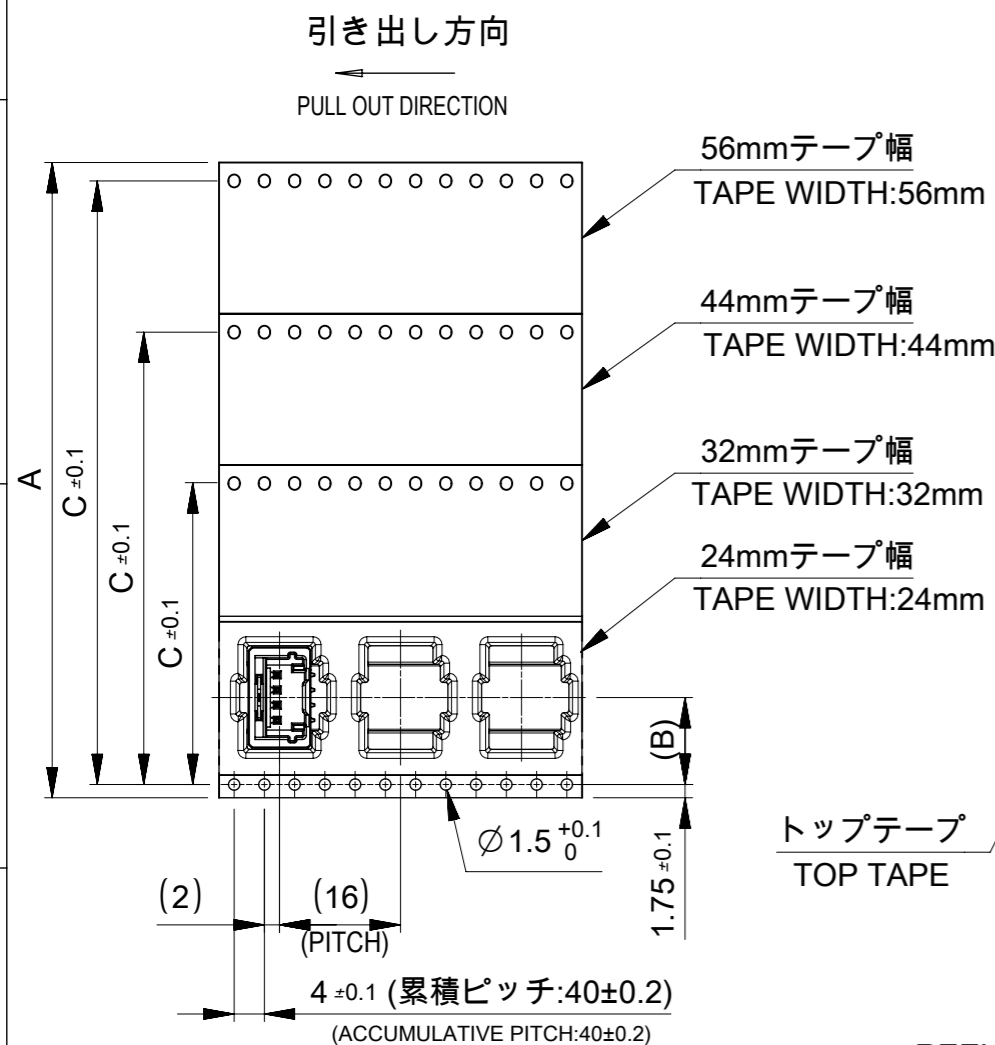
2. リードテープ長さ
 LEAD TAPE LENGTH

3. 材料

MATERIALS

エンボステープ : ポリスチレン(PS)
 EMBOSSSED TAPE : POLYSTYRENE(PS)
 トップテープ : ポリエステル(PET)、その他
 TOP TAPE : POLYESTER(PET)、OTHER
 リール : ポリスチレン(PS) リサイクル材を含む
 REEL : POLYSTYRENE(PS) RECYCLE MATERIAL CONTAINED

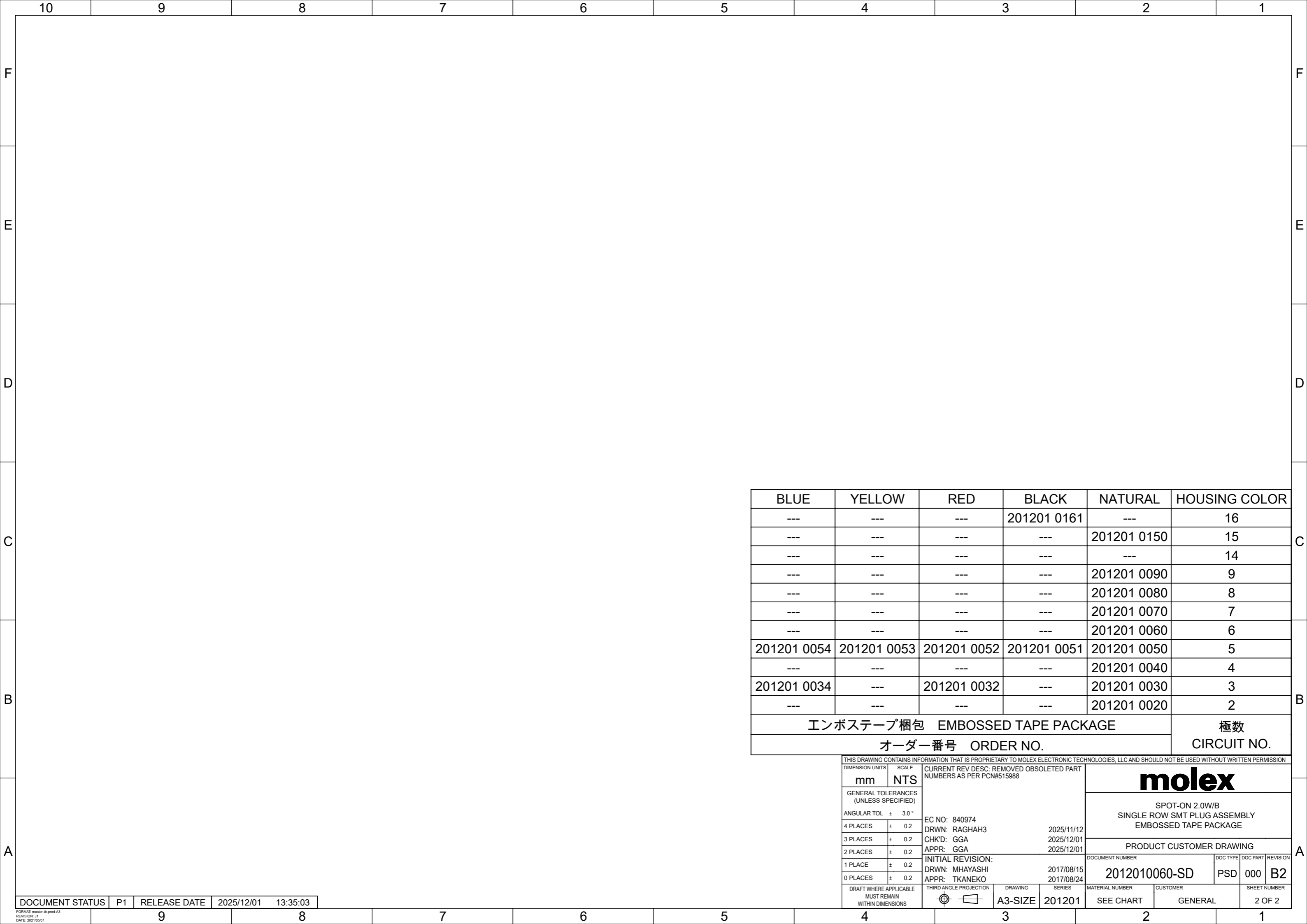
4. 製品詳細寸法については製品単体図面を参照して下さい。
 FOR THE DETAIL OF CONNECTOR DIMENSIONS,
 PLEASE REFER TO THE DRAWING OF CONNECTOR.




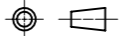
61.4	57.4	52.4	26.2	56±0.3	201201 016*	16
					201201 015*	15
					201201 014*	14
					201201 013*	13
					201201 012*	12
					201201 011*	11
49.4	45.4	40.4	20.2	44±0.3	201201 010*	10
					201201 009*	9
					201201 008*	8
37.4	33.4	28.4	14.2	32±0.3	201201 007*	7
					201201 006*	6
					201201 005*	5
					201201 004*	4
29.4	25.4	-	11.5	24 ^{+0.3} _{-0.1}	201201 003*	3
					201201 002*	2
E	D	C	B	A	オーダー番号 ORDER NO.	極数 CIRCUIT NO.

THIS DRAWING CONTAINS INFORMATION THAT IS PROPRIETARY TO MOLEX ELECTRONIC TECHNOLOGIES, LLC AND SHOULD NOT BE USED WITHOUT WRITTEN PERMISSION

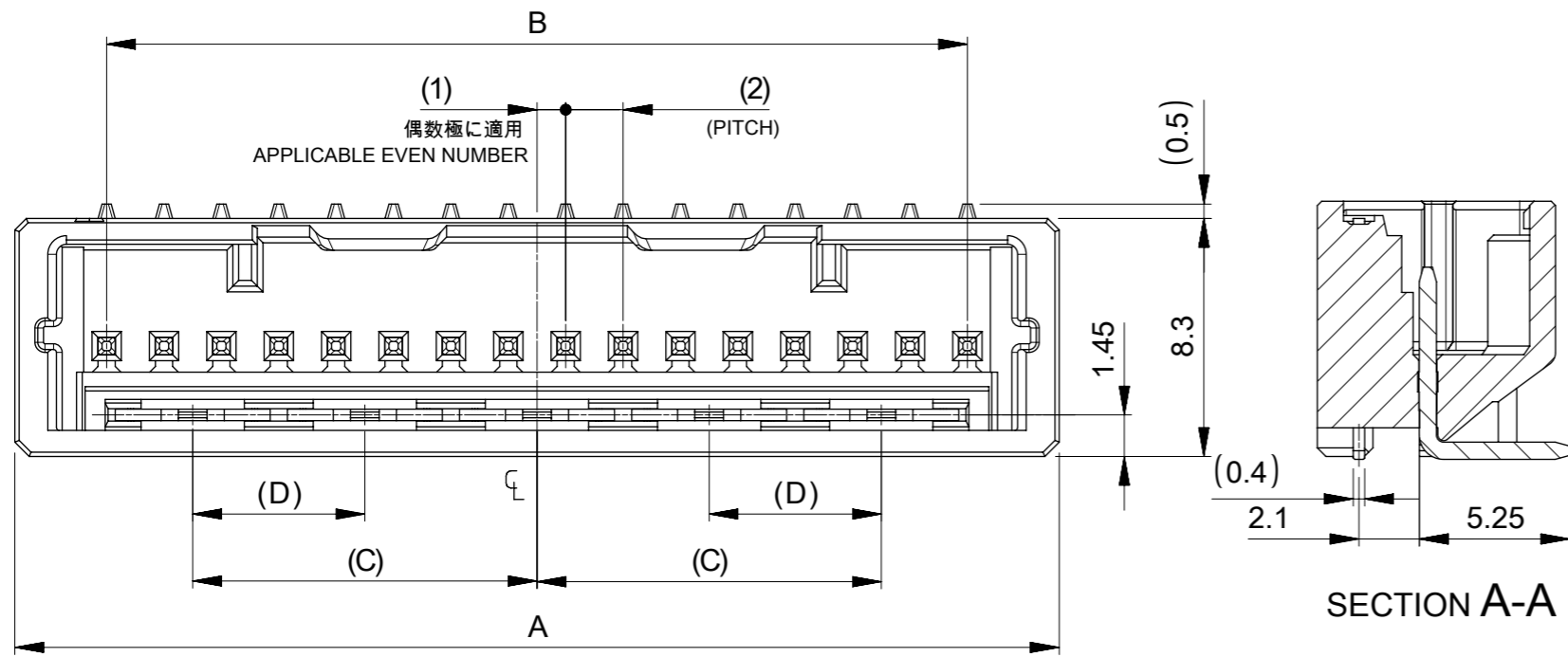
DIMENSION UNITS mm	SCALE NTS	CURRENT REV DESC: REMOVED OBSOLETE PART NUMBERS AS PER PCN#515988			
GENERAL TOLERANCES (UNLESS SPECIFIED)					
ANGULAR TOL	± 3.0°	EC NO: 840974	PRODUCT CUSTOMER DRAWING		
4 PLACES	± 0.2	DRWN: RAGHAH3	DOCUMENT NUMBER		
3 PLACES	± 0.2	CHK'D: GGA	DOC TYPE		
2 PLACES	± 0.2	APPR: GGA	DOC PART		
1 PLACE	± 0.2	INITIAL REVISION:	REVISION		
0 PLACES	± 0.2	DRWN: MHAYASHI	2012010060-SD		
DRAFT WHERE APPLICABLE MUST REMAIN WITHIN DIMENSIONS		APPR: TKANEKO	PSD 000 B2		
THIRD ANGLE PROJECTION		DRAWING	SHEET NUMBER		
DRAWING		SERIES	GENERAL		
A3-SIZE		MATERIAL NUMBER	1 OF 2		
201201		CUSTOMER			
SEE SHEET 2					



BLUE	YELLOW	RED	BLACK	NATURAL	HOUSING COLOR
---	---	---	201201 0161	---	16
---	---	---	---	201201 0150	15
---	---	---	---	---	14
---	---	---	---	201201 0090	9
---	---	---	---	201201 0080	8
---	---	---	---	201201 0070	7
---	---	---	---	201201 0060	6
201201 0054	201201 0053	201201 0052	201201 0051	201201 0050	5
---	---	---	---	201201 0040	4
201201 0034	---	201201 0032	---	201201 0030	3
---	---	---	---	201201 0020	2
エンボステープ梱包 EMBOSSED TAPE PACKAGE					極数
オーダー番号 ORDER NO.					CIRCUIT NO.

THIS DRAWING CONTAINS INFORMATION THAT IS PROPRIETARY TO MOLEX ELECTRONIC TECHNOLOGIES, LLC AND SHOULD NOT BE USED WITHOUT WRITTEN PERMISSION									
DIMENSION UNITS	SCALE	CURRENT REV DESC: REMOVED OBSOLETE PART NUMBERS AS PER PCN#515988							
mm	NTS	 SPOT-ON 2.0W/B SINGLE ROW SMT PLUG ASSEMBLY EMBOSSED TAPE PACKAGE							
GENERAL TOLERANCES (UNLESS SPECIFIED)									
ANGULAR TOL	± 3.0 °	PRODUCT CUSTOMER DRAWING							
4 PLACES	± 0.2	DOCUMENT NUMBER							
3 PLACES	± 0.2	2012010060-SD							
2 PLACES	± 0.2	DOC TYPE							
1 PLACE	± 0.2	PSD							
0 PLACES	± 0.2	DOC PART							
DRAFT WHERE APPLICABLE MUST REMAIN WITHIN DIMENSIONS		THIRD ANGLE PROJECTION		DRAWING	SERIES	MATERIAL NUMBER	CUSTOMER	REVISION	
				A3-SIZE	201201	SEE CHART	GENERAL	000	B2
								SHEET NUMBER	
								2 OF 2	

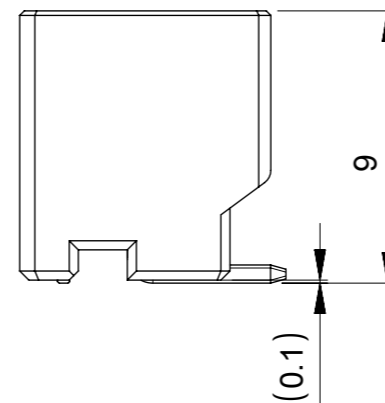
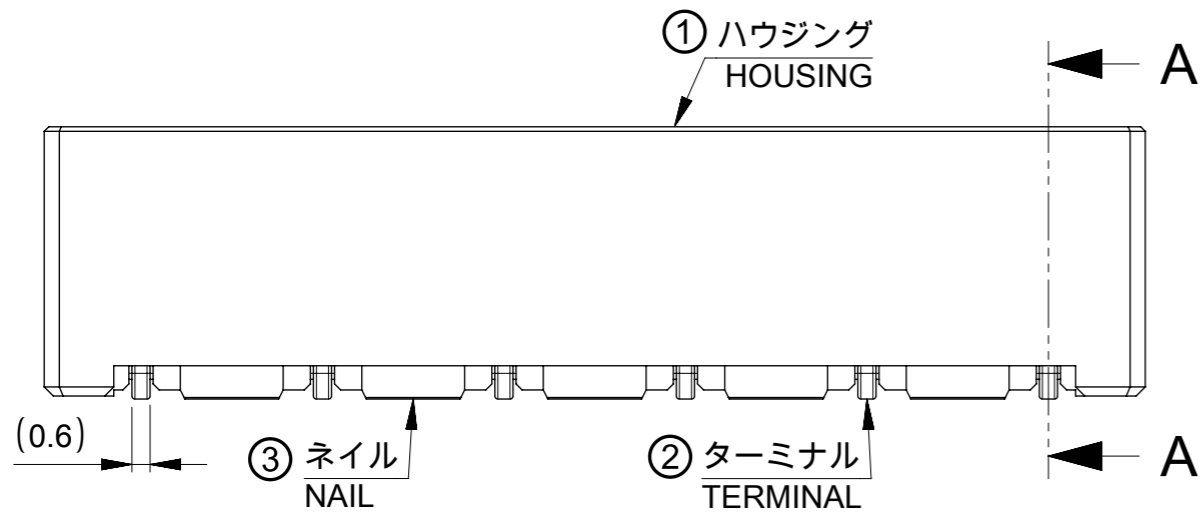
DOCUMENT STATUS	P1	RELEASE DATE	2025/12/01	13:35:03
-----------------	----	--------------	------------	----------



NOTE
 1. 嵌合相手 : 201200 2***
 MATE WITH:201200 2***
 2. ターミナル及びネイルの平坦度 : 0.1MAXIMUM
 TERMINAL AND NAIL COPLANARITY TO BE 0.1MAXIMUM
 3. 製品番号 MATERIAL NO.
 201201 0 ***

NO.	COLOR	KEY TYPE
0	NATURAL	1
1	BLACK	2
2	RED	3
3	YELLOW	4
4	BLUE	5

極数 CIRCUIT SIZE 色 キータイプ COLOR KEY TYPE



NAIL QUANTITY	D	C	B	A	EMBOSSED TAPE PACKAGE ORDER NO.	極数 CIRCUIT NO.
5	6	12	30	36.4	201201 016*	16
4	6	11	28	34.4	201201 015*	15
4	6	10	26	32.4	201201 014*	14
4	6	9	24	30.4	201201 013*	13
3	---	8	22	28.4	201201 012*	12
3	---	7	20	26.4	201201 011*	11
3	---	6	18	24.4	201201 010*	10
2	---	5	16	22.4	201201 009*	9
2	---	4	14	20.4	201201 008*	8
2	---	3	12	18.4	201201 007*	7
1	---	---	10	16.4	201201 006*	6
1	---	---	8	14.4	201201 005*	5
1	---	---	6	13.4	201201 004*	4
1	---	---	4	11.4	201201 003*	3
1	---	---	2	9.4	201201 002*	2

番号 NO.	部品 PART	材質 MATERIAL
①	ハウジング HOUSING	ポリアミド(PA)、ガラス充填、UL94 V-0 POLYAMIDE(PA), GLASS FILLED, UL94 V-0
②	ターミナル TERMINAL	黄銅 BRASS
		錫めっき、リフロー処理(前めっき) PRE-TIN PLATED (HEAT TREATED MATTE TIN) : 1.0 MICRO-METER MINIMUM 銅めっき(下地) COPPER (UNDER PLATING) : 0.5 MICRO-METER MINIMUM
③	ネイル NAIL	黄銅 BRASS
		錫めっき MATTE TIN : 1.0 MICRO-METER MINIMUM
		ニッケルめっき(下地) NICKEL (UNDER PLATING) : 1.0 MICRO-METER MINIMUM

THIS DRAWING CONTAINS INFORMATION THAT IS PROPRIETARY TO MOLEX ELECTRONIC TECHNOLOGIES, LLC AND SHOULD NOT BE USED WITHOUT WRITTEN PERMISSION

DIMENSION UNITS: mm SCALE: NTS

GENERAL TOLERANCES (UNLESS SPECIFIED):
 ANGULAR TOL ± 3.0°
 4 PLACES ±
 3 PLACES ±
 2 PLACES ± 0.2
 1 PLACE ± 0.2
 0 PLACES ± 0.2

DRAFT WHERE APPLICABLE MUST REMAIN WITHIN DIMENSIONS

THIRD ANGLE PROJECTION

DRAWING: A3-SIZE SERIES: 201201

MATERIAL NUMBER: SEE SHEET 2 CUSTOMER: GENERAL

SHEET NUMBER: 1 OF 3

EC NO: 840974 2025/11/12
 DRWN: RAGHAH3 2025/12/01
 CHK'D: GGA
 APPR: GGA 2025/12/01

INITIAL REVISION:
 DRWN: MHAYASHI 2017/08/15
 APPR: TKANEKO 2017/08/24

DOCUMENT NUMBER: 2012011060-SD DOC TYPE: PSD DOC PART: 000 REVISION: B2

molex

SPOT-ON 2.0W/B
 SINGLE ROW SMT PLUG ASSEMBLY

PRODUCT CUSTOMER DRAWING

**MATING
KEY TYPE & COLOR**

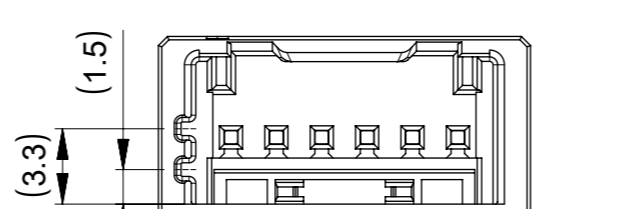
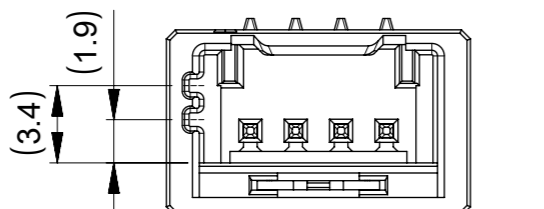
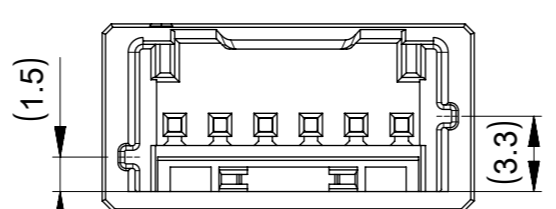
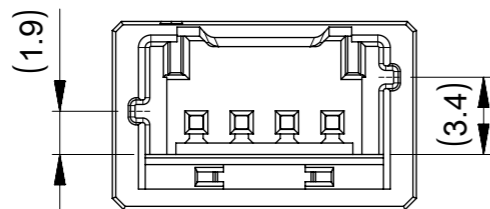
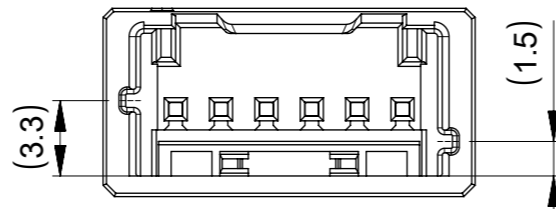
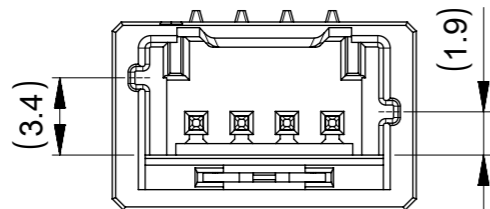
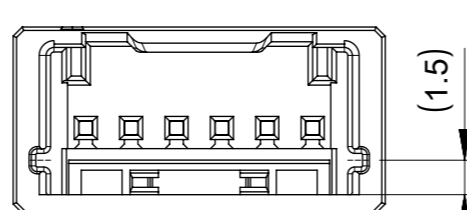
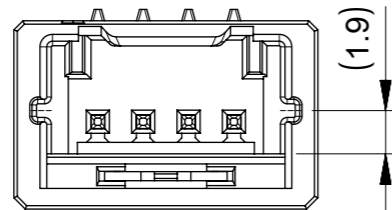
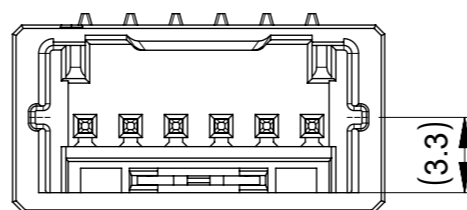
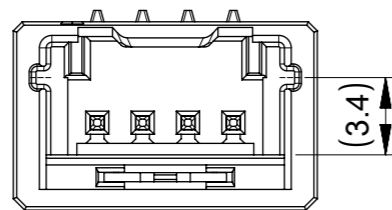
KEY TYPE:1
ORDER No.:2012010**0
COLOR:NATURAL

KEY TYPE:2
ORDER No.:2012010**1
COLOR:BLACK

KEY TYPE:3
ORDER No.:2012010**2
COLOR:RED

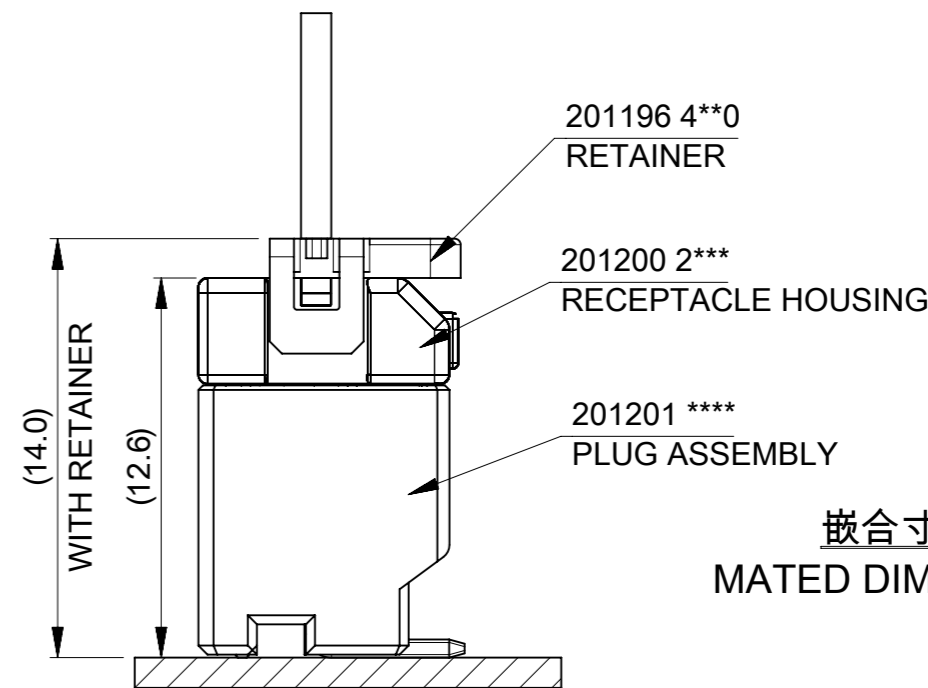
KEY TYPE:4
ORDER No.:2012010**3
COLOR:YELLOW

KEY TYPE:5
ORDER No.:2012010**4
COLOR:BLUE



2~4CKT対応
FOR 2~4CKT

5~16CKT対応
FOR 5~16CKT

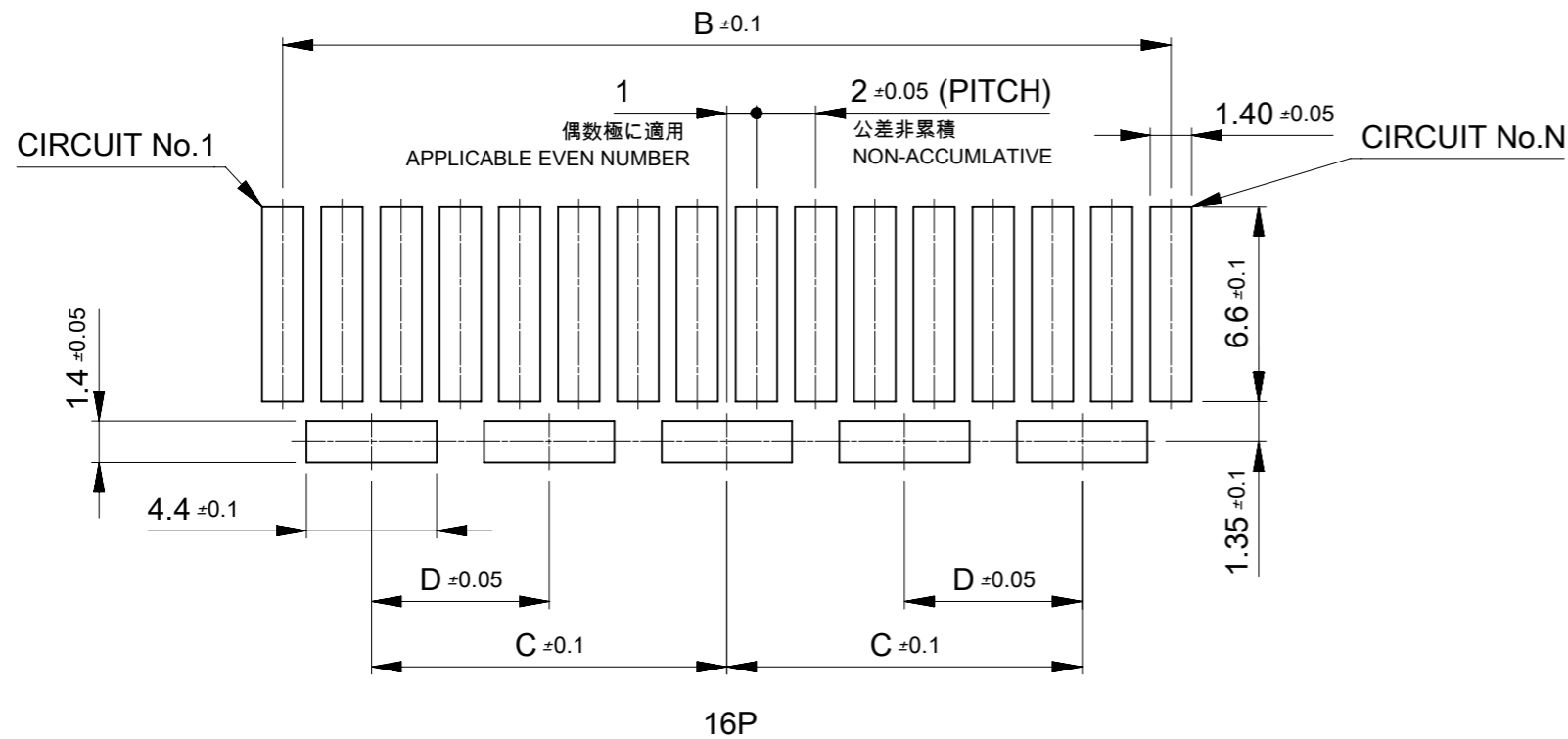


嵌合寸法
MATED DIMENSION

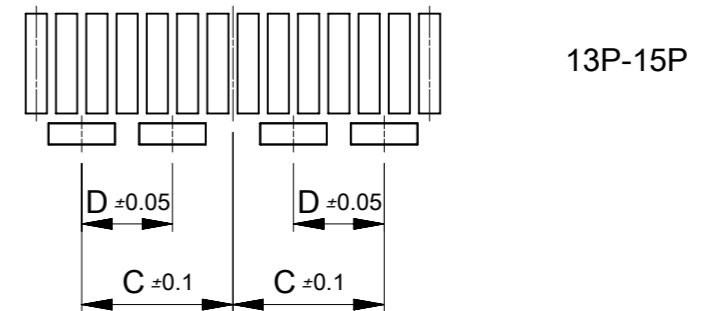
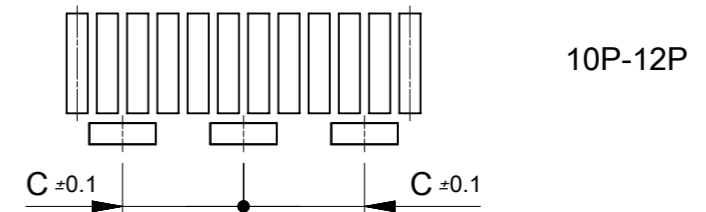
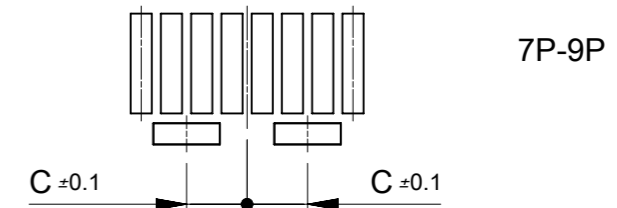
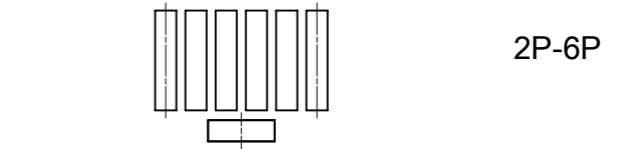
BLUE	YELLOW	RED	BLACK	NATURAL	HOUSING COLOR
---	---	---	201201 0161	---	16
---	---	---	---	201201 0150	15
---	---	---	---	201201 0090	9
---	---	---	---	201201 0080	8
---	---	---	---	201201 0070	7
---	---	---	---	201201 0060	6
201201 0054	201201 0053	201201 0052	201201 0051	201201 0050	5
---	---	---	---	201201 0040	4
---	---	---	---	201201 0030	3
---	---	---	---	201201 0020	2
エンボステープ梱包 EMBOSSED TAPE PACKAGE					極数 CIRCUIT NO.
オーダー番号 ORDER NO.					

THIS DRAWING CONTAINS INFORMATION THAT IS PROPRIETARY TO MOLEX ELECTRONIC TECHNOLOGIES, LLC AND SHOULD NOT BE USED WITHOUT WRITTEN PERMISSION

DIMENSION UNITS mm	SCALE NTS	CURRENT REV DESC: REMOVED OBSOLETE PART NUMBERS AS PER PCN#515988	molex			
GENERAL TOLERANCES (UNLESS SPECIFIED)						SPOT-ON 2.0W/B SINGLE ROW SMT PLUG ASSEMBLY
ANGULAR TOL ± 3.0°	4 PLACES ±	EC NO: 840974	PRODUCT CUSTOMER DRAWING			
3 PLACES ±	2 PLACES ± 0.2	DRWN: RAGHAH3 2025/11/12				
1 PLACE ± 0.2	0 PLACES ± 0.2	CHK'D: GGA 2025/12/01	DOCUMENT NUMBER 2012011060-SD			
INITIAL REVISION: DRWN: MHAYASHI 2017/08/15 APPR: TKANEKO 2017/08/24						DOC TYPE PSD
DRAFT WHERE APPLICABLE MUST REMAIN WITHIN DIMENSIONS	THIRD ANGLE PROJECTION	DRAWING A3-SIZE	SERIES 201201	MATERIAL NUMBER SEE SHEET 2	CUSTOMER GENERAL	SHEET NUMBER 2 OF 3



推奨基板レイアウト
 RECOMMENDED PWB PATTERN LAYOUT
 (参考: メタルマスク厚さ: 120 μ m. マスク開口率100%)
 (REFERENCE: STENCIL THICKNESS: 120 μ m APERTURE RATIO: 100%)



THIS DRAWING CONTAINS INFORMATION THAT IS PROPRIETARY TO MOLEX ELECTRONIC TECHNOLOGIES, LLC AND SHOULD NOT BE USED WITHOUT WRITTEN PERMISSION									
DIMENSION UNITS	SCALE	CURRENT REV DESC: REMOVED OBSOLETE PART NUMBERS AS PER PCN#515988							
mm	NTS								
GENERAL TOLERANCES (UNLESS SPECIFIED)									
ANGULAR TOL	$\pm 3.0^\circ$	SPOT-ON 2.0W/B SINGLE ROW SMT PLUG ASSEMBLY							
4 PLACES	\pm								
3 PLACES	\pm	PRODUCT CUSTOMER DRAWING							
2 PLACES	± 0.2								
1 PLACE	± 0.2	DOCUMENT NUMBER: 2012011060-SD DOC TYPE: PSD DOC PART: 000 REVISION: B2							
0 PLACES	± 0.2								
DRAFT WHERE APPLICABLE MUST REMAIN WITHIN DIMENSIONS		THIRD ANGLE PROJECTION	DRAWING	SERIES	MATERIAL NUMBER	CUSTOMER		SHEET NUMBER	
			A3-SIZE	201201	SEE SHEET 2	GENERAL		3 OF 3	

DOCUMENT STATUS	P1	RELEASE DATE	2025/12/01	13:35:03
-----------------	----	--------------	------------	----------