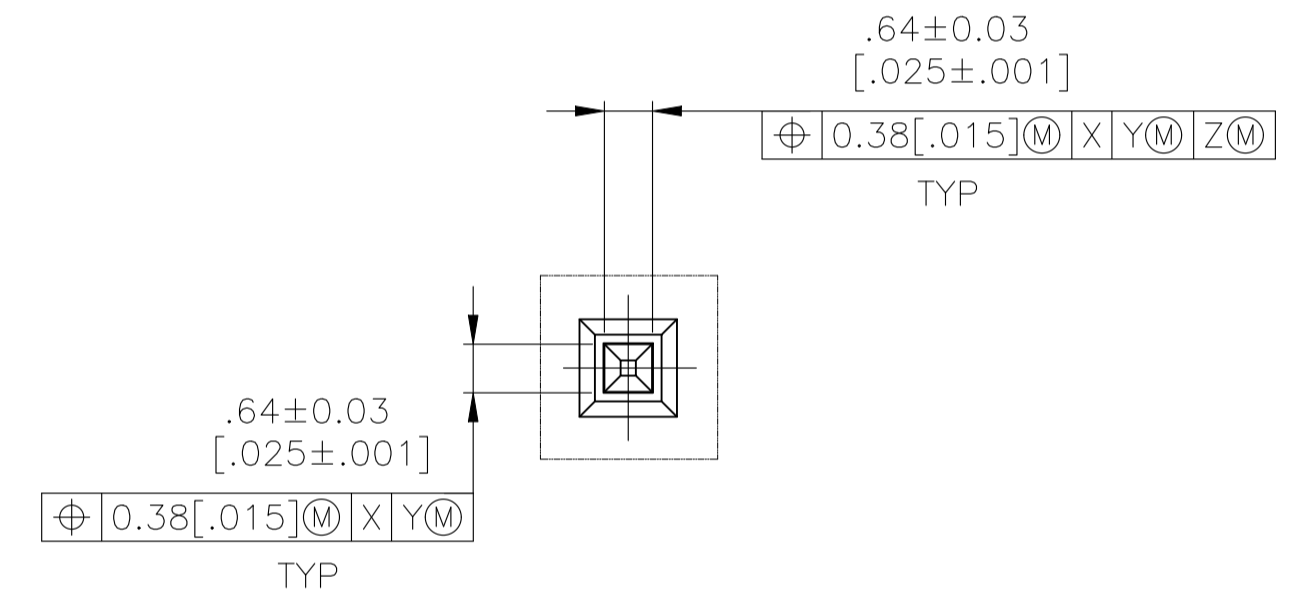
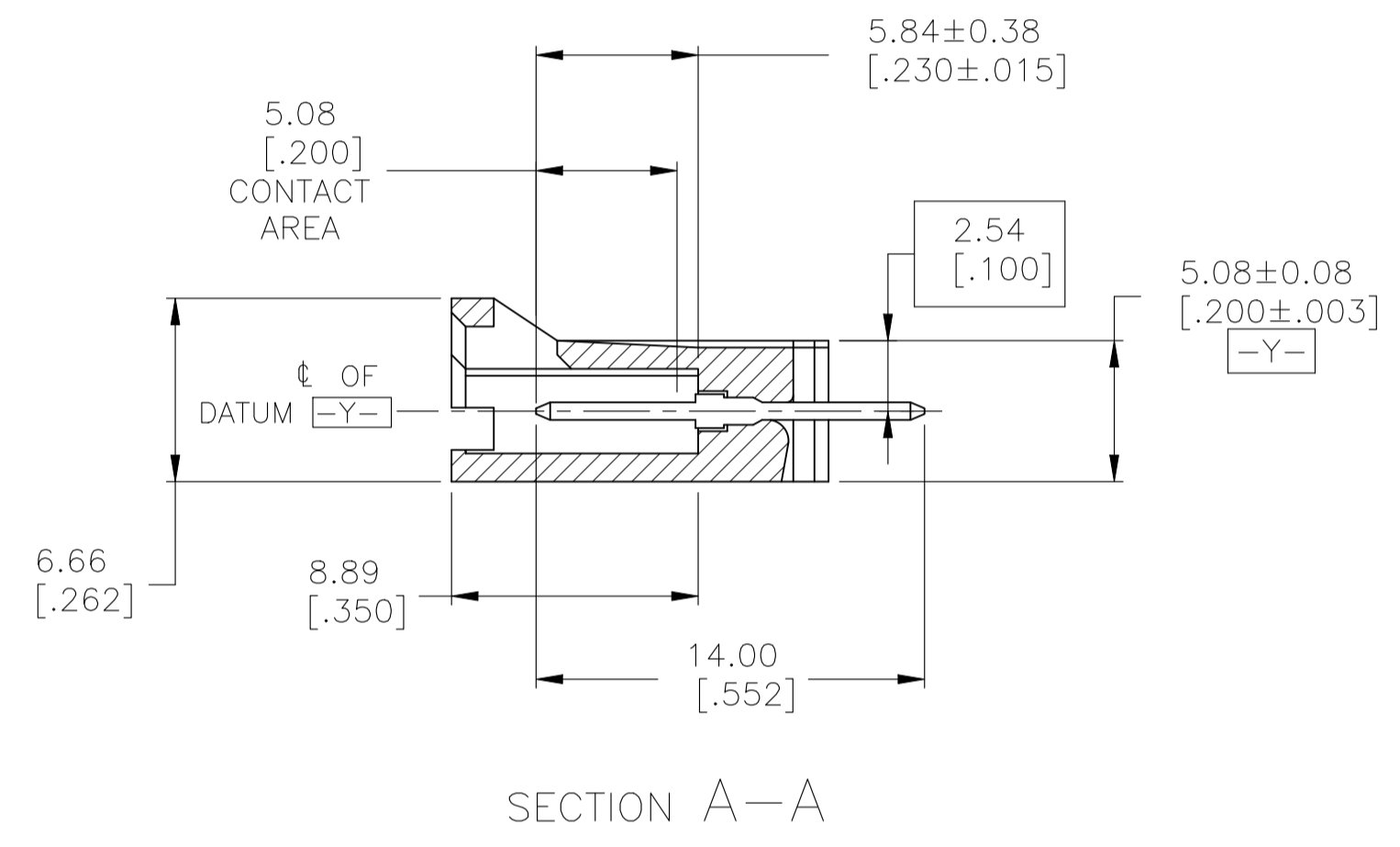
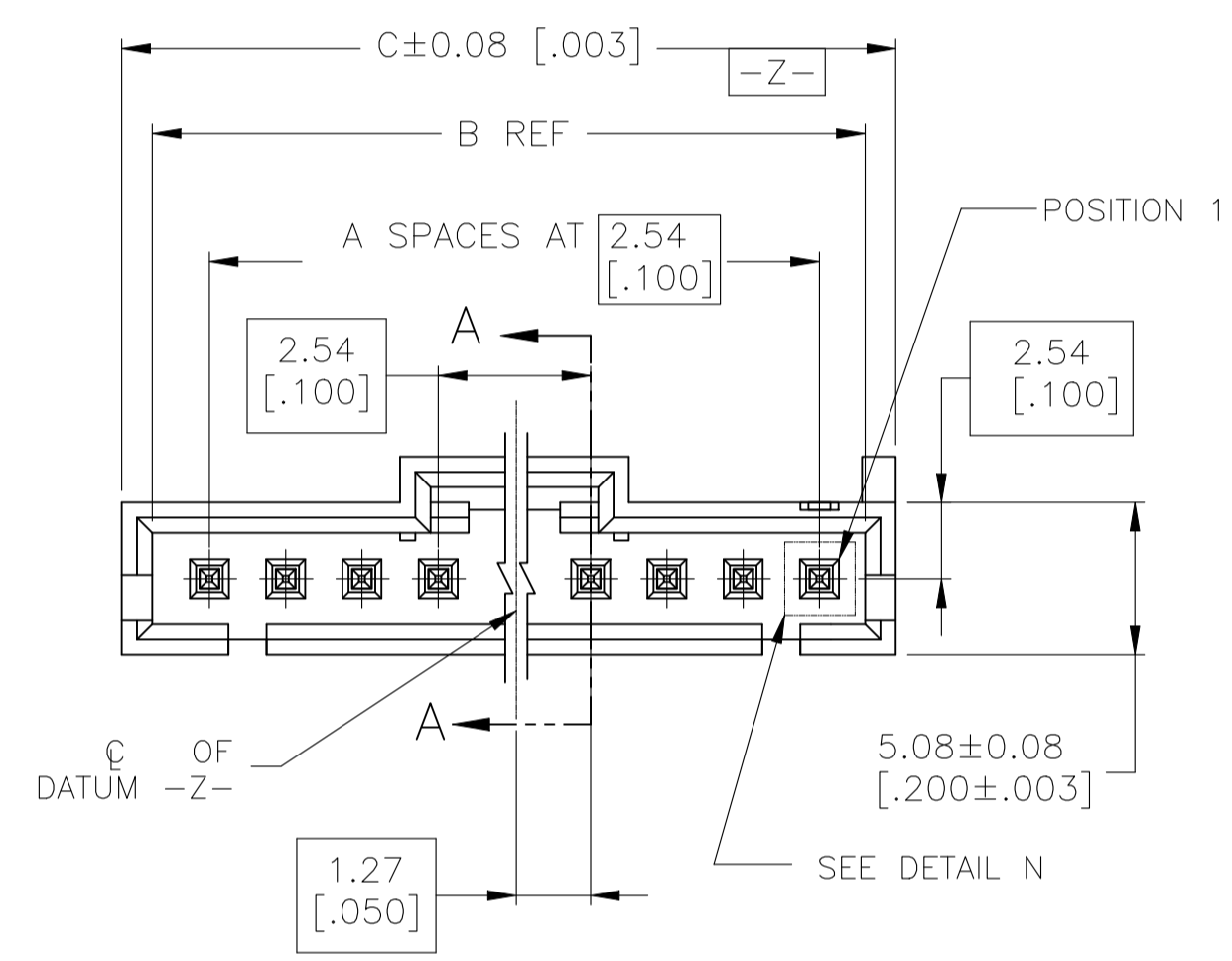
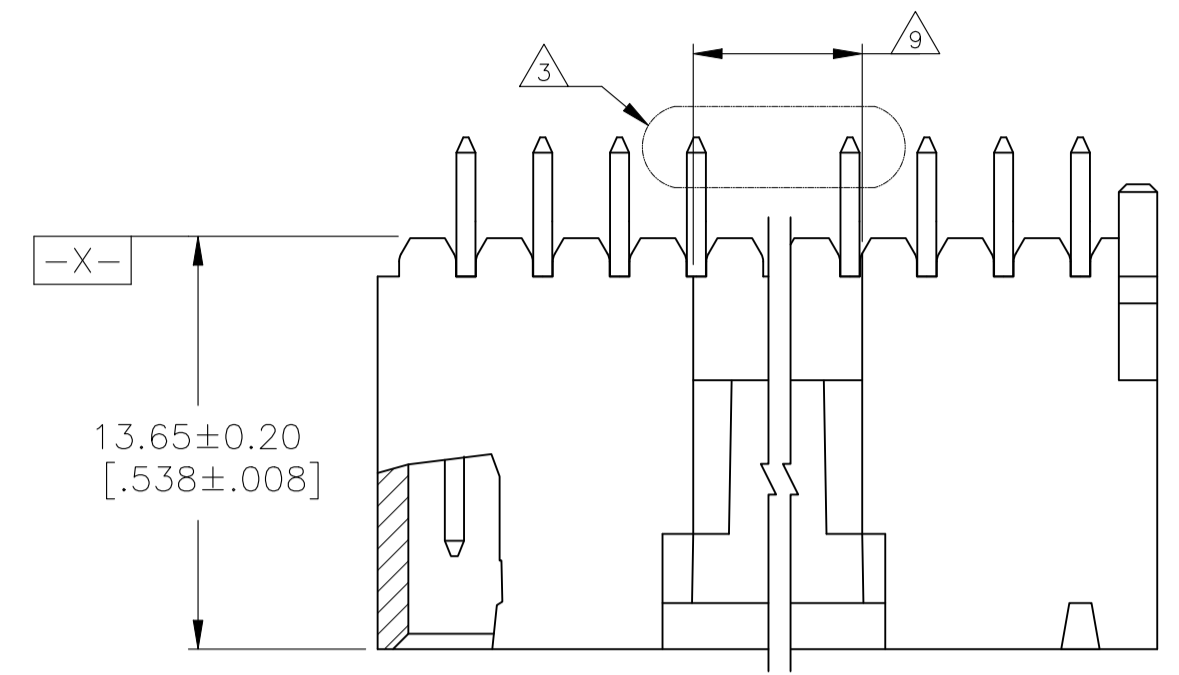
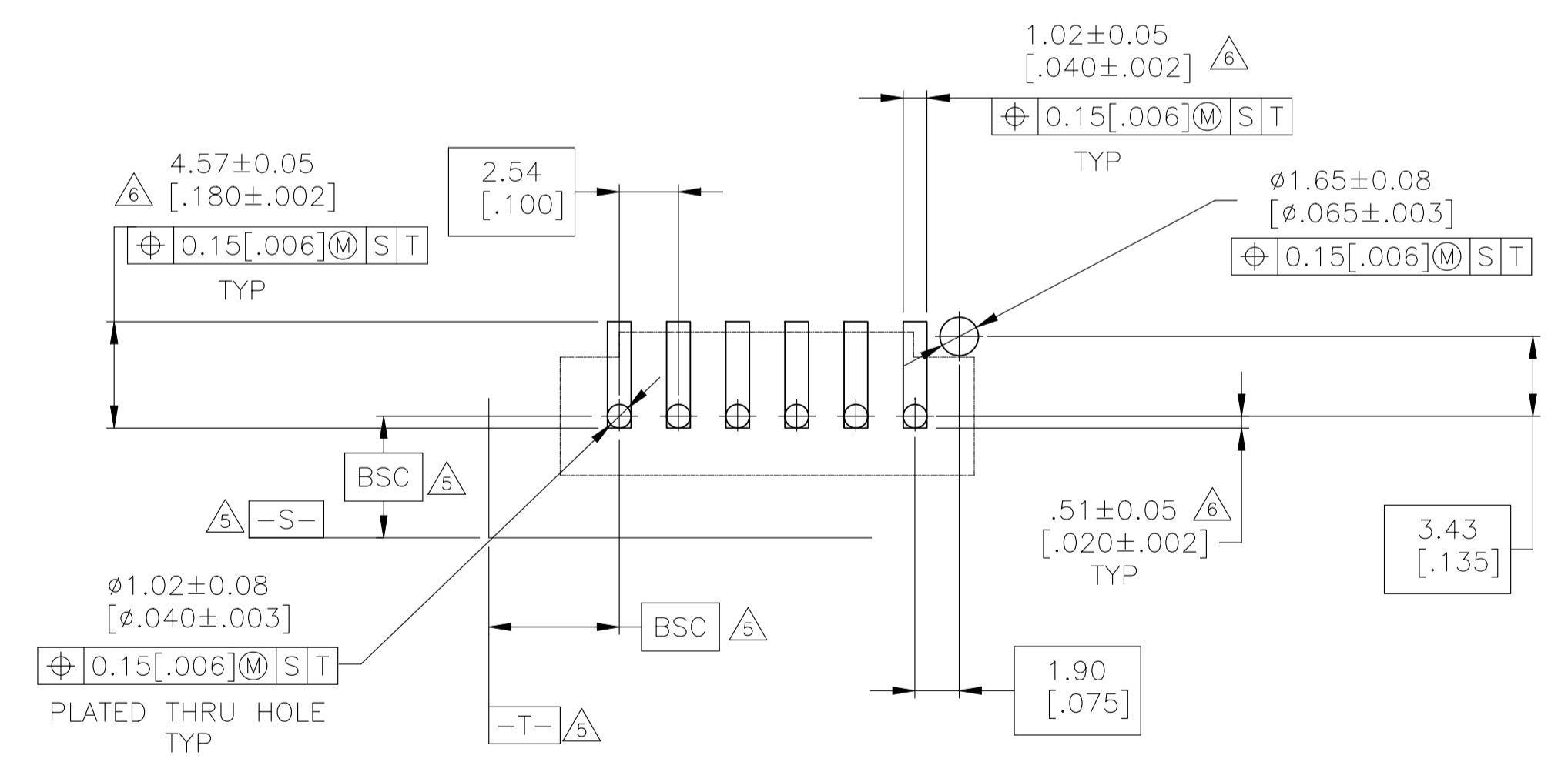


REVISIONS					
REV	DESCRIPTION	DATE	BY	APP'D	REV
G2	ECR-25-261097	04NOV2025	SA	PS	



DETAIL N
SCALE 10:1

DETAIL Z
POST DETAIL TYP
2 POST MINIMUM
SCALE 10:1



RECOMMENDED PC BOARD MOUNTING DIMENSIONS
RECOMMENDED STENCIL THICKNESS = 0.25[.010]

- 1 HOUSING: LCP, COLOR-BLACK.
POST: BRASS
- 2 FINISH: 0.00076 [0.000030] MIN GOLD ON THE CONTACT AREA,
0.00254 [0.000100] MIN MATTE TIN-LEAD ON REMAINDER
OF CONTACT, ALL OVER 0.00127 [0.000050] NICKEL.
- 3 SELECT POST TAILS FORMED TO PROVIDE CONNECTOR
HOLD DOWN UNTIL SOLDERED, CONFIGURATION ACCEPTS 0.69-2.03
[0.027-.080] THICK PRINTED CIRCUIT BOARD.(SEE DETAIL Z)
- 4 PARTS ARE PACKAGED IN GANG TUBES.
- 5 DATUMS AND BASIC DIMENSIONS ESTABLISHED BY CUSTOMER.
- 6 DIMENSIONS NOTED ARE FOR SOLDER STENCIL LAYOUT FOR
USE WITH 1.58 ± 0.20 [0.062 ± 0.008] THICK PRINTED CIRCUIT BOARDS.
- 7 PRELIMINARY PART-NOT RELEASED FOR PRODUCTION.
- 8 FINISH: 0.00076 [0.000030] MIN GOLD ON THE CONTACT AREA,
0.00254 [0.000100] MIN MATTE TIN ON REMAINDER OF
CONTACT, ALL OVER 0.00127 [0.000050] NICKEL.
- 9 0.25 [0.010] RECESS PERMISSIBLE IN THIS AREA FOR MOLD SHUT OFF

OBSOLETE	8	27.81 [1.095]	25.91 [1.020]	9	10	5-147245-9
OBSOLETE	8	22.73 [0.895]	20.83 [0.820]	7	8	5-147245-7
	8	7.49 [0.295]	5.59 [0.220]	1	2	5-147245-1
OBSOLETE	2	27.81 [1.095]	25.91 [1.020]	9	10	147245-9
OBSOLETE	2	22.73 [0.895]	20.83 [0.820]	7	8	147245-7
SUPERSEDED BY 5-147245-1	2	7.49 [0.295]	5.59 [0.220]	1	2	147245-1
		PLATING	C	B	A	NO. OF POSN
						PART NO.

THIS DRAWING IS A CONTROLLED DOCUMENT.

DIMENSIONS: mm [INCHES]

TOLERANCES UNLESS OTHERWISE SPECIFIED:

0. PLC	±	-
1. PLC	±	-
2. PLC	±	-
3. PLC	±	0.1% (.005)
4. PLC	±	-
ANGLES	±	-

MATERIAL: SEE TABLE

THIS DRAWING IS A CONTROLLED DOCUMENT.

DIN: J. HAYMAKER 01APR99

CHK: J. GESFORD 02APR99

APVD: J. GESFORD 02APR99

NAME: HEADER ASSEMBLY, SINGLE ROW, VERTICAL, 2.54 [0.100] CL. 0.64 [0.025] SQ POST, LATCHING WITH HOLD DOWN, MTE AMPMODU

PRODUCT SPEC: --

APPLICATION SPEC: --

SIZE: A1

WEIGHT: --

CAGE CODE: 147245

DRAWING NO: 147245

RESTRICTED TO: --

CUSTOMER DRAWING

SCALE: 4:1

SHEET: 1 of 1

REV: G2