

170089-2 ✓ ACTIVE

FASTIN-FASTON | FASTIN-FASTON 250

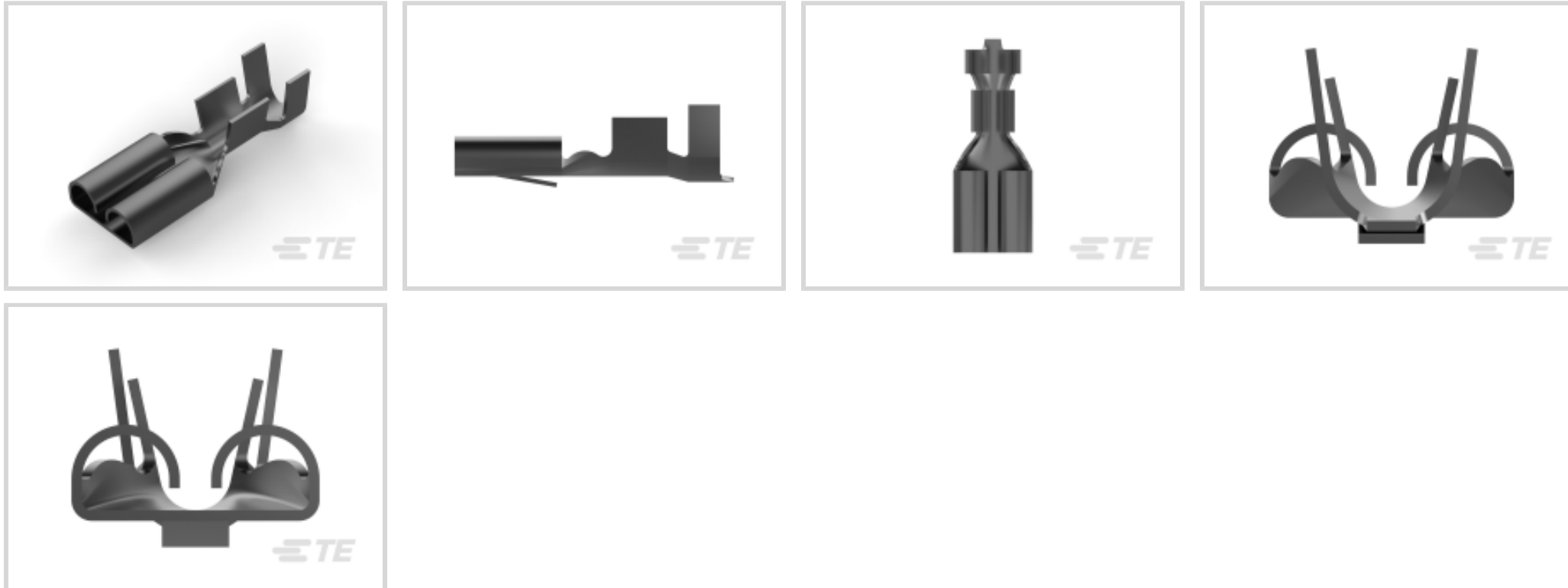
TE Internal #: 170089-2

Receptacle, 14 – 12 AWG Wire Size, 2.1 – 3.31 mm² Wire Size,
Mating Tab Width 6.35 mm [.25 in], Straight, Brass, FASTIN-
FASTON 250, Quick Disconnects

[View on TE.com >](#)



Terminals & Splices > Quick Disconnects



Quick Disconnect Terminal Type: **Receptacle**

Wire Size: **2.1 – 3.31 mm²**

Mating Tab Width: **6.35 mm [.25 in]**

Mating Tab Thickness: **.81 mm [.032 in]**

Features

Contact Features

Quick Disconnect Terminal Type	Receptacle
Mating Tab Width	6.35 mm [.25 in]
Mating Tab Thickness	.81 mm [.032 in]
Terminal Orientation	Straight
Contact Base Material	Brass
Terminal Plating Material	Tin
Crimp Type	F-Crimp
Barrel Type	Open

Dimensions

Wire Size	2.1 – 3.31 mm ²
Product Length	21.5 mm [.846 in]
Compatible Insulation Diameter Range	2.9 – 3.8 mm [.114 – .15 in]
Terminal Material Thickness	.33 mm [.013 in]

Packaging Features

Packaging Method	Strip/Reel
------------------	------------



Packaging Quantity	4000
--------------------	------

Product Type Features

Insertion Force	Normal
-----------------	--------

Usage Conditions

Insulation Option	Uninsulated
-------------------	-------------

Operating Temperature Range	-40 – 110 °C[-40 – 230 °F]
-----------------------------	----------------------------

Other

EU RoHS Compliance	Compliant
--------------------	-----------

EU ELV Compliance	Compliant
-------------------	-----------

Configuration Features

Compatible With Wire & Cable Type	Discrete Wire
-----------------------------------	---------------

Connection Capacity	Single
---------------------	--------

Termination Features

Product Terminates To	Wire & Cable
-----------------------	--------------

Mechanical Attachment

Locking Lance Height	.8 mm
----------------------	-------

Wire Insulation Support	With
-------------------------	------

Mating Retention Type	Locking Lance
-----------------------	---------------

Product Compliance

[For compliance documentation, visit the product page on TE.com>](#)

EU RoHS Directive 2011/65/EU	Compliant
------------------------------	-----------

EU ELV Directive 2000/53/EC	Compliant
-----------------------------	-----------

China RoHS 2 Directive MIIT Order No 32, 2016	No Restricted Materials Above Threshold
-----------------------------------------------	-----------------------------------------

EU REACH Regulation (EC) No. 1907/2006	Current ECHA Candidate List: JUNE 2024 (241) Candidate List Declared Against: JUNE 2024 (241) Does not contain REACH SVHC
----------------------------------------	---------------------------------------------------------------------------------------------------------------------------------

Halogen Content	Low Halogen - Br, Cl, F, I < 900 ppm per homogenous material. Also BFR/CFR/PVC Free
-----------------	-------------------------------------------------------------------------------------

Solder Process Capability	Not applicable for solder process capability
---------------------------	----------------------------------------------

Product Compliance Disclaimer

This information is provided based on reasonable inquiry of our suppliers and represents our current actual knowledge based on the information they provided. This information is subject to change. The part numbers that TE has identified as EU RoHS compliant have a maximum concentration of 0.1% by weight in homogenous materials for lead, hexavalent chromium, mercury, PBB, PBDE, DBP, BBP, DEHP, DIBP, and 0.01% for cadmium, or qualify for an exemption to these limits as defined in the Annexes of Directive 2011/65/EU (RoHS2). Finished electrical and electronic equipment products will be CE marked as required by Directive 2011/65/EU. Components may not be CE marked. Additionally, the part numbers that TE has identified as EU ELV compliant have a maximum concentration of 0.1% by weight in homogenous materials for lead, hexavalent chromium, and mercury, and 0.01% for cadmium, or qualify for an exemption to these limits as defined in the Annexes of Directive 2000/53/EC (ELV). Regarding the REACH Regulation, the information TE provides on SVHC in articles for this part number is based on the latest European Chemicals Agency (ECHA) 'Guidance on requirements for substances in articles' posted at this URL: <https://echa.europa.eu/guidance-documents/guidance-on-reach>

Compatible Parts



TE Part # 170303-1
FF 250 REC 22-18AWG BR WITH LATCH



TE Part # 2150533-1
OCEAN_2.0_Applicator-E-130F180F-REM



TE Part # 2150533-2
OCEAN_2.0_Applicator-E-130F180F-REA

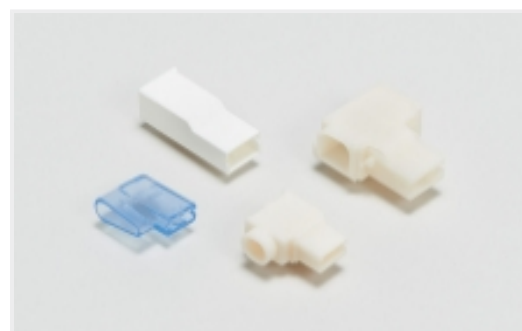


TE Part # 2819183-1
.250 SERIES FASTIN FASTON REC.



TE Part # 7-2150533-7
OCEAN_2.0_SPARE_PART_KIT-130F180F

Also in the Series | FASTIN-FASTON 250



Crimp Terminal Housings(207)



Insertion & Extraction Tools(2)

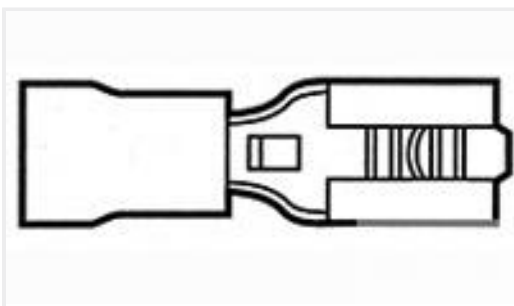


PCB Terminals(2)

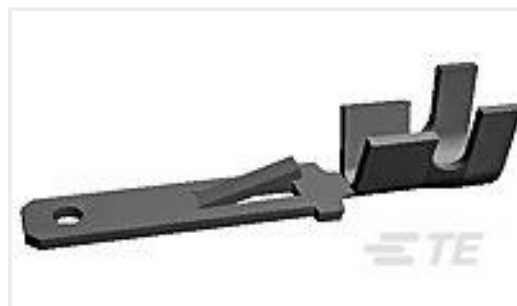


Quick Disconnects(250)

Customers Also Bought



TE Part #9-160483-5
187 PIDG FASTON REC



TE Part #160786-2
FF 250 TAB 0.5-1.5MM2 TPPB



TE Part #1954289-3
Connector, Blade & Recept 6 Pos



TE Part #5748271-1
FEMALE SCREWLOCK KIT



TE Part #1717109-2
0.64 III 16POS PLUG ASSY



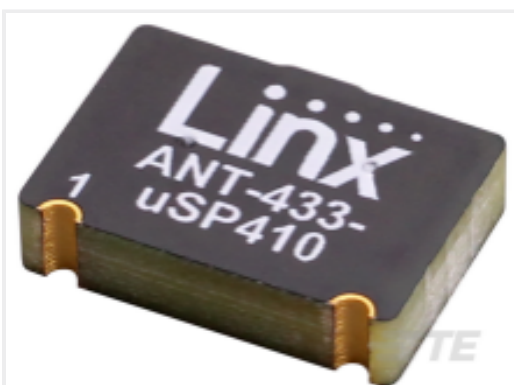
TE Part #1827120-1
SQUIB LOCKING BUTTON



TE Part #1-2291193-3
SMARTSEAL TERMINAL



TE Part #154721-E
SMCB 80 F AB VV 7-03 CL * H007 137 E002



TE Part #ANT-433-USP410
Antenna uSP PCB RPC 410 433MHz
SMT T&R



TE Part #L9000126-01
Antenna Adh LPWA 698-960MHz 1.13
100 UFL

Documents

Product Drawings

[FF 250 REC 14-12AWG TPBR](#)

Japanese

CAD Files

[3D PDF](#)

3D

Customer View Model

[ENG_CVM_CVM_170089-2_P_c-170089-2-p.2d_dxf.zip](#)

English

Customer View Model

[ENG_CVM_CVM_170089-2_P_c-170089-2-p.3d_igs.zip](#)

English

Customer View Model

[ENG_CVM_CVM_170089-2_P_c-170089-2-p.3d_stp.zip](#)

English

By downloading the CAD file I accept and agree to the [Terms and Conditions](#) of use.

Product Specifications



[Crimping of 250 Series Tab and Receptacle Contacts](#)

Japanese

[Application Specification](#)

Japanese

[Application Specification](#)

Japanese

[Crimping of 250 Series Tab and Receptacle Contacts](#)

Japanese

[Agency Approvals](#)

[UL Report](#)

English