

61664-1 ✓ ACTIVE

FASTON | FASTON 187

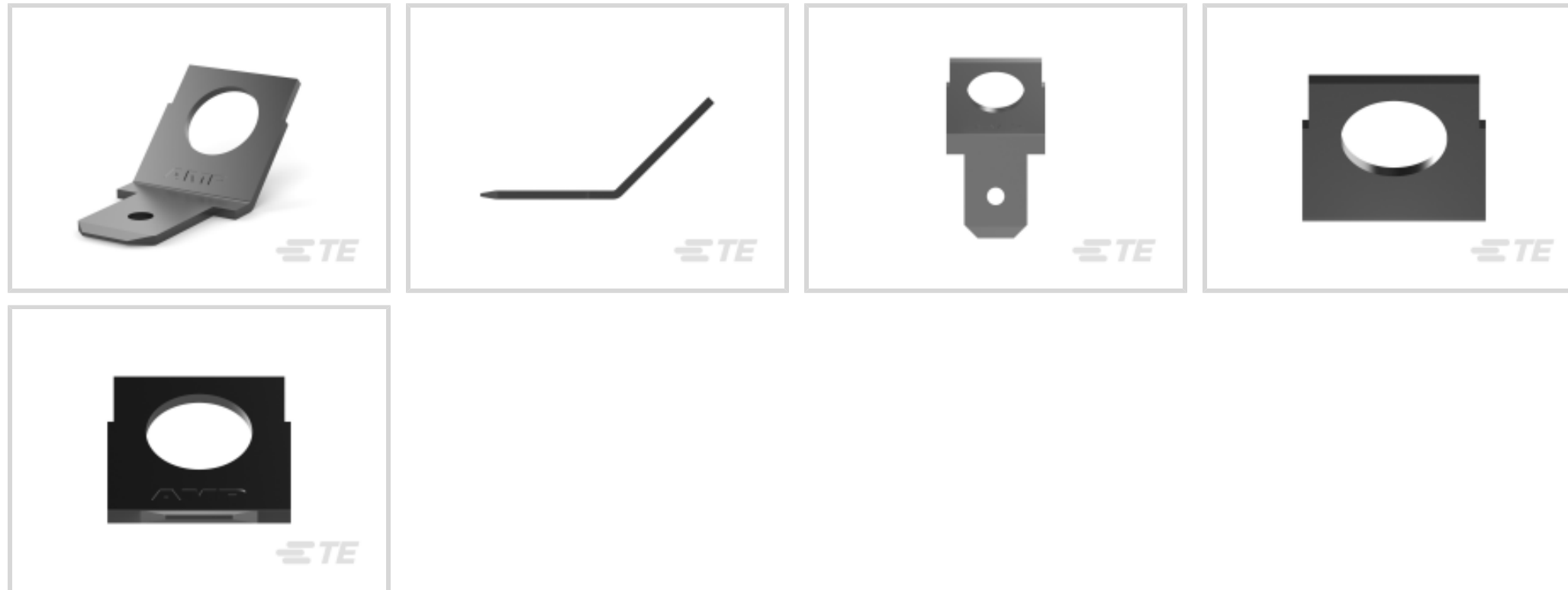
TE Internal #: 61664-1

Tab, Mating Tab Width 4.75 mm [.187 in], PCB Hole Diameter 4.34 mm [.171 in], Through Hole - Screw, Tin Plating, None, Bag, FASTON 187, PCB Terminals

[View on TE.com >](#)



Terminals & Splices > PCB Terminals



PCB Terminal Type: **Tab**

Mating Tab Width: **4.75 mm [.187 in]**

Mating Tab Thickness: **.51 mm [.02 in]**

PCB Hole Diameter: **4.34 mm [.171 in]**

Profile Height from PCB: **5.85 mm [.23 in]**

## Features

### Industry Standards

Compatible With Agency/Standards Products	UL, CSA
---	---------

### Product Type Features

Terminal Features	Stud Hole
-------------------	-----------

### Usage Conditions

Insulation Option	Uninsulated
Operating Temperature Range	-40 – 105 °C[-40 – 221 °F]

### Packaging Features

Packaging Quantity	1000
Packaging Method	Bag

### Dimensions

Stud Diameter	4.34 mm[.171 in]
PCB Hole Diameter	4.34 mm[.171 in]
Profile Height from PCB	5.85 mm[.23 in]



### Contact Features

Contact Mating Area Plating Material Thickness	1.01 $\mu$ m[40 $\mu$ in]
PCB Contact Termination Area Plating Material Thickness	1.01 $\mu$ m[40 $\mu$ in]
Terminal Plating Finish	Matte
PCB Terminal Type	Tab
Mating Tab Width	4.75 mm[.187 in]
Mating Tab Thickness	.51 mm[.02 in]
Terminal Plating Material	Tin
Contact Underplating Material	None
Terminal Size	4.75
Terminal Orientation	45 Bend

### Termination Features

Termination Method to PCB	Through Hole - Screw
Product Terminates To	Printed Circuit Board

### Other

EU RoHS Compliance	Compliant
EU ELV Compliance	Compliant

### Product Compliance

[For compliance documentation, visit the product page on TE.com>](#)

EU RoHS Directive 2011/65/EU	Compliant
EU ELV Directive 2000/53/EC	Compliant
China RoHS 2 Directive MIIT Order No 32, 2016	No Restricted Materials Above Threshold
EU REACH Regulation (EC) No. 1907/2006	Current ECHA Candidate List: JUNE 2024 (241) Candidate List Declared Against: JUNE 2024 (241) Does not contain REACH SVHC
Halogen Content	Low Halogen - Br, Cl, F, I < 900 ppm per homogenous material. Also BFR/CFR/PVC Free
Solder Process Capability	Not applicable for solder process capability

#### Product Compliance Disclaimer

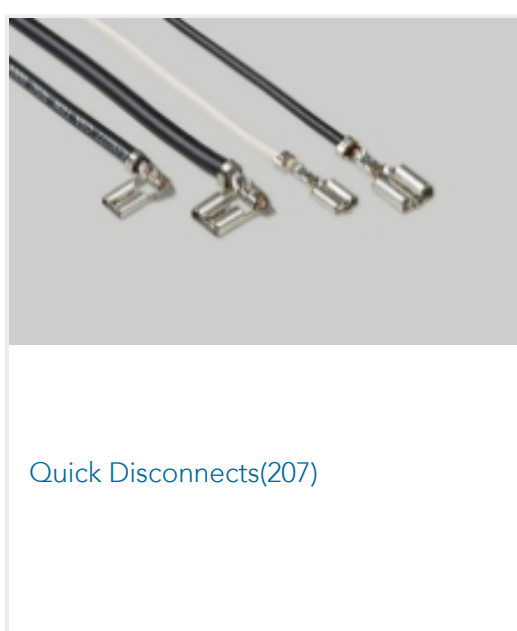
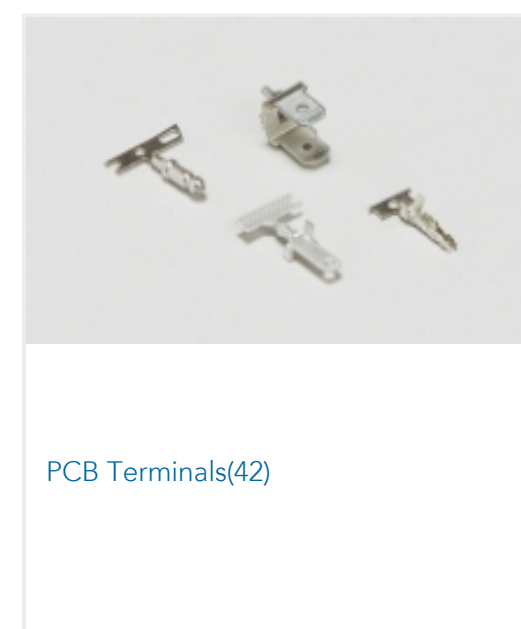
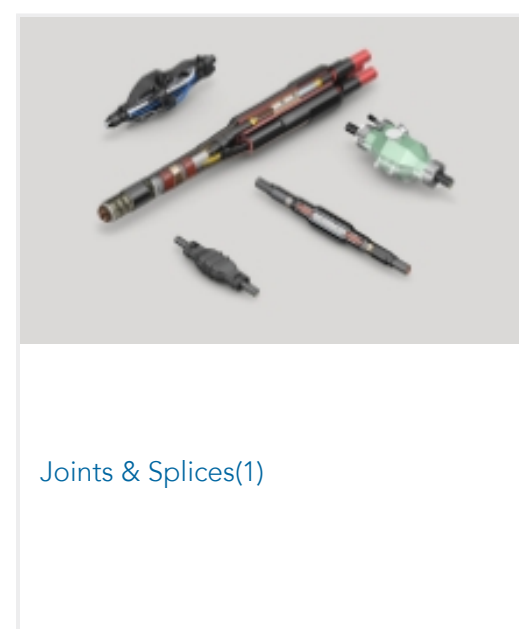
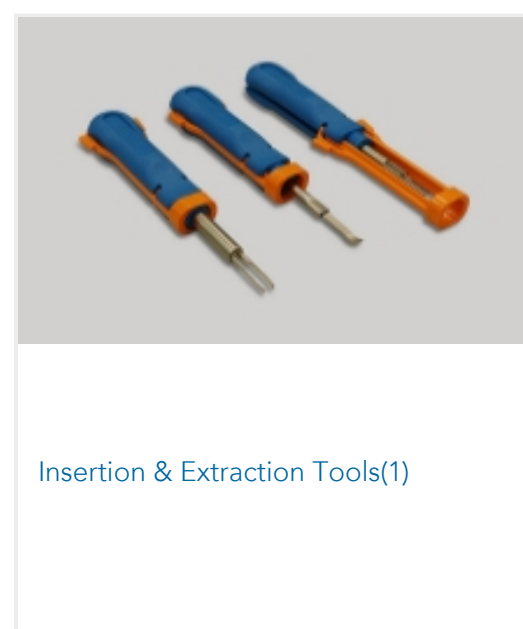
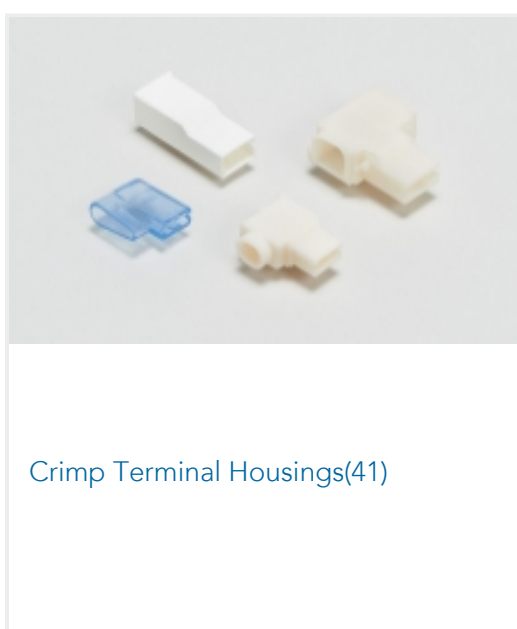
This information is provided based on reasonable inquiry of our suppliers and represents our current actual knowledge based on the information they provided. This information is subject to change. The part numbers that TE has identified as EU RoHS compliant have a maximum concentration of 0.1% by weight in homogenous materials for lead, hexavalent

chromium, mercury, PBB, PBDE, DBP, BBP, DEHP, DIBP, and 0.01% for cadmium, or qualify for an exemption to these limits as defined in the Annexes of Directive 2011/65/EU (RoHS2). Finished electrical and electronic equipment products will be CE marked as required by Directive 2011/65/EU. Components may not be CE marked. Additionally, the part numbers that TE has identified as EU ELV compliant have a maximum concentration of 0.1% by weight in homogenous materials for lead, hexavalent chromium, and mercury, and 0.01% for cadmium, or qualify for an exemption to these limits as defined in the Annexes of Directive 2000/53/EC (ELV). Regarding the REACH Regulation, the information TE provides on SVHC in articles for this part number is based on the latest European Chemicals Agency (ECHA) 'Guidance on requirements for substances in articles' posted at this URL: <https://echa.europa.eu/guidance-documents/guidance-on-reach>

## Compatible Parts



## Also in the Series | FASTON 187



## Customers Also Bought



TE Part #1735447-8  
HPI 2.0 RECEPTACLE HOUSING, 8P



TE Part #2-1761603-1  
IDC LOW PRO HDR 6P VERT BLUE



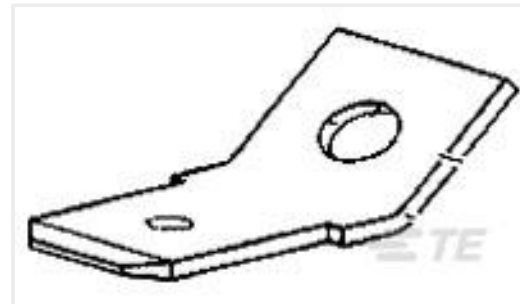
TE Part #1-84953-8  
1MM FPC HORZ.TOP CONT.ASSY 18P



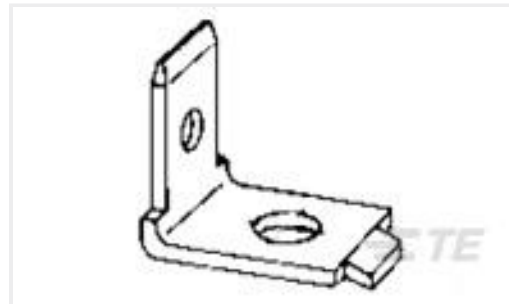
TE Part #5406436-1  
MJ,TE,8P,SHLD W/PNL STPS



TE Part #5520258-2  
MJ,TE,6P/4C,PNL STOPS,TRAY P



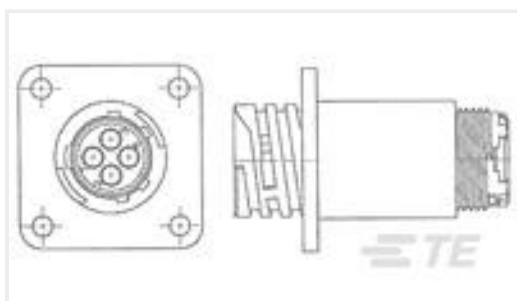
TE Part #61365-1  
250 FASTON TAB TPBR



TE Part #170001-3  
187 FASTON,TAB,TPBR



TE Part #1217050-1  
187 FASTON,TAB,TPBR



TE Part #796286-1  
RCPT.ASSY,23-37STD SEX SQ.FLNG



TE Part #42214-1  
250 FASTON TAB BR

## Documents

### Product Drawings

#### 187 FASTON TAB TPBR

English

### CAD Files

#### 3D PDF

3D

#### Customer View Model

[ENG\\_CVM\\_CVM\\_61664-1\\_H.2d\\_dxf.zip](#)

English

#### Customer View Model

[ENG\\_CVM\\_CVM\\_61664-1\\_H.3d\\_igs.zip](#)

English

#### Customer View Model

[ENG\\_CVM\\_CVM\\_61664-1\\_H.3d\\_stp.zip](#)

English

By downloading the CAD file I accept and agree to the [Terms and Conditions](#) of use.

### Datasheets & Catalog Pages



## FASTON Tabs

English

---

## Product Specifications

### Application Specification

English