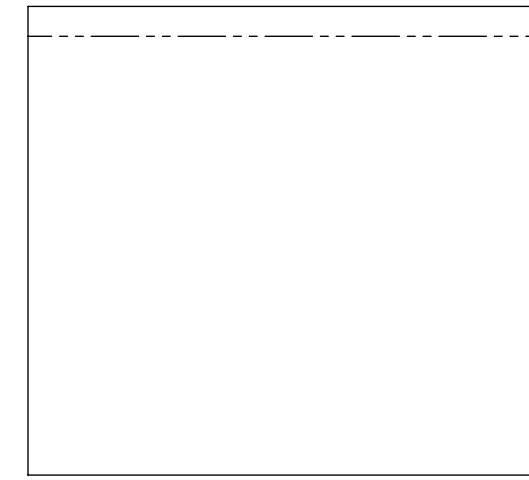
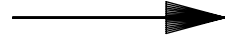
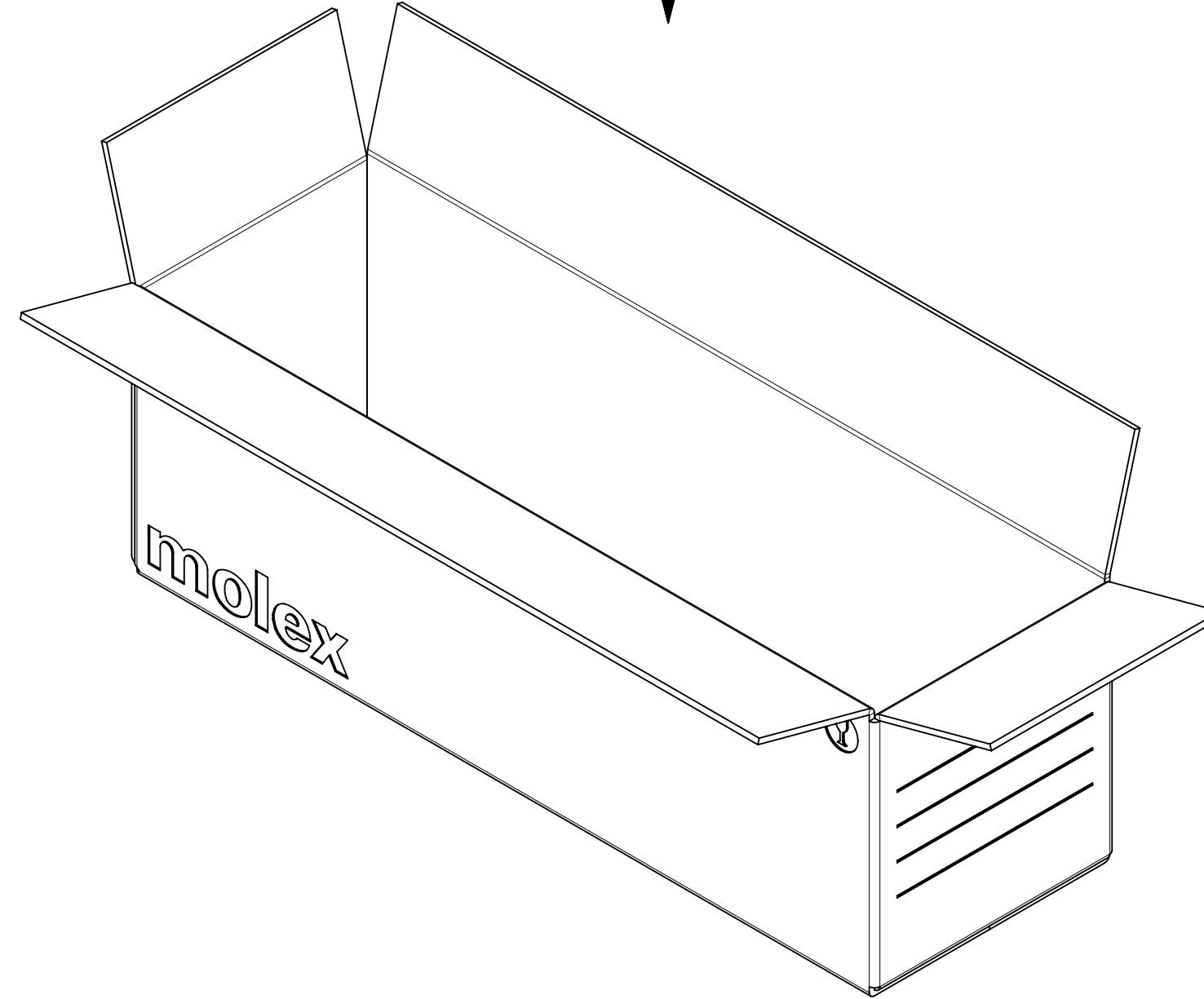


PART NO: 73415-0950
 PART NO: 73415-0952
 PART NO: 73415-0954
 PART NO: 73415-0955



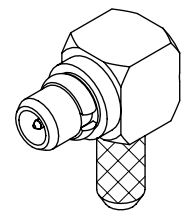
500 SETS PER POLY BAG
 P/N: 89707-0001



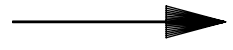
4000 SETS PER OUTER
 CARTON BOX
 P/N: 96707-0002

FUNCTIONAL SYMBOLS	THIS DRAWING CONTAINS INFORMATION THAT IS PROPRIETARY TO MOLEX ELECTRONIC TECHNOLOGIES, LLC AND SHOULD NOT BE USED WITHOUT WRITTEN PERMISSION			
	DIMENSION UNITS	SCALE	CURRENT REV DESC: EWR-16355-A: CHANGE STATUS TO GENERAL MARKET FROM RESTRICTED CUSTOMER	
$\nabla_A = 0$	mm/INCH	NTS	molex PACKING SPEC FOR 73415-095 PART EWR-16355-A PRODUCT SALES DRAWING	
$\nabla_C = 0$	GENERAL TOLERANCES (UNLESS SPECIFIED)			
$\nabla_P = 0$	ANGULAR TOL $\pm 0.5^\circ$			
DIVISIONAL SYMBOLS	3 PLACES \pm			
	4 PLACES \pm		DOCUMENT NUMBER	
	2 PLACES \pm		734150950PKG	
	1 PLACE \pm		DOC TYPE	DOC PART
	0 PLACES \pm		PSD	000
	DRAFT WHERE APPLICABLE MUST REMAIN WITHIN DIMENSIONS	THIRD ANGLE PROJECTION	DRAWING	SERIES
			C-SIZE	73415
			MATERIAL NUMBER	CUSTOMER
				SHEET NUMBER
				1 OF 3

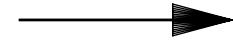
REVISION	DOC PART	DOC TYPE	DOCUMENT NUMBER
A1	000	PSD	734150950PKG



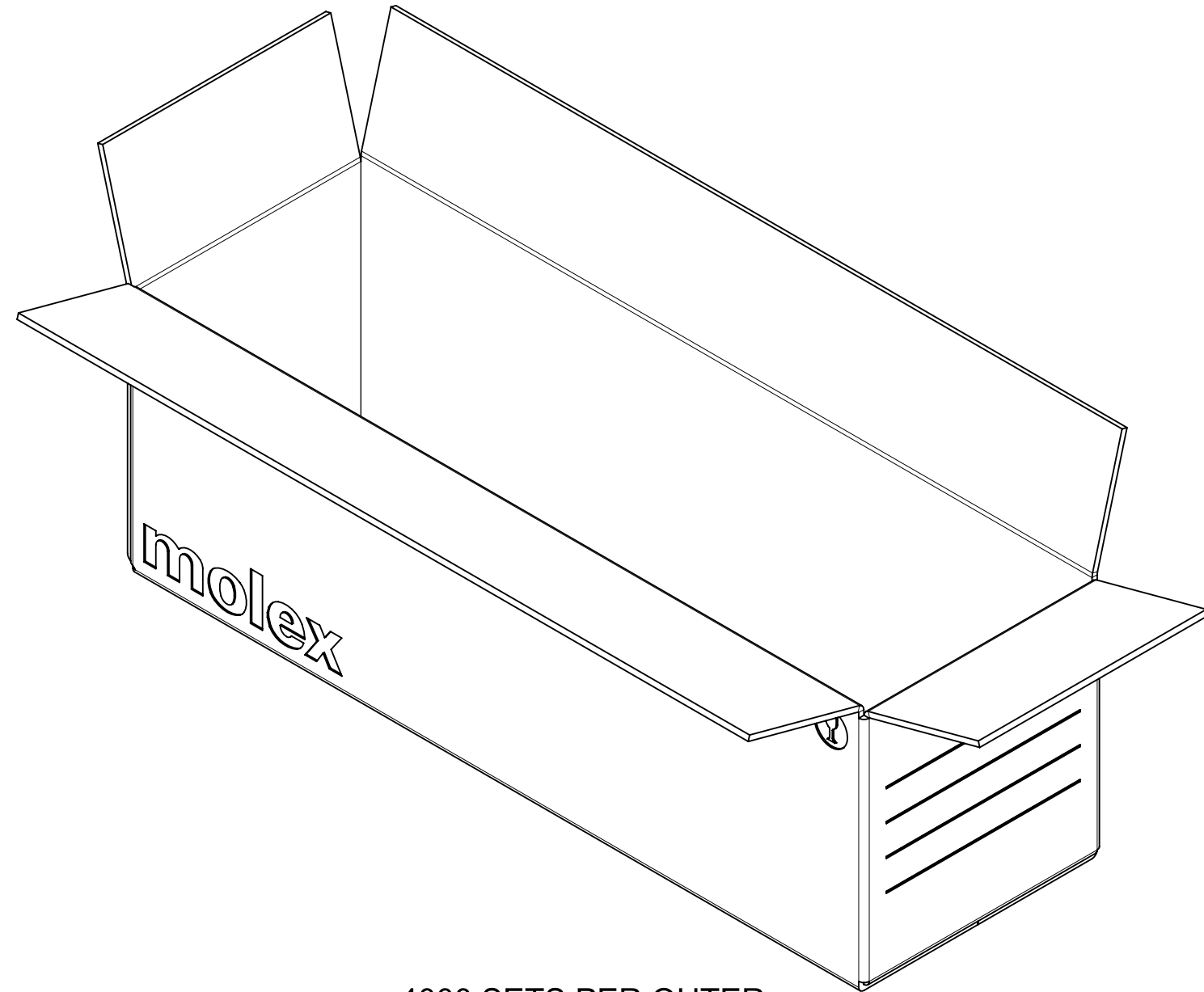
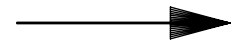
PART NO: 73415-0951



500 SETS PER POLY BAG
P/N: 89707-0001

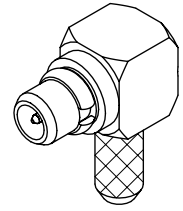


500 SETS PER POLY BAG
P/N: 89707-0176

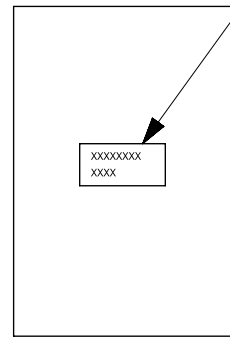
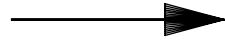


4000 SETS PER OUTER
CARTON BOX
P/N: 96707-0002

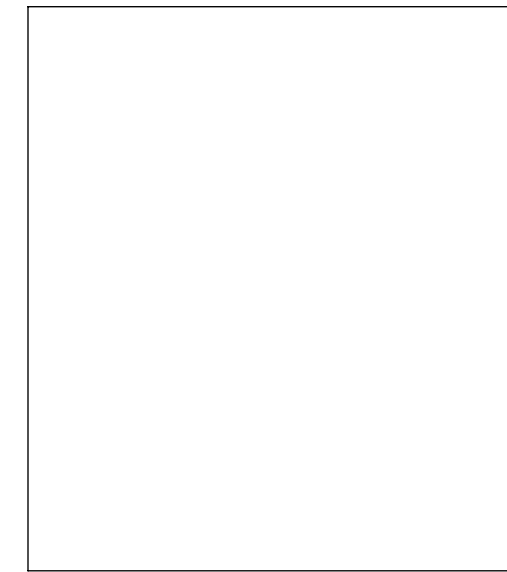
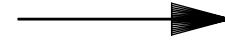
FUNCTIONAL SYMBOLS $\nabla_A = 0$ $\nabla_C = 0$ $\nabla_P = 0$ DIVISIONAL SYMBOLS 3 PLACES \pm 2 PLACES \pm 1 PLACE \pm 0 PLACES \pm	THIS DRAWING CONTAINS INFORMATION THAT IS PROPRIETARY TO MOLEX ELECTRONIC TECHNOLOGIES, LLC AND SHOULD NOT BE USED WITHOUT WRITTEN PERMISSION		molex PACKING SPEC FOR 73415-095 PART EWR-16355-A	
	DIMENSION UNITS: mm/INCH SCALE: NTS	CURRENT REV DESC: EWR-16355-A: CHANGE STATUS TO GENERAL MARKET FROM RESTRICTED CUSTOMER		
	GENERAL TOLERANCES (UNLESS SPECIFIED) ANGULAR TOL $\pm 0.5^\circ$ 4 PLACES \pm		PRODUCT SALES DRAWING	
	DRAFT WHERE APPLICABLE MUST REMAIN WITHIN DIMENSIONS		STATUS: Production DRWN: JasonYS Su CHK'D: Darry Cheng APPR: Darry Cheng	2024-05-21 2024-05-21 2024-05-21
		THIRD ANGLE PROJECTION 	DRAWING: C-SIZE SERIES: 73415	MATERIAL NUMBER: _____ CUSTOMER: _____ SHEET NUMBER: 2 OF 3



PART NO: 73415-0953

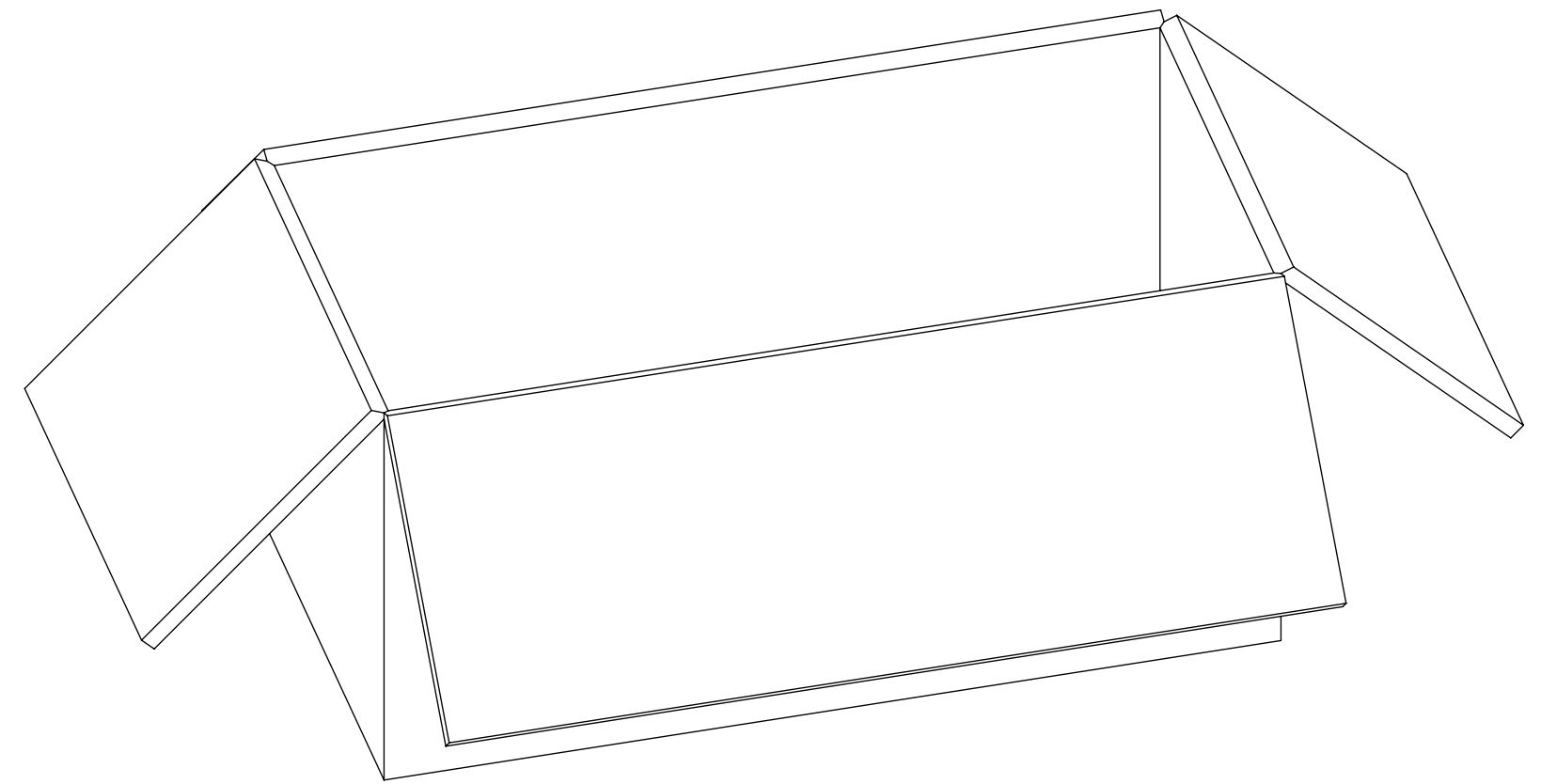
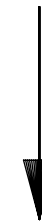


LABEL TEXT:
MOLEX P/N
DATE CODE(YMMM)



1 SET PER POLY BAG
POLY BAG PART NO. 89707-0317

50 SETS PER POLY BAG
POLY BAG PART NO. 89707-0174



500 SETS PER OUTER CARTON BOX
PART NO. 89499-9027

FUNCTIONAL SYMBOLS	THIS DRAWING CONTAINS INFORMATION THAT IS PROPRIETARY TO MOLEX ELECTRONIC TECHNOLOGIES, LLC AND SHOULD NOT BE USED WITHOUT WRITTEN PERMISSION																			
	THIS DRAWING CONTAINS INFORMATION THAT IS PROPRIETARY TO MOLEX ELECTRONIC TECHNOLOGIES, LLC AND SHOULD NOT BE USED WITHOUT WRITTEN PERMISSION	CURRENT REV DESC: EWR-16355-A: CHANGE STATUS TO GENERAL MARKET FROM RESTRICTED CUSTOMER								PACKING SPEC FOR 73415-095 PART EWR-16355-A										
$\frac{F}{A} = 0$ $\frac{F}{C} = 0$ $\frac{F}{P} = 0$	DIMENSION UNITS mm/INCH	SCALE NTS	GENERAL TOLERANCES (UNLESS SPECIFIED) ANGULAR TOL $\pm 0.5^\circ$																	
DIVISIONAL SYMBOLS	4 PLACES \pm	3 PLACES \pm	2 PLACES \pm	1 PLACE \pm	0 PLACES \pm	DRAFT WHERE APPLICABLE MUST REMAIN WITHIN DIMENSIONS		THIRD ANGLE PROJECTION 		DRAWING C-SIZE	SERIES 73415	STATUS: Production DRWN: JasonYS Su CHK'D: Darry Cheng APPR: Darry Cheng	2024-05-21 2024-05-21 2024-05-21	DOCUMENT NUMBER 734150950PKG	DOC TYPE PSD	DOC PART 000	REVISION A1	MATERIAL NUMBER 	CUSTOMER 	SHEET NUMBER 3 OF 3

MATERIALS AND FINISHES:

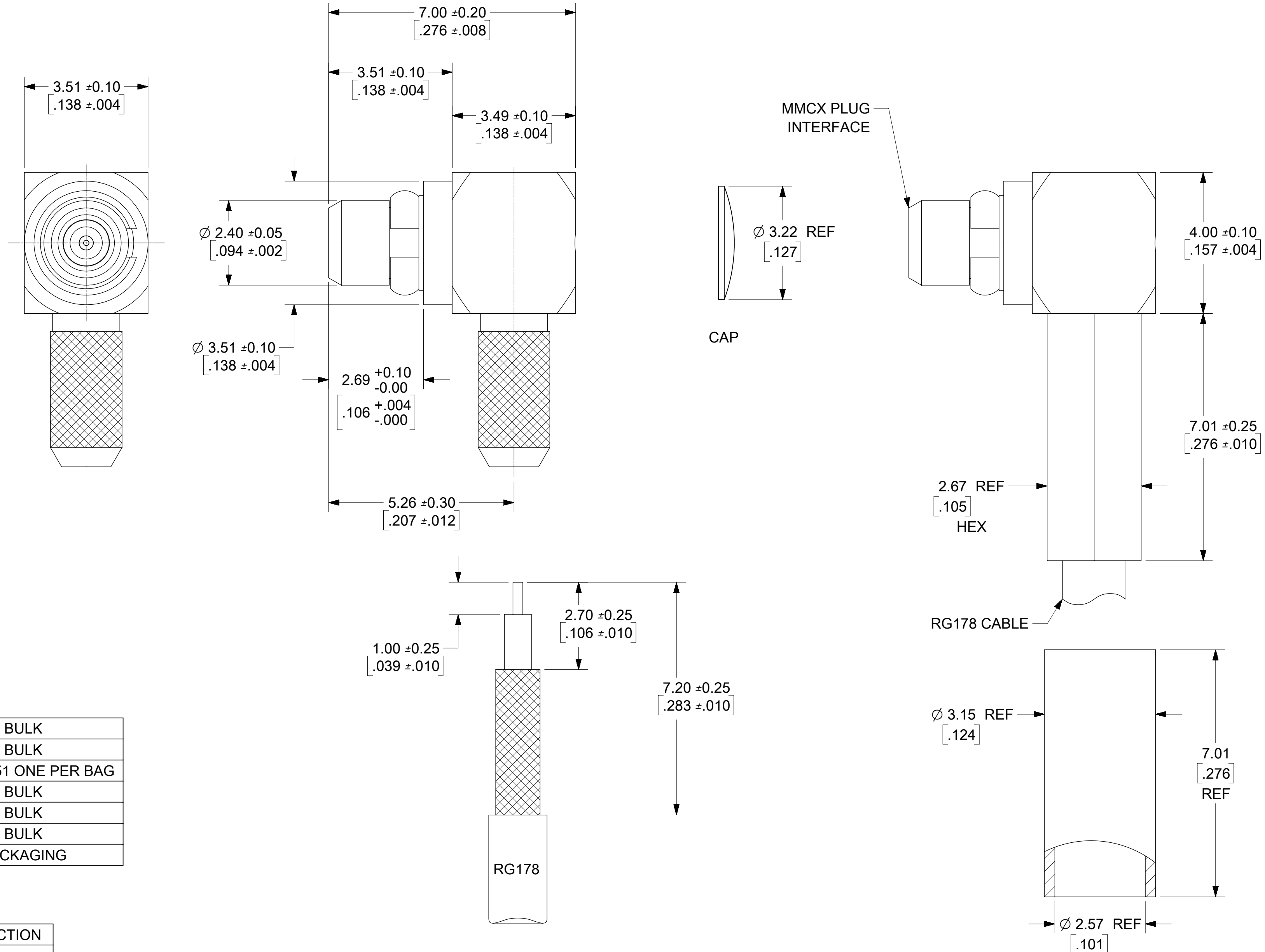
BODY, CONTACT ,CAP: BRASS
FINISH: GOLD OVER NICKEL(SEE TABLE)

SNAP RING: BERYLLIUM COPPER
FINISH: GOLD OVER NICKEL(SEE TABLE)

INSULATORS: PTFE

NOTE :

- 1) 73415-0955 IS FOR ENHANCED PERFORMANCE.
- 2) RG178 CABLE OR EQUIVALENT CRIMPING FORCE 6.5kgf MIN.



RECOMMENDED STRIP DIMENSIONS

73415-0955	COMMERCIAL	BULK
73415-0954	COMMERCIAL	BULK
73415-0953	COMMERCIAL	73415-0951 ONE PER BAG
73415-0952	NICKEL	BULK
73415-0951	COMMERCIAL	BULK
73415-0950	MILITARY	BULK
PART NO.	DESCRIPTION	PACKAGING

AS-89675-5070	CABLE ASSY INSTRUCTION
ES-73599-0000-015	INTERFACE
PS-89675-1920	ELECTRICAL/MECHANICAL
SPECIFICATION	DESCRIPTION

73415-0955	1 OVER 50	5 OVER 50	1 OVER 50	1 OVER 50	1 OVER 50
73415-0954	1 OVER 50	5 OVER 50	1 OVER 50	1 OVER 50	1 OVER 50
73415-0952	0 OVER 100	30 OVER 50	0 OVER 100	0 OVER 100	10 OVER 100
73415-0951	1 OVER 50	30 OVER 50	1 OVER 50	1 OVER 50	1 OVER 50
73415-0950	30 OVER 100	50 OVER 100	30 OVER 100	50 OVER 100	30 OVER NA
PART NO.	BODY (μ-in MIN)	CONTACT (μ-in MIN)	SNAP RING (μ-in MIN)	CAP (μ-in MIN)	CRIMP TUBE (μ-in MIN)
PLATING (GOLD OVER NICKEL)					

RELEASE STATUS P1 RELEASE DATE 13.09.2017 12:16:13

THIS DRAWING CONTAINS INFORMATION THAT IS PROPRIETARY TO MOLEX ELECTRONIC TECHNOLOGIES, LLC AND SHOULD NOT BE USED WITHOUT WRITTEN PERMISSION

QUALITY SYMBOLS	2017/07/14 2017/09/13 2017/09/13	GENERAL TOLERANCES (UNLESS SPECIFIED)	DIMENSION UNITS	SCALE
▽ = 0	SEE ECM	MM INCH	mm	
▽ = 0		4 PLACES ± ±	DRWN BY	DATE
▽ = 0		3 PLACES ± ± 0.01	YCHENG	2016/09/13
▽ = 0		2 PLACES ± 0.25 ±	CHK'D BY	DATE
▽ = 0		1 PLACES ± ±	BBHARADWAJD	2017/09/13
▽ = 0	0 PLACES ± ±	APPR BY	DATE	
▽ = 0		ANGULAR TOL = 2.0	YCHENG	2016/09/19
▽ = 0		DRAFT WHERE APPLICABLE MUST REMAIN WITHIN DIMENSIONS	DRIVING SIZE	THIRD ANGLE PROJECTION
▽ = 0			C	

**MMCX PLUG, 50 OHMS, R/A,
FOR RG178 CABLE, MMCX-P/RG178, EWR-11074**

PRODUCT CUSTOMER DRAWING

SERIES	MATERIAL NUMBER	CUSTOMER
73415	SEE TABLE	

DOCUMENT NUMBER	DOC TYPE	DOC PART	SHEET NUMBER
RSD-73415-095	PSD	001	1 OF 1

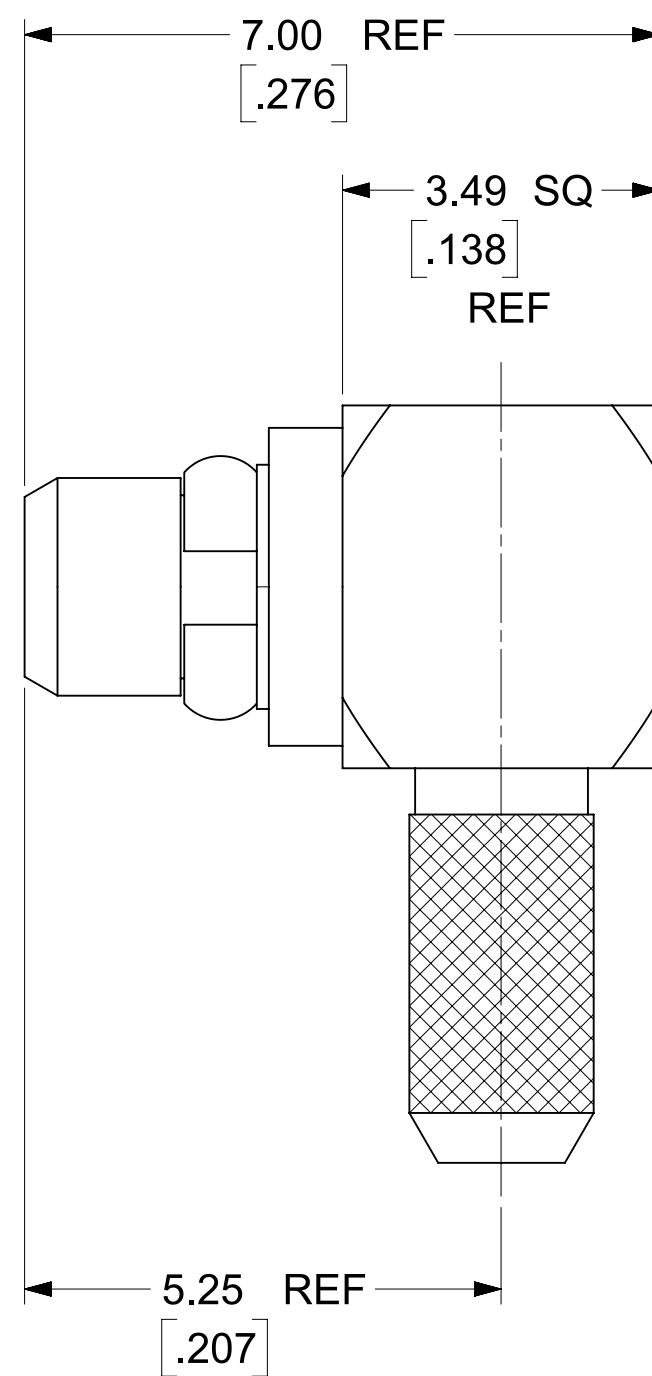
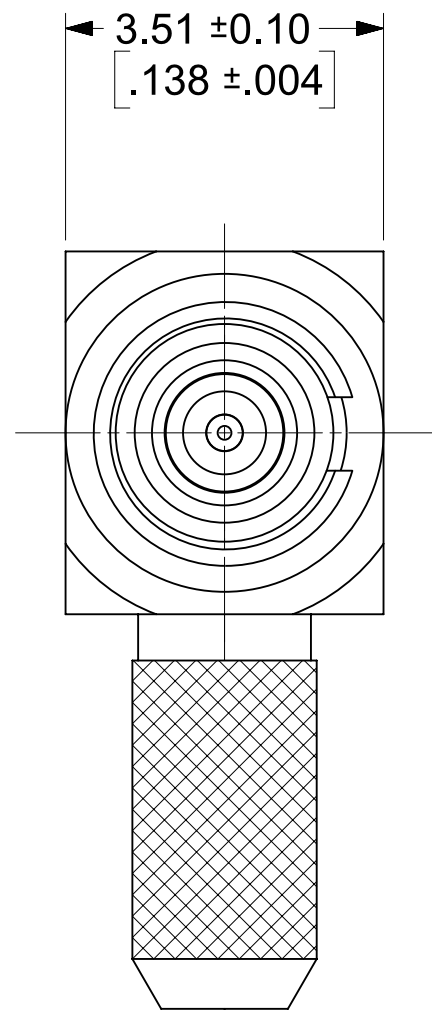
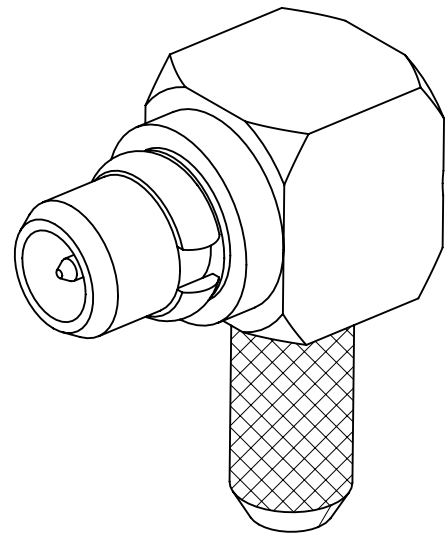
MATERIALS AND FINISHES:

BODY, CONTACT ,CAP, CRIMP TUBE: BRASS
FINISH: GOLD OVER NICKEL(SEE TABLE)

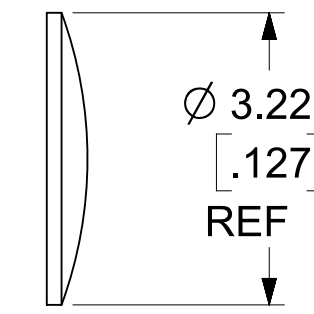
SNAP RING: BERYLLIUM COPPER
FINISH: GOLD OVER NICKEL(SEE TABLE)

INSULATORS: PTFE

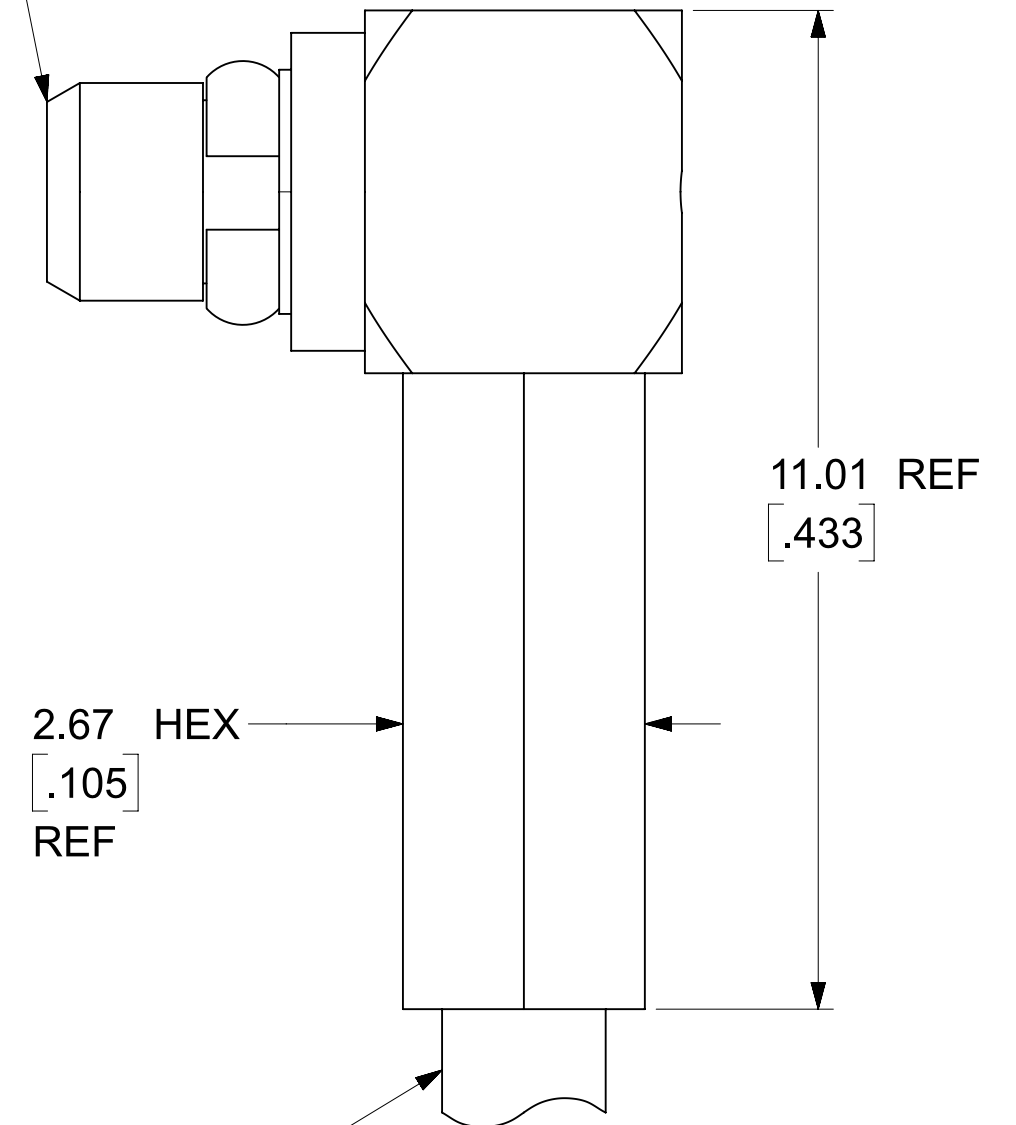
PACKING SPEC : SEE 734150950PKG DRAWING



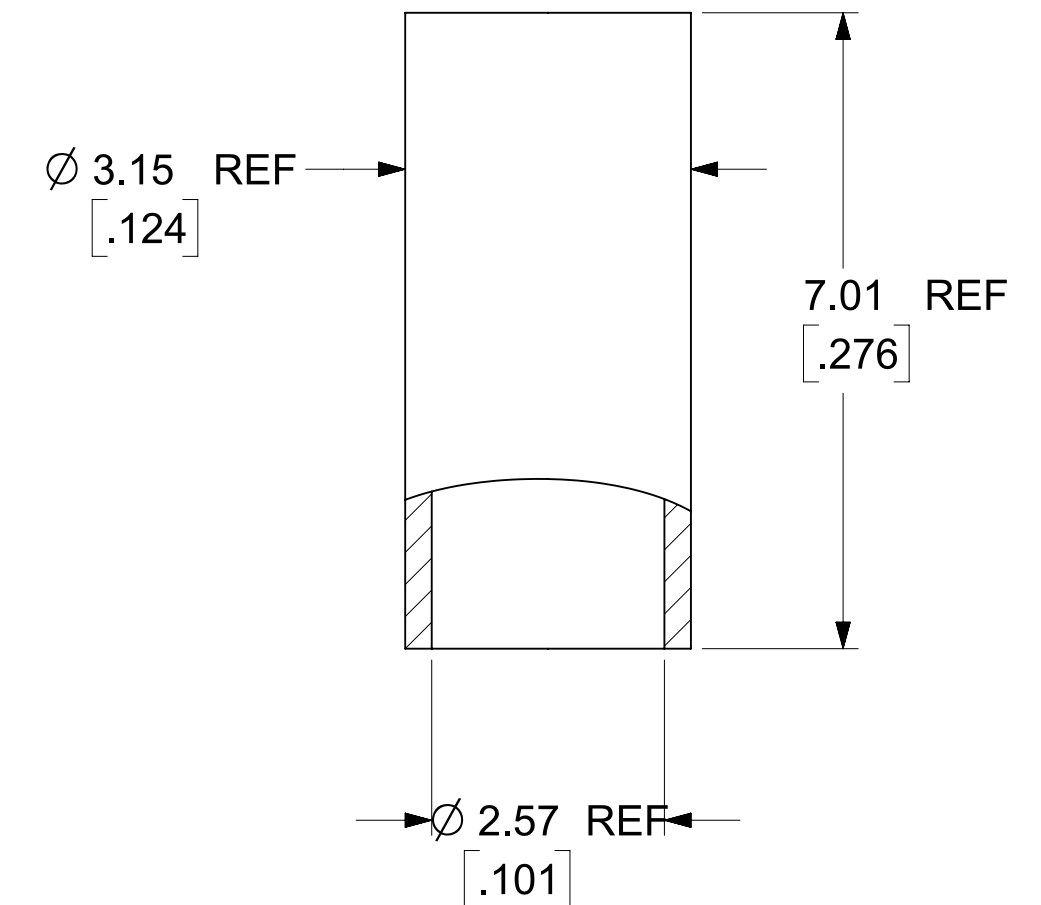
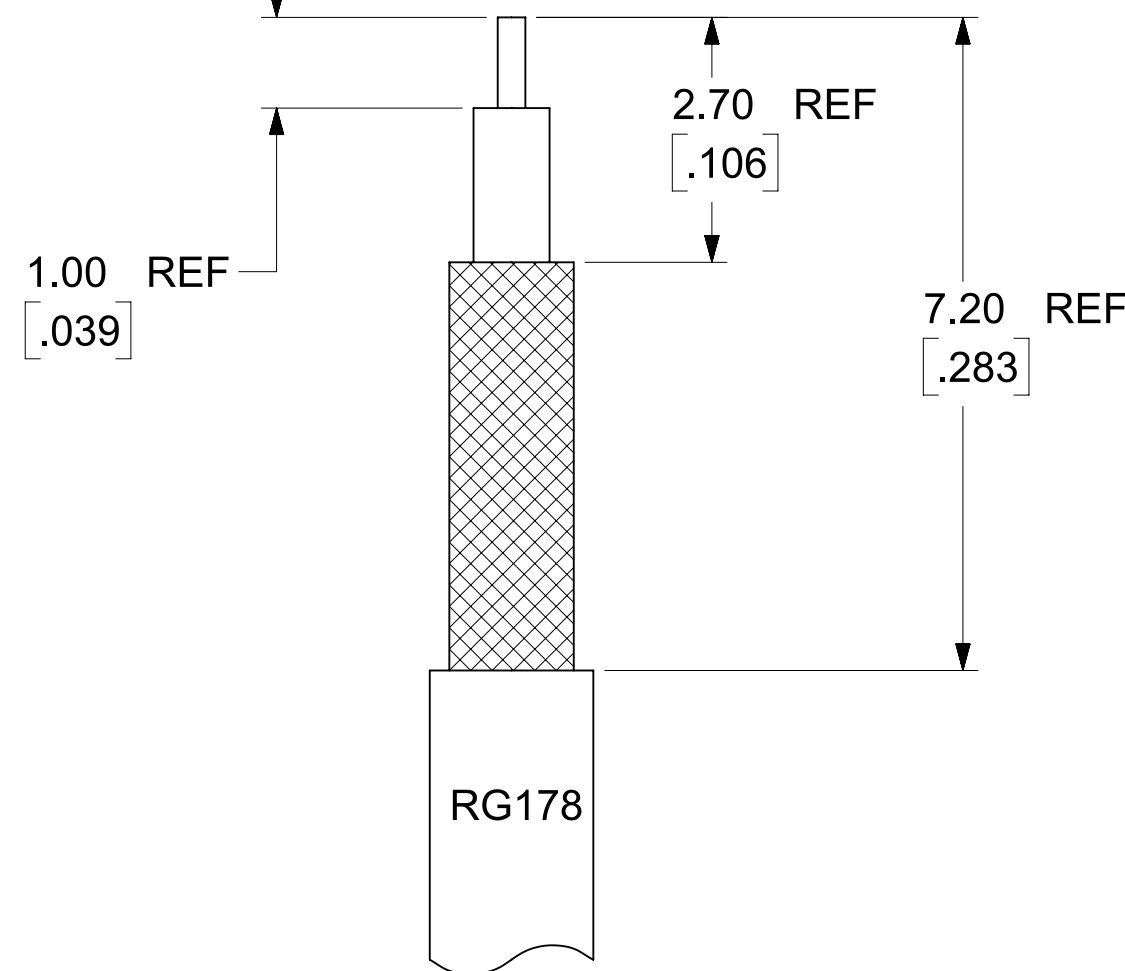
MMCX PLUG
INTERFACE



CAP



RG178 CABLE



RECOMMENDED STRIP DIMENSIONS

NOTE :

1) 73415-0955 IS FOR ENHANCED PERFORMANCE.

2) RG178 CABLE OR EQUIVALENT CRIMPING FORCE 6.5kgf MIN.

73415-0955	COMMERCIAL	BULK	POLYBAG	4000 PCS
73415-0954	COMMERCIAL	BULK		4000 PCS
73415-0953	COMMERCIAL	73415-0951 ONE PER BAG		500 PCS
73415-0952	NICKEL	BULK		4000 PCS
73415-0951	COMMERCIAL	BULK		4000 PCS
73415-0950	MILITARY	BULK		4000 PCS
PART NO.	DESCRIPTION	PACKAGING	PACKING TYPE	DU

AS-73597-0807	CABLE ASSY INSTRUCTION
IEC-61169-52	INTERFACE
PS-89675-1920	ELECTRICAL/MECHANICAL
SPECIFICATION	DESCRIPTION

73415-0955	1 OVER 50	5 OVER 50	1 OVER 50	1 OVER 50	1 OVER 50
73415-0954	1 OVER 50	5 OVER 50	1 OVER 50	1 OVER 50	1 OVER 50
73415-0952	0 OVER 100	30 OVER 50	0 OVER 100	0 OVER 100	10 OVER 100
73415-0951	1 OVER 50	30 OVER 50	1 OVER 50	1 OVER 50	1 OVER 50
73415-0950	30 OVER 100	50 OVER 100	30 OVER 100	50 OVER 100	30 OVER NA
PART NO.	BODY (μ-in MIN)	CONTACT (μ-in MIN)	SNAP RING (μ-in MIN)	CAP (μ-in MIN)	CRIMP TUBE (μ-in MIN)
PLATING (GOLD OVER NICKEL)					

FUNCTIONAL SYMBOLS FA = 0 EA = 0 EP = 0 DIVISIONAL SYMBOLS 4 PLACES ± 3 PLACES ± 2 PLACES ± 1 PLACE ± 0 PLACES ±	THIS DRAWING CONTAINS INFORMATION THAT IS PROPRIETARY TO MOLEX ELECTRONIC TECHNOLOGIES, LLC AND SHOULD NOT BE USED WITHOUT WRITTEN PERMISSION DIMENSION UNITS: mm/INCH SCALE: NTS CURRENT REV DESC: EWR-17344-A: UPDATE CABLE ASSEMBLY INSTRUCTION TO AS-73597-0807, ADDED PACKING SPEC / PACKING TYPE / PACKING DU GENERAL TOLERANCES (UNLESS SPECIFIED) ANGULAR TOL ± 0.5°					
	STATUS: Production DRWN: JasonYS Su CHK'D: Darry Cheng APPR: YCHENG				2025-07-24 2025-07-30 2025-07-30	
	DRAFT WHERE APPLICABLE MUST REMAIN WITHIN DIMENSIONS THIRD ANGLE PROJECTION		DRAWING: C-SIZE SERIES: 73415		PRODUCT CUSTOMER DRAWING DOCUMENT NUMBER: SD-73415-095 DOC TYPE: PSD DOC PART: 001 REVISION: D	
	MATERIAL NUMBER: GENERAL MARKET		CUSTOMER: GENERAL MARKET		SHEET NUMBER: 1 OF 1	