

177766-2 ✓ ACTIVE

ELECTRO-TAP

TE Internal #: 177766-2

Tap Splice, 24 – 22 AWG Wire Size, .2 – .4 mm² Wire Size, 404 – 643

CMA Wire Size, Phosphor Bronze, Natural, ELECTRO-TAP, Splices

[View on TE.com >](#)



Terminals & Splices > Splices



Splice Type: **Tap Splice**

Wire Size: **.2 – .4 mm²**

Sealable: **No**

Compatible Insulation Diameter Range: **4 mm [.157 in]**

Features

Housing Features

Housing Material	6/6 Nylon
------------------	-----------

Packaging Features

Packaging Quantity	500
Packaging Method	Bag

Body Features

Product Weight	.877 g
Primary Product Color	Natural

Contact Features

Terminal Plating Material	Tin
Contact Base Material	Phosphor Bronze

Dimensions

Tap Wire Size	.18 – .36 mm ²
Wire Size	404 – 643 CMA
Compatible Insulation Diameter Range	4 mm [.157 in]
Product Length	12 mm [.472 in]



Product Type Features

Splice Accessory Type	Tap Cover
Splice Type	Tap Splice
Sealable	No
Compatible With Discrete Wire Type	Solid, Stranded
Wire Insulation Support Retention Type	Insulation Support

Configuration Features

Compatible With Wire & Cable Type	Discrete Wire
-----------------------------------	---------------

Usage Conditions

Insulation Option	Fully Insulated
Operating Temperature Range	-20 – 85 °C[-4 – 185 °F]

Operation/Application

Compatible With Wire Base Material	Copper
------------------------------------	--------

Industry Standards

Government Qualified Splice	No
-----------------------------	----

Other

EU RoHS Compliance	Compliant
EU ELV Compliance	Compliant

Product Compliance

[For compliance documentation, visit the product page on TE.com>](#)

EU RoHS Directive 2011/65/EU	Compliant
EU ELV Directive 2000/53/EC	Compliant
China RoHS 2 Directive MIIT Order No 32, 2016	No Restricted Materials Above Threshold
EU REACH Regulation (EC) No. 1907/2006	Current ECHA Candidate List: JUNE 2024 (241) Candidate List Declared Against: JUNE 2024 (241) SVHC > Threshold: Melamine (3% in Component Part) Article Safe Usage Statements: Wash thoroughly after handling. Do not handle until all safety precautions have been read and understood. Recycle if possible and dispose of the article by following all applicable governmental regulations relevant to your geographic location.
Halogen Content	Low Halogen - Br, Cl, F, I < 900 ppm per homogenous material. Also BFR/CFR/PVC Free



Solder Process Capability

Not applicable for solder process capability

Product Compliance Disclaimer

This information is provided based on reasonable inquiry of our suppliers and represents our current actual knowledge based on the information they provided. This information is subject to change. The part numbers that TE has identified as EU RoHS compliant have a maximum concentration of 0.1% by weight in homogenous materials for lead, hexavalent chromium, mercury, PBB, PBDE, DBP, BBP, DEHP, DIBP, and 0.01% for cadmium, or qualify for an exemption to these limits as defined in the Annexes of Directive 2011/65/EU (RoHS2). Finished electrical and electronic equipment products will be CE marked as required by Directive 2011/65/EU. Components may not be CE marked. Additionally, the part numbers that TE has identified as EU ELV compliant have a maximum concentration of 0.1% by weight in homogenous materials for lead, hexavalent chromium, and mercury, and 0.01% for cadmium, or qualify for an exemption to these limits as defined in the Annexes of Directive 2000/53/EC (ELV). Regarding the REACH Regulation, the information TE provides on SVHC in articles for this part number is based on the latest European Chemicals Agency (ECHA) 'Guidance on requirements for substances in articles' posted at this URL: <https://echa.europa.eu/guidance-documents/guidance-on-reach>

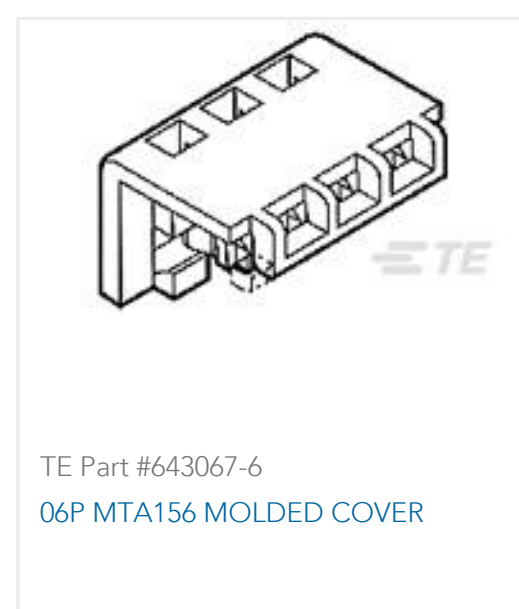
Compatible Parts

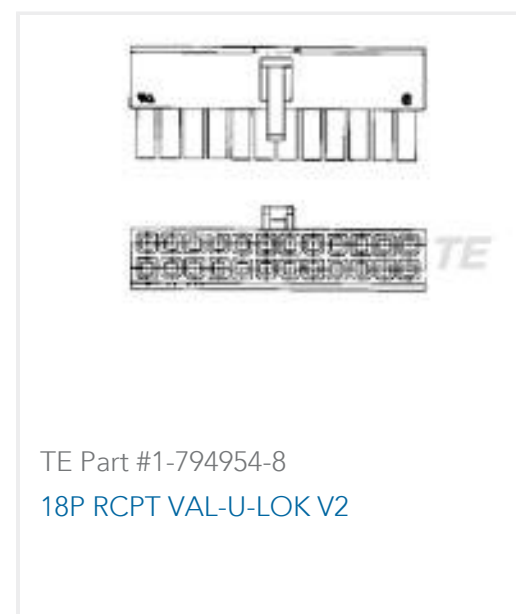
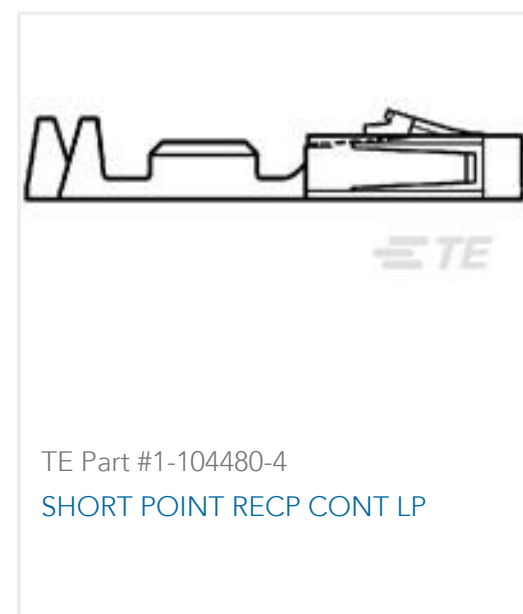
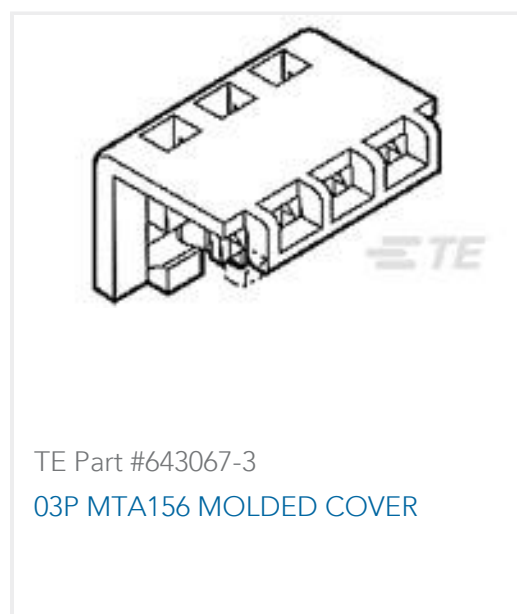


Also in the Series | ELECTRO-TAP



Customers Also Bought





Documents

Product Drawings

ELECTRO TAP ASSY, 24 - 22

English

CAD Files

3D PDF

English

Customer View Model

[ENG_CVM_177766-2_B.2d_dxf.zip](#)

English

Customer View Model

[ENG_CVM_177766-2_B.3d_igs.zip](#)

English

Customer View Model

[ENG_CVM_177766-2_B.3d_stp.zip](#)

English

By downloading the CAD file I accept and agree to the [Terms and Conditions](#) of use.

Datasheets & Catalog Pages

ELECTRO-TAP CABLE CONNECTOR/SPLICE

English

Product Specifications

Product Specification

English

[AMP ELECTRO-TAP* Splice \(AWG#22-#24\)](#)

English