



Europa

TE Internal #: 1776293-4

Wire-to-Wire, 4 Position, 8 mm [.315 in] Centerline, 1 Row,  
 Operating Voltage 250 V, 26 – 12 AWG Wire Size, .12 – 3.3 mm<sup>2</sup>  
 Wire Size, Barrier Strips

[View on TE.com >](#)

Connectors > Terminal Blocks & Strips > Barrier Strips



Connector System: **Wire-to-Wire**

Number of Positions: **4**

Centerline (Pitch): **8 mm [.315 in]**

Number of Rows: **1**

Operating Voltage: **250 V**

**Features**

**Product Type Features**

Connector System	Wire-to-Wire
Connector & Contact Terminates To	Wire & Cable
Block Style	None

**Configuration Features**

Number of Positions	4
Number of Rows	1
Number of Levels	1

**Housing Features**

Centerline (Pitch)	8 mm [.315 in]
Housing Material	Polyamide 6

**Electrical Characteristics**

Operating Voltage	250 V
-------------------	-------

**Dimensions**

--	--



Wire Size	.12 – 3.3 mm <sup>2</sup>
-----------	---------------------------

Product Length	30 mm
----------------	-------

### Contact Features

Contact Current Rating (Max)	30 A
------------------------------	------

Contact Base Material	Brass
-----------------------	-------

### Mechanical Attachment

Connector Mounting Type	Panel Mount
-------------------------	-------------

Mounting Options	2.8mm Diameter Mounting Holes
------------------	-------------------------------

Screw Plating Material	Zinc Chromate
------------------------	---------------

Screw Material	Steel
----------------	-------

Thread Size	M3
-------------	----

### Usage Conditions

Operating Temperature Range	-35 – 100 °C[-31 – 212 °F]
-----------------------------	----------------------------

### Other

EU RoHS Compliance	Compliant with Exemptions
--------------------	---------------------------

EU ELV Compliance	Compliant with Exemptions
-------------------	---------------------------

### Body Features

Quick Connect Tab Plating Material	Tin
------------------------------------	-----

Primary Product Color	Natural
-----------------------	---------

Product Orientation	Right Angle
---------------------	-------------

### Operation/Application

Circuit Application	Power
---------------------	-------

### Industry Standards

UL Flammability Rating	UL 94V-2
------------------------	----------

### Packaging Features

Packaging Method	Package
------------------	---------

Packaging Quantity	1
--------------------	---

### Product Compliance

For compliance documentation, visit the product page on [TE.com](https://www.te.com)>

EU RoHS Directive 2011/65/EU	Compliant with Exemptions
------------------------------	---------------------------

EU ELV Directive 2000/53/EC	Compliant with Exemptions
-----------------------------	---------------------------



China RoHS 2 Directive MIIT Order No 32, 2016	Restricted Materials Above Threshold
EU REACH Regulation (EC) No. 1907/2006	Current ECHA Candidate List: JUNE 2024 (241) Candidate List Declared Against: JUNE 2024 (241) SVHC > Threshold: Pb (1.8% in Component Part) <b>Article Safe Usage Statements:</b> Do not eat, drink or smoke when using this product. Wash thoroughly after handling. Recycle if possible and dispose of the article by following all applicable governmental regulations relevant to your geographic location.
Halogen Content	Low Halogen - Br, Cl, F, I < 900 ppm per homogenous material. Also BFR/CFR/PVC Free
Solder Process Capability	Not applicable for solder process capability

Product Compliance Disclaimer

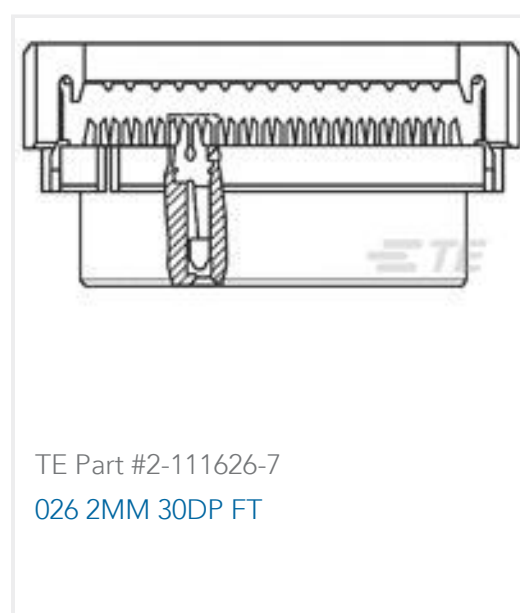
This information is provided based on reasonable inquiry of our suppliers and represents our current actual knowledge based on the information they provided. This information is subject to change. The part numbers that TE has identified as EU RoHS compliant have a maximum concentration of 0.1% by weight in homogenous materials for lead, hexavalent chromium, mercury, PBB, PBDE, DBP, BBP, DEHP, DIBP, and 0.01% for cadmium, or qualify for an exemption to these limits as defined in the Annexes of Directive 2011/65/EU (RoHS2). Finished electrical and electronic equipment products will be CE marked as required by Directive 2011/65/EU. Components may not be CE marked. Additionally, the part numbers that TE has identified as EU ELV compliant have a maximum concentration of 0.1% by weight in homogenous materials for lead, hexavalent chromium, and mercury, and 0.01% for cadmium, or qualify for an exemption to these limits as defined in the Annexes of Directive 2000/53/EC (ELV). Regarding the REACH Regulation, the information TE provides on SVHC in articles for this part number is based on the latest European Chemicals Agency (ECHA) 'Guidance on requirements for substances in articles' posted at this URL: <https://echa.europa.eu/guidance-documents/guidance-on-reach>

### Compatible Parts



### Customers Also Bought





## Documents

### Product Drawings

[TSB23004DS=EUROPA TERM BLK,8MM](#)

English

### CAD Files

#### 3D PDF

English

#### Customer View Model

[ENG\\_CVM\\_1776293-4\\_O1.2d\\_dxf.zip](#)

English

#### Customer View Model

[ENG\\_CVM\\_1776293-4\\_O1.3d\\_igs.zip](#)

English

#### Customer View Model

[ENG\\_CVM\\_1776293-4\\_O1.3d\\_stp.zip](#)

English

#### Customer View Model

[ENG\\_CVM\\_CVM\\_1776293-4\\_O.3d\\_igs.zip](#)

English

#### Customer View Model

[ENG\\_CVM\\_CVM\\_1776293-4\\_O.3d\\_stp.zip](#)

English

#### Customer View Model

[ENG\\_CVM\\_CVM\\_1776293-4\\_O.2d\\_dxf.zip](#)

English

#### 3D PDF

3D

By downloading the CAD file I accept and agree to the [Terms and Conditions](#) of use.

### Datasheets & Catalog Pages

[BUCHANAN TERMINAL BLOCKS CATALOG - EUROPA TERMINAL BLOCKS](#)

English

### Agency Approvals

[UL](#)

English

1776293-4

Wire-to-Wire, 4 Position, 8 mm [.315 in] Centerline, 1 Row, Operating Voltage 250 V,  
26 – 12 AWG Wire Size, .12 – 3.3 mm<sup>2</sup> Wire Size, Barrier Strips

