



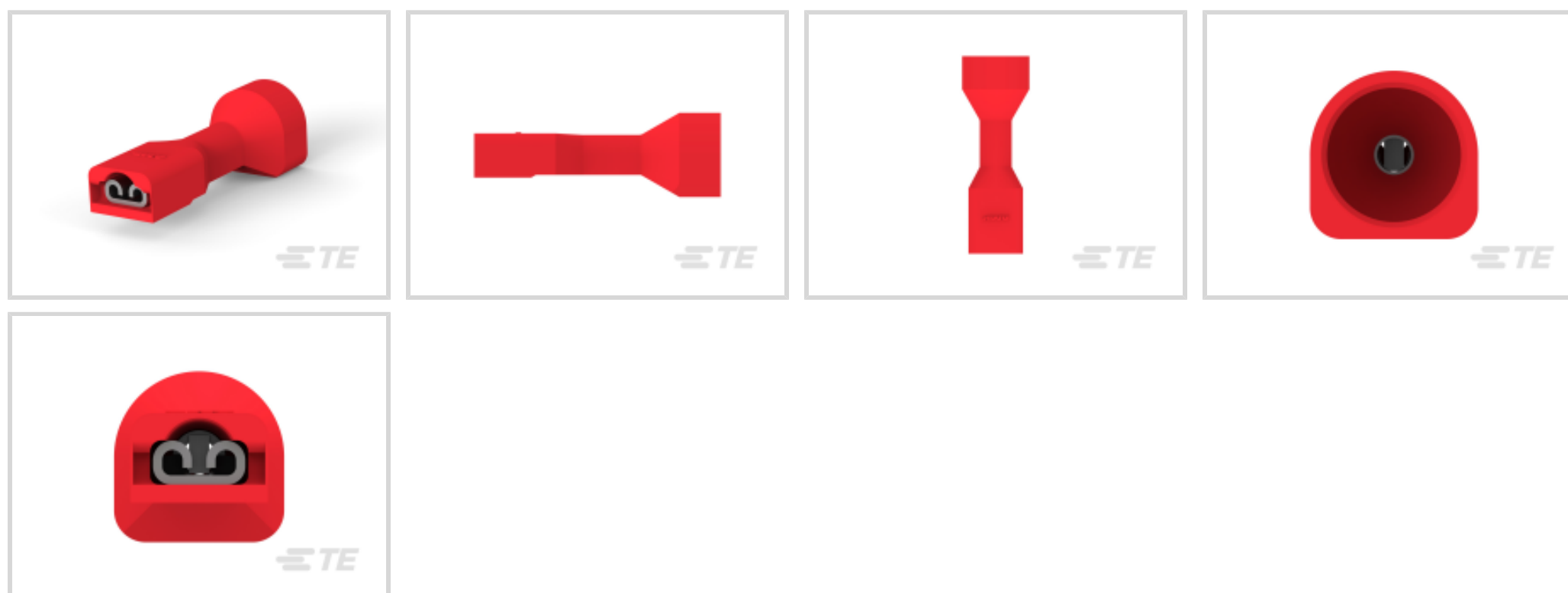
Ultra-Fast | Ultra-Fast 110

TE Internal #: 2-520306-2

Receptacle, 22 – 18 AWG Wire Size, .32 – .82 mm² Wire Size, Mating Tab Width 2.8 mm / 3.18 mm [.11 in / .125 in], Ultra-Fast 110, Quick Disconnects

[View on TE.com >](#)

Terminals & Splices > Quick Disconnects



Quick Disconnect Terminal Type: **Receptacle**

Wire Size: .32 – .82 mm²

Mating Tab Width: 3.18 mm, 2.8 mm [.11 in, .125 in]

Mating Tab Thickness: .51 mm [.02 in]

Features

Contact Features

Quick Disconnect Terminal Type	Receptacle
Mating Tab Width	3.18 mm, 2.8 mm [.11 in][.125 in]
Mating Tab Thickness	.51 mm [.02 in]
Terminal Orientation	Straight
Contact Base Material	Brass
Terminal Plating Material	Tin
Crimp Type	F-Crimp
Barrel Type	Closed

Dimensions

Wire Size	.32 – .82 mm ²
Product Length	22.01 mm [.865 in]
Compatible Insulation Diameter Range	5.84 mm [.23 in]
Terminal Material Thickness	.41 mm [.016 in]

Packaging Features

Packaging Method	Strip/Reel
------------------	------------



Packaging Quantity	2000
--------------------	------

Product Type Features

Insertion Force	Normal
Terminal Features	Wire Stop

Usage Conditions

Insulation Option	Fully Insulated
Operating Temperature Range	-40 – 110 °C[-40 – 230 °F]

Other

EU RoHS Compliance	Compliant
EU ELV Compliance	Compliant
Barrel Color	Red

Configuration Features

Compatible With Wire & Cable Type	Discrete Wire
Connection Capacity	Single

Electrical Characteristics

Voltage Rating	600 V
----------------	-------

Body Features

Insulation Material	Nylon
---------------------	-------

Termination Features

Product Terminates To	Wire & Cable
-----------------------	--------------

Mechanical Attachment

Wire Insulation Support	With
Mating Retention Type	Dimple

Industry Standards

Compatible With Agency/Standards Products	UL
UL Flammability Rating	UL 94V-2

Product Compliance

[For compliance documentation, visit the product page on TE.com>](#)

EU RoHS Directive 2011/65/EU	Compliant
EU ELV Directive 2000/53/EC	Compliant



China RoHS 2 Directive MIIT Order No 32, 2016	No Restricted Materials Above Threshold
EU REACH Regulation (EC) No. 1907/2006	Current ECHA Candidate List: JUNE 2024 (241) Candidate List Declared Against: JUNE 2024 (241) Does not contain REACH SVHC
Halogen Content	Low Halogen - Br, Cl, F, I < 900 ppm per homogenous material. Also BFR/CFR/PVC Free
Solder Process Capability	Not applicable for solder process capability

Product Compliance Disclaimer

This information is provided based on reasonable inquiry of our suppliers and represents our current actual knowledge based on the information they provided. This information is subject to change. The part numbers that TE has identified as EU RoHS compliant have a maximum concentration of 0.1% by weight in homogenous materials for lead, hexavalent chromium, mercury, PBB, PBDE, DBP, BBP, DEHP, DIBP, and 0.01% for cadmium, or qualify for an exemption to these limits as defined in the Annexes of Directive 2011/65/EU (RoHS2). Finished electrical and electronic equipment products will be CE marked as required by Directive 2011/65/EU. Components may not be CE marked. Additionally, the part numbers that TE has identified as EU ELV compliant have a maximum concentration of 0.1% by weight in homogenous materials for lead, hexavalent chromium, and mercury, and 0.01% for cadmium, or qualify for an exemption to these limits as defined in the Annexes of Directive 2000/53/EC (ELV). Regarding the REACH Regulation, the information TE provides on SVHC in articles for this part number is based on the latest European Chemicals Agency (ECHA) 'Guidance on requirements for substances in articles' posted at this URL: <https://echa.europa.eu/guidance-documents/guidance-on-reach>

Compatible Parts

TE Part # 58628-1
PROCIMP T&D 26-14 ULTRAFast

TE Part # 90390-3
DIES ULTRA-FAST FASTON 22-18 DIE SET

TE Part # 58628-2
PROCIMP DIESET 26-14 ULTRAFast

TE Part # 2151698-2
OCEAN_2.0_APPLICATOR-S-FA-176O-RSA

KIT
REPRESENTATION ONLY

TE Part # 7-2151698-7
OCEAN_2.0_SPARE_PART_KIT-176O

Also in the Series | Ultra-Fast 110



Quick Disconnects(14)

Customers Also Bought



TE Part #1-6609021-4
Single Phase Filters, Corcom B Series



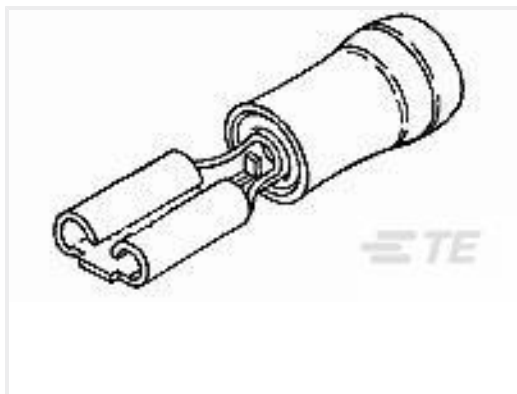
TE Part #3-2834074-2
2P PLUG, MINIATURE WATERPROOF CONN, RED



TE Part #53942-2
TERMINAL, PIDG R 16-14 10



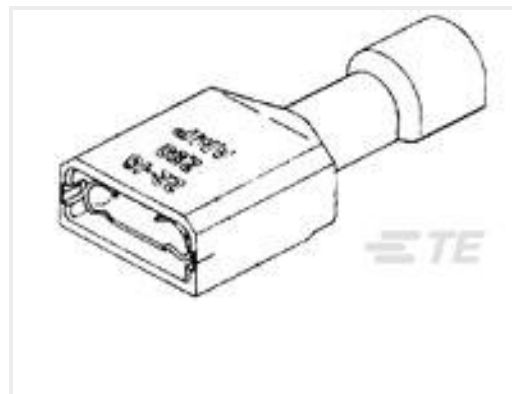
TE Part #208717-1
RECEPT ASSY, SZ 14, CMC



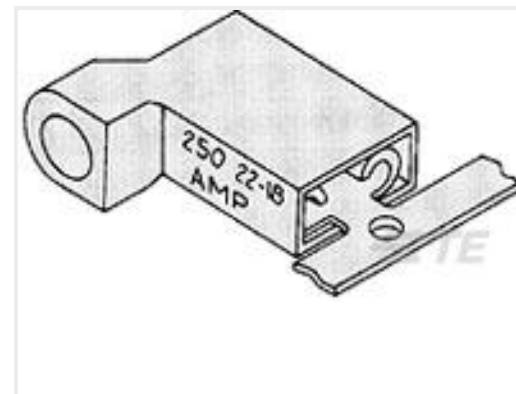
TE Part #61060-2
RECEPT, PIDG FASTON 22-18 110



TE Part #202236-7
III+PIN, SOLTAB, 30AU>10, LP, SN



TE Part #2-520263-4
ULTRA-FAST 250 ASY REC 22-18 TPBR



TE Part #3-520338-2
ULTRA-FAST 187 ASY REC 16-14 AWG TPBR



TE Part #ANT-916-PW-QW
Antenna 1/4 Wave Whip 916MHz
RG174

Documents

Product Drawings

[ULTRA-FAST .110/.125 ASY REC 22-18 TPBR](#)

English

CAD Files

[3D PDF](#)

3D

Customer View Model

[ENG_CVM_CVM_2-520306-2_J.2d_dxf.zip](#)



English

Customer View Model

[ENG_CVM_CVM_2-520306-2_J.3d_igs.zip](#)

English

Customer View Model

[ENG_CVM_CVM_2-520306-2_J.3d_stp.zip](#)

English

By downloading the CAD file I accept and agree to the [Terms and Conditions](#) of use.

Datasheets & Catalog Pages

[Ultra-Fast and Ultra Fast Plus](#)

English

Product Specifications

[Application Specification](#)

English

Agency Approvals

[Agency Approval Document](#)

English