

# DT13-08PC ✓ ACTIVE

DEUTSCH | DEUTSCH DT

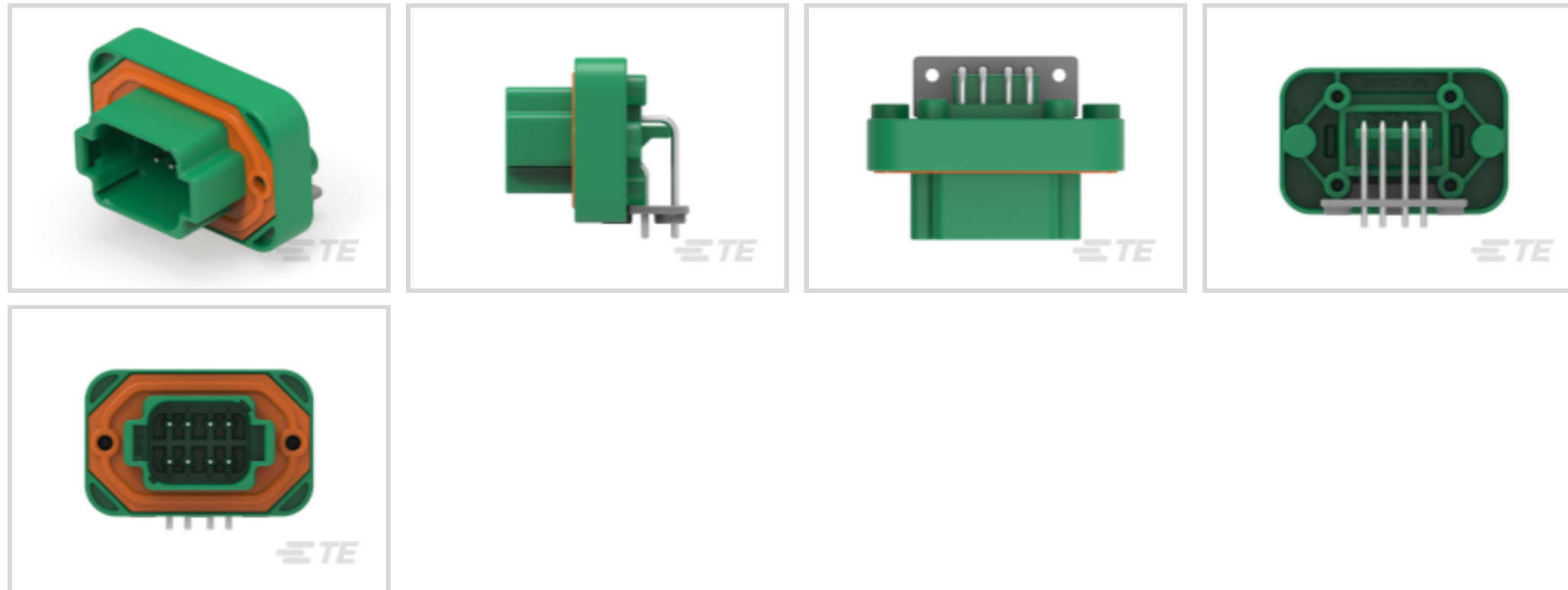
TE Internal #: DT13-08PC

PCB Mount Header, Right Angle, Wire-to-Board, 8 Position, 5.46 mm [.215 in] Centerline, Fully Shrouded, Nickel, Through Hole - Solder, Sealable

[View on TE.com >](#)



Connectors > PCB Connectors > PCB Headers & Receptacles > DEUTSCH DT Headers



EU RoHS Compliance: **Compliant**

EU ELV Compliance: **Compliant**

PCB Connector Assembly Type: **PCB Mount Header**

PCB Mount Orientation: **Right Angle**

Connector System: **Wire-to-Board**

[All DEUTSCH DT Headers \(72\)](#)

## Features

### Other

EU RoHS Compliance	Compliant
EU ELV Compliance	Compliant
Interface Number	DT04-08PC

### Product Type Features

Mixed & Hybrid Header	No
Connector Shape	Rectangular
PCB Connector Assembly Type	PCB Mount Header
Connector System	Wire-to-Board
Header Type	Fully Shrouded
Sealable	Yes
Connector & Contact Terminates To	Wire & Cable

### Configuration Features



Number of Signal Positions	8
Number of Sections	1
PCB Mount Orientation	Right Angle
Number of Positions	8
Number of Rows	2

### Electrical Characteristics

Operating Voltage	250 VDC
Voltage Rating (Max)	250 VDC
Nominal Voltage Architecture	24 V, 12 V

### Body Features

Connector & Keying Code	C
Primary Product Color	Green

### Contact Features

Mating Pin Diameter	1.59 mm [.063 in]
Contact Size	Size 16
PCB Contact Termination Area Plating Material	Tin
Contact Mating Area Plating Material	Nickel
Contact Type	Pin
Contact Current Rating (Max)	13 A

### Termination Features

Termination Method to PCB	Through Hole - Solder
---------------------------	-----------------------

### Mechanical Attachment

Panel Mount Feature	With
Mating Retention Type	Locking Interface
Mounting Holes	With
Mating Retention	With
Mating Alignment Type	Keyed
PCB Mount Retention Type	Mounting Screw
PCB Mount Retention	With
PCB Mount Alignment	Without
Connector Mounting Type	Board Mount
Mating Alignment	With



### Housing Features

Centerline (Pitch)	5.46 mm [.215 in]
--------------------	-------------------

### Dimensions

Connector Width	55.12 mm [2.17 in]
PCB Thickness (Recommended)	.78 – 2.36 mm [.031 – .093 in]
Profile Height from PCB	35.48 mm [1.397 in]
Connector Length	39.24 mm [1.545 in]

### Usage Conditions

Operating Temperature (Max)	125 °C [257 °F]
Operating Temperature Range	-55 – 125 °C [-67 – 257 °F]

### Operation/Application

Shielded	No
Circuit Application	Power & Signal

### Industry Standards

IP Rating	Not Tested
UL Rating	Recognized
UL Flammability Rating	UL 94V-0

### Packaging Features

Packaging Quantity	125
Packaging Method	Box

### Product Compliance

[For compliance documentation, visit the product page on TE.com>](#)

EU RoHS Directive 2011/65/EU	Compliant
EU ELV Directive 2000/53/EC	Compliant
China RoHS 2 Directive MIIT Order No 32, 2016	No Restricted Materials Above Threshold
EU REACH Regulation (EC) No. 1907/2006	Current ECHA Candidate List: JUNE 2024 (241) Candidate List Declared Against: JUNE 2024 (241) SVHC > Threshold: Octamethylcyclotetrasiloxane (D4) (.5% in Component Part) Dodecamethylcyclohexasiloxane (D6) (.5% in Component Part)

## Decamethylcyclopentasiloxane (D5) (.5% in Component Part)

## Article Safe Usage Statements:

Wash thoroughly after handling. Recycle if possible and dispose of the article by following all applicable governmental regulations relevant to your geographic location.

## Halogen Content

Not Low Halogen - contains Br or Cl > 900 ppm.

## Solder Process Capability

Not reviewed for solder process capability

## Product Compliance Disclaimer

This information is provided based on reasonable inquiry of our suppliers and represents our current actual knowledge based on the information they provided. This information is subject to change. The part numbers that TE has identified as EU RoHS compliant have a maximum concentration of 0.1% by weight in homogenous materials for lead, hexavalent chromium, mercury, PBB, PBDE, DBP, BBP, DEHP, DIBP, and 0.01% for cadmium, or qualify for an exemption to these limits as defined in the Annexes of Directive 2011/65/EU (RoHS2). Finished electrical and electronic equipment products will be CE marked as required by Directive 2011/65/EU. Components may not be CE marked. Additionally, the part numbers that TE has identified as EU ELV compliant have a maximum concentration of 0.1% by weight in homogenous materials for lead, hexavalent chromium, and mercury, and 0.01% for cadmium, or qualify for an exemption to these limits as defined in the Annexes of Directive 2000/53/EC (ELV). Regarding the REACH Regulation, the information TE provides on SVHC in articles for this part number is based on the latest European Chemicals Agency (ECHA) 'Guidance on requirements for substances in articles' posted at this URL: <https://echa.europa.eu/guidance-documents/guidance-on-reach>

## Compatible Parts



TE Part # DT06-08SC-CE01  
PLG, 8P, GRN, E, CAP, C



TE Part # DT06-08SC-CE05  
PLG, 8P, GRN, E, SEAL RET, CAP, C



TE Part # DT06-08SC-EP06  
PLG, 8P, GRN, N, SEAL RET, CAP, C



TE Part # DT06-08SC-C015  
PLG, 8P, GRN, E, C



TE Part # DT06-08SC  
PLG, 8P, GRN, N, C



TE Part # DT06-08SC-P012  
PLG, 8P, GRN, N, SEAL RET, C

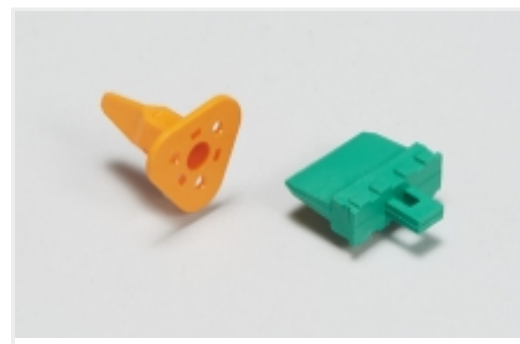


TE Part # CAT-D487-CH8172  
DEUTSCH DT Series Housings & Connectors

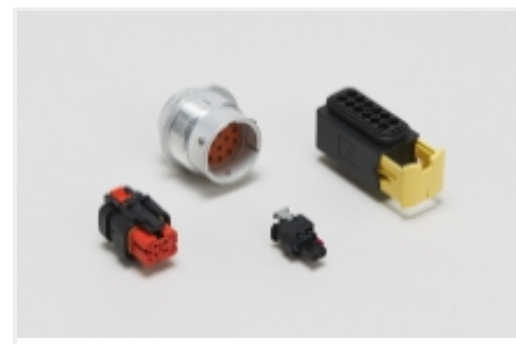
Also in the Series | **DEUTSCH DT**



Automotive Connector Caps & Covers (19)



Automotive Connector Locks & Position Assurance (90)



Automotive Housings (737)



Connector Backshells (67)



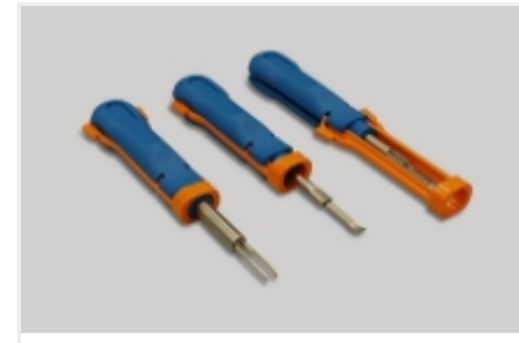
Connector Caps & Covers (1)



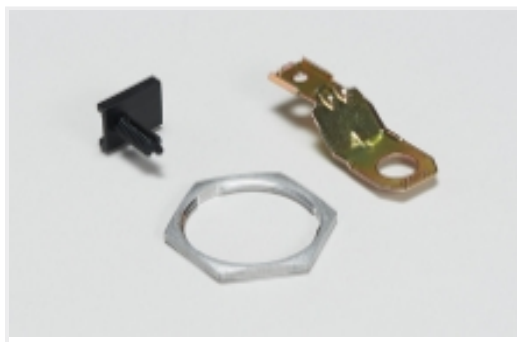
Connector Seals & Cavity Plugs (18)



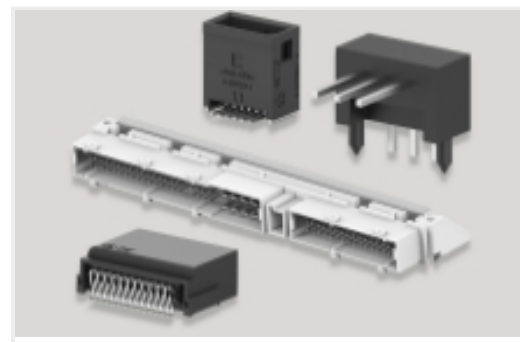
Connector Strain Relief (31)



Insertion & Extraction Tools (3)



Other Automotive Connector Accessories (28)



PCB Headers & Receptacles (107)



Rectangular Connector Housings (1)

## Customers Also Bought



TE Part #DT13-08PB  
DEUTSCH DT Headers



TE Part #5380598-3  
RCR SN-SPR SN-CUP 018-040



TE Part #5787745-4  
USB A R/A STAK ASSY THRU HOLE



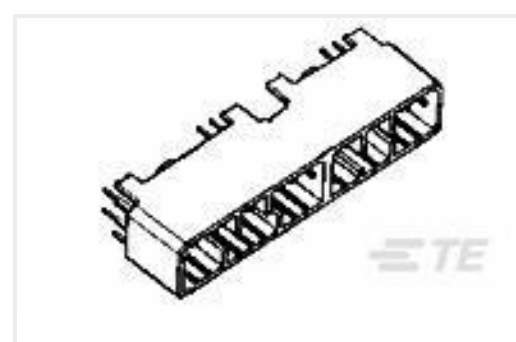
TE Part #1241152-4  
4P HV100 REC. CON, SMD, GOLD, BLISTER



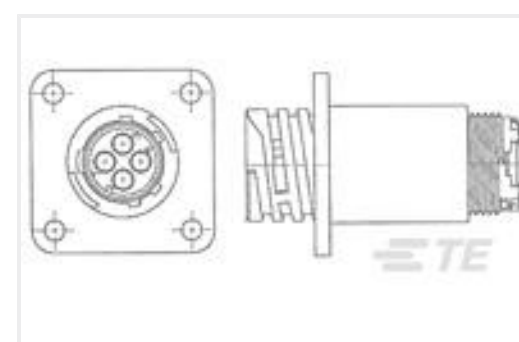
TE Part #5406295-1  
MJ ASSY,S/P,8POS,SH,RVPGT,CAT4



TE Part #DRC13-24PA  
HDR, 24P, BLK, RA, 1032 FLG, SN/NI /CU, A



TE Part #1-174961-1  
070 MLC CAP ASSY V 30P



TE Part #796286-1  
RCPT.ASSY,23-37STD SEX SQ.FLNG



## Documents

### Product Drawings

[HDR, 8P, GRN, RA, NI/CU, C](#)

English

### CAD Files

Customer View Model

[ENG\\_CVM\\_CVM\\_DT13-08PC\\_99.2d\\_dxf.zip](#)

English

[3D PDF](#)

3D

Customer View Model

[ENG\\_CVM\\_CVM\\_DT13-08PC\\_99.3d\\_igs.zip](#)

English

Customer View Model

[ENG\\_CVM\\_CVM\\_DT13-08PC\\_99.3d\\_stp.zip](#)

English

By downloading the CAD file I accept and agree to the [Terms and Conditions](#) of use.

### Datasheets & Catalog Pages

[TERMINALS AND CONNECTORS](#)

English

[CONNECTOR SELECTOR](#)

English

### Product Specifications

[Application Specification](#)

English

### Agency Approvals

[UL Report](#)

English