

174053-2 ✓ ACTIVE

AMP | Multilock Connector System

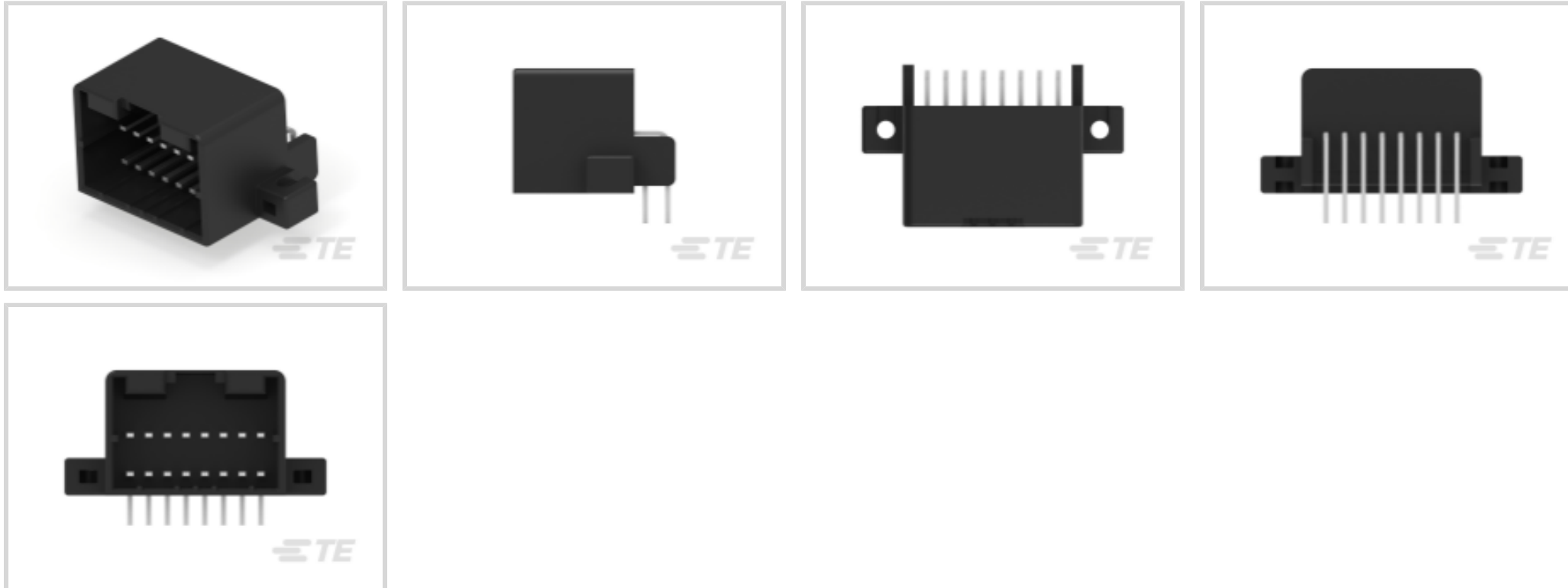
TE Internal #: 174053-2

PCB Mount Header, Horizontal, Wire-to-Board, 16 Position, 2.5 mm
[.098 in] Centerline, Fully Shrouded, Tin, Multilock Connector
System

[View on TE.com >](#)



Connectors > PCB Connectors > PCB Headers & Receptacles > Signal Header



EU RoHS Compliance: **Compliant**

EU ELV Compliance: **Compliant**

PCB Connector Assembly Type: **PCB Mount Header**

PCB Mount Orientation: **Horizontal**

Connector System: **Wire-to-Board**

[All Signal Header \(280\)](#)

Features

Other

EU RoHS Compliance	Compliant
EU ELV Compliance	Compliant
Interface Number	174046

Product Type Features

Mixed & Hybrid Header	No
Connector Shape	Rectangular
PCB Connector Assembly Type	PCB Mount Header
Connector System	Wire-to-Board
Header Type	Fully Shrouded
Sealable	No
Connector & Contact Terminates To	Printed Circuit Board

Configuration Features



Number of Signal Positions	16
Number of Sections	1
PCB Mount Orientation	Horizontal
Number of Positions	16
Number of Rows	2

Electrical Characteristics

Operating Voltage	12 VDC
Voltage Rating (Max)	12 VDC
Nominal Voltage Architecture	12 V

Body Features

Primary Product Color	Black
-----------------------	-------

Contact Features

Contact Size	1mm
Mating Tab Width	1 mm [.039 in]
Mating Tab Thickness	.64 mm [.025 in]
Contact Mating Area Plating Material	Tin
Contact Type	Tab

Termination Features

Termination Method to PCB	Through Hole - Solder
---------------------------	-----------------------

Mechanical Attachment

Panel Mount Feature	Without
Mating Retention Type	Locking Interface
Mounting Holes	With
Mating Retention	With
PCB Mount Retention	Without
PCB Mount Alignment	Without
Mating Alignment	With

Housing Features

Centerline (Pitch)	2.5 mm [.098 in]
--------------------	------------------

Dimensions

Connector Width	35 mm [1.378 in]
PCB Thickness (Recommended)	1.6 mm [.063 in]



Profile Height from PCB	16.7 mm[.657 in]
-------------------------	------------------

Connector Length	21.7 mm[.854 in]
------------------	------------------

Usage Conditions

Operating Temperature (Max)	80 °C, 105 °C, 100 °C, 90 °C, 65 °C, 85 °C, 75 °C, 70 °C[221 °F][158 °F][167 °F][176 °F] [194 °F][185 °F][212 °F][149 °F]
-----------------------------	---

Operating Temperature Range	-30 – 105 °C[-22 – 221 °F]
-----------------------------	----------------------------

Operation/Application

Shielded	No
----------	----

Circuit Application	Signal
---------------------	--------

Packaging Features

Packaging Quantity	95
--------------------	----

Packaging Method	Tube
------------------	------

Product Compliance

[For compliance documentation, visit the product page on TE.com>](#)

EU RoHS Directive 2011/65/EU	Compliant
------------------------------	-----------

EU ELV Directive 2000/53/EC	Compliant
-----------------------------	-----------

China RoHS 2 Directive MIIT Order No 32, 2016	No Restricted Materials Above Threshold
---	---

EU REACH Regulation (EC) No. 1907/2006	Current ECHA Candidate List: JUNE 2024 (241) Candidate List Declared Against: JUNE 2024 (241) Does not contain REACH SVHC
--	---

Halogen Content	Low Halogen - Br, Cl, F, I < 900 ppm per homogenous material. Also BFR/CFR/PVC Free
-----------------	---

Solder Process Capability	Not lead free process capable
---------------------------	-------------------------------

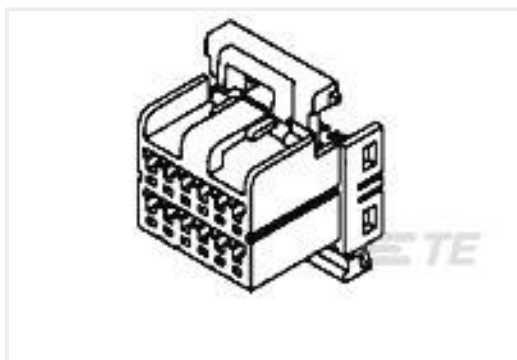
Product Compliance Disclaimer

This information is provided based on reasonable inquiry of our suppliers and represents our current actual knowledge based on the information they provided. This information is subject to change. The part numbers that TE has identified as EU RoHS compliant have a maximum concentration of 0.1% by weight in homogenous materials for lead, hexavalent chromium, mercury, PBB, PBDE, DBP, BBP, DEHP, DIBP, and 0.01% for cadmium, or qualify for an exemption to these limits as defined in the Annexes of Directive 2011/65/EU (RoHS2). Finished electrical and electronic equipment products will be CE marked as required by Directive 2011/65/EU. Components may not be CE marked. Additionally, the part numbers that TE has identified as EU ELV compliant have a maximum concentration of 0.1% by weight in homogenous materials for lead, hexavalent chromium, and mercury, and 0.01% for cadmium, or qualify for an exemption to these limits as defined in the Annexes of Directive 2000/53/EC (ELV). Regarding the REACH Regulation, the information TE provides on SVHC in articles for this part number is based on the latest European Chemicals Agency (ECHA) 'Guidance on requirements for substances in articles' posted at this URL: <https://echa.europa.eu/guidance-documents/guidance-on-reach>

Compatible Parts



TE Part # CAT-M9194-CH8172
MULTILOCK, CONNECTOR HOUSING



TE Part # 174046-4
040 MLC PLUG HSG 16P GREEN

Also in the Series | Multilock Connector System



Automotive Connector Caps & Covers (6)



Automotive Housings(165)



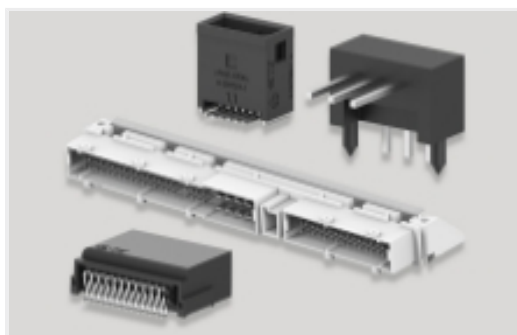
Automotive Terminals(84)



Insertion & Extraction Tools(6)



Other Automotive Connector Accessories(4)



PCB Headers & Receptacles(88)

Customers Also Bought



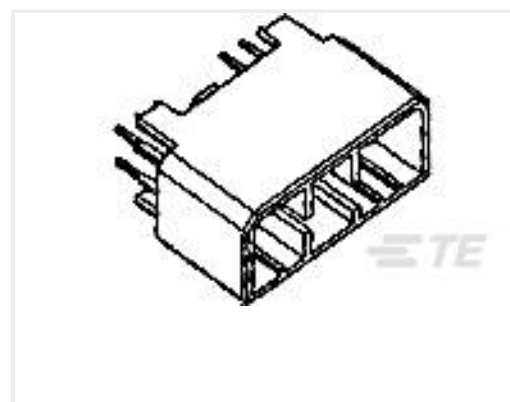
TE Part #1747994-1
DYNAMIC 2000 HDR ASSY



TE Part #936121-1
MQS, CONNECTOR HOUSING



TE Part #175783-2
Signal Header



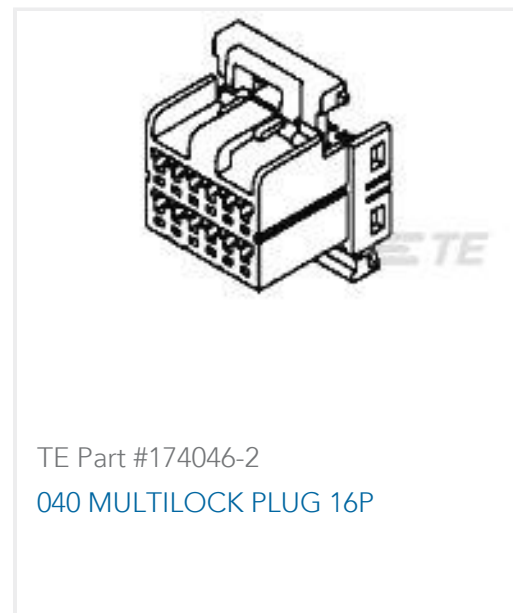
TE Part #1-174960-1
070 MLC CAP ASSY V 20P



TE Part #6318745-3
025 32 Pos Cap Assy H Au



TE Part #1473193-5
025/040 CAP HSG ASSY 70P



TE Part #174046-2
040 MULTILOCK PLUG 16P

Documents

Product Drawings

040 MULTILOCK I/O CONN 16PASSY

Japanese

CAD Files

3D PDF

3D

Customer View Model

[ENG_CVM_CVM_174053-2_K.2d_dxf.zip](#)

English

Customer View Model

[ENG_CVM_CVM_174053-2_K.3d_igs.zip](#)

English

Customer View Model

[ENG_CVM_CVM_174053-2_K.3d_stp.zip](#)

English

Customer View Model

[ENG_CVM_174053-2_H1.3d_igs.zip](#)

English

Customer View Model

[ENG_CVM_174053-2_H1.3d_stp.zip](#)

English

Customer View Model

[ENG_CVM_174053-2_H1.2d_dxf.zip](#)

English

3D PDF

3D

By downloading the CAD file I accept and agree to the [Terms and Conditions](#) of use.

Product Specifications

Product Specification

Japanese

Product Specification

Japanese



Instruction Sheets

Instruction Sheet (non U.S.)

English

040 SERIES MULTI-LOCK CONNECTOR

English