



Connectors > PCB Connectors > Wire-to-Board Connectors > Wire-to-Board Connector Assemblies & Housings

Connector Product Type: **Housing**

Connector & Housing Type: **Receptacle**

Connector System: **Wire-to-Board**

Number of Positions: **10**

Centerline (Pitch): **2.54 mm [.1 in]**

Features

Dimensions

	4.99 in
Row-to-Row Spacing	2.54 mm [.1 in]

Product Type Features

Connector Product Type	Housing
Connector & Housing Type	Receptacle
Connector System	Wire-to-Board
Connector & Contact Terminates To	Wire & Cable

Configuration Features

Number of Positions	10
Number of Rows	1

Housing Features

Centerline (Pitch)	2.54 mm [.1 in]
Housing Material	Polyamide
Housing Entry Configuration	Both Ends Closed

Termination Features

Termination Method to Wire & Cable	Crimp
------------------------------------	-------

Body Features

Primary Product Color	Green
-----------------------	-------

Mechanical Attachment



Mating Retention	Without
Connector Mounting Type	Cable Mount (Free-Hanging)
Strain Relief	Without

Contact Features

Contact Current Rating (Max)	3 A
Contact Layout	Inline
Contact Type	Socket

Operation/Application

Circuit Application	Signal
---------------------	--------

Usage Conditions

Operating Temperature Range	-65 – 105 °C[-85 – 221 °F]
-----------------------------	----------------------------

Other

EU RoHS Compliance	Compliant
EU ELV Compliance	Compliant

Electrical Characteristics

Operating Voltage	250 VAC
-------------------	---------

Industry Standards

UL Flammability Rating	UL 94V-0
Glow Wire Rating	Standard Part - Not Glow Wire

Packaging Features

Packaging Method	Carton
Packaging Quantity	1000

Product Compliance

[For compliance documentation, visit the product page on TE.com>](#)

EU RoHS Directive 2011/65/EU	Compliant
EU ELV Directive 2000/53/EC	Compliant
China RoHS 2 Directive MIIT Order No 32, 2016	No Restricted Materials Above Threshold
EU REACH Regulation (EC) No. 1907/2006	Current ECHA Candidate List: JUNE 2024 (241) Candidate List Declared Against: JUNE 2024 (241) Does not contain REACH SVHC

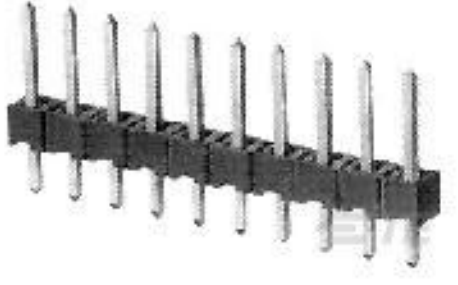
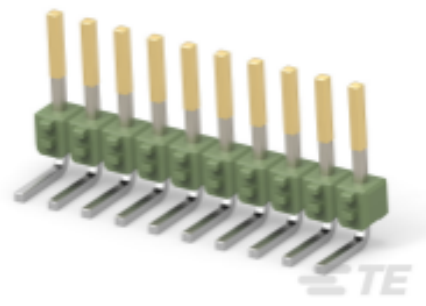
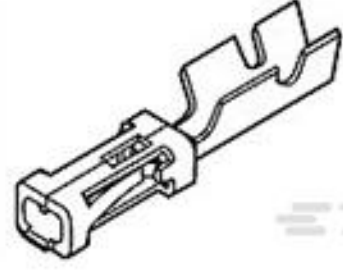
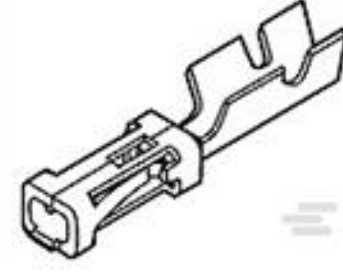

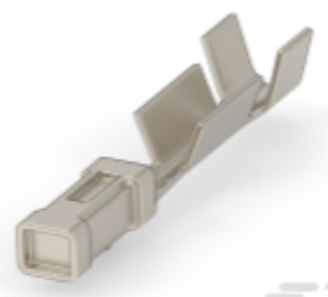
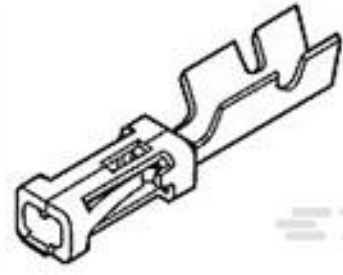

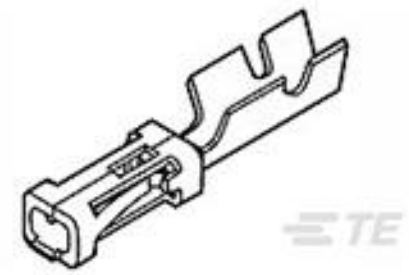
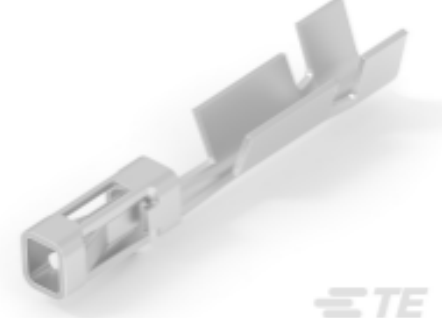

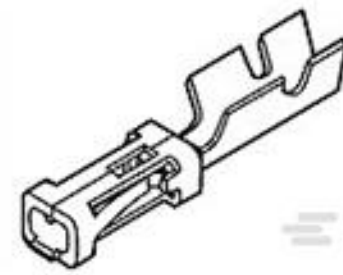
Halogen Content BFR/CFR/PVC Free, but Br/Cl >900 ppm in other sources.

Solder Process Capability Not applicable for solder process capability

Product Compliance Disclaimer

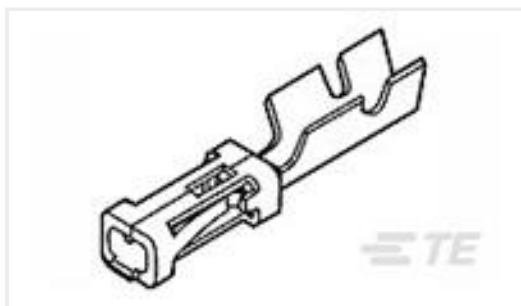
This information is provided based on reasonable inquiry of our suppliers and represents our current actual knowledge based on the information they provided. This information is subject to change. The part numbers that TE has identified as EU RoHS compliant have a maximum concentration of 0.1% by weight in homogenous materials for lead, hexavalent chromium, mercury, PBB, PBDE, DBP, BBP, DEHP, DIBP, and 0.01% for cadmium, or qualify for an exemption to these limits as defined in the Annexes of Directive 2011/65/EU (RoHS2). Finished electrical and electronic equipment products will be CE marked as required by Directive 2011/65/EU. Components may not be CE marked. Additionally, the part numbers that TE has identified as EU ELV compliant have a maximum concentration of 0.1% by weight in homogenous materials for lead, hexavalent chromium, and mercury, and 0.01% for cadmium, or qualify for an exemption to these limits as defined in the Annexes of Directive 2000/53/EC (ELV). Regarding the REACH Regulation, the information TE provides on SVHC in articles for this part number is based on the latest European Chemicals Agency (ECHA) 'Guidance on requirements for substances in articles' posted at this URL: <https://echa.europa.eu/guidance-documents/guidance-on-reach>

Compatible Parts

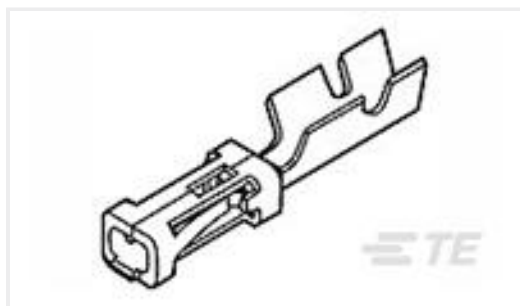
 <p>TE Part # 1-826629-0 10P AMPMODU II STIFT LEI</p>	 <p>TE Part # 1-826631-0 AMPMODU II R/A DR HEADER</p>	 <p>TE Part # 141603-4 MOD-4 REC.CONTACT</p>	 <p>TE Part # 1-141708-1 MOD IV RECEPTACLE, CRIMP SNAP IN, LP</p>
 <p>TE Part # 926519-2 KEYING PLUG</p>	 <p>TE Part # 141708-1 MOD-4 REC.CONT.SCP.</p>	 <p>TE Part # 167021-2 MOD-4 REC.CONT.SCP.</p>	 <p>TE Part # 167301-4 MOD-4 REC.CONT.SCP.</p>
 <p>TE Part # 2-167301-4 MOD-4 REC.CONT.SCP.</p>	 <p>TE Part # 2-167301-2 MOD-4 REC.CONT.SCP.</p>	 <p>TE Part # 166309-2 MOD-5 REC.CONTACT</p>	 <p>TE Part # 167024-1 MOD-4 REC.CONT.SCP.</p>



TE Part # 1-1241150-0
10P MOD II BREAK AWAY HDR,SMD,
BLISTER



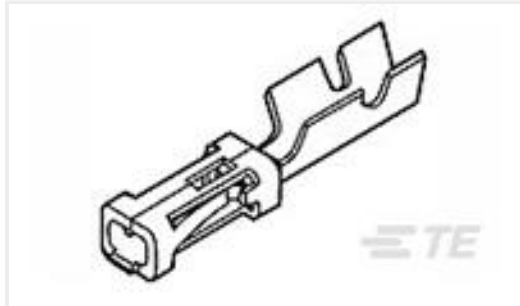
TE Part # 167023-1
MOD-4 REC.CONTACT



TE Part # 166310-2
MOD-5 REC.CONTACT



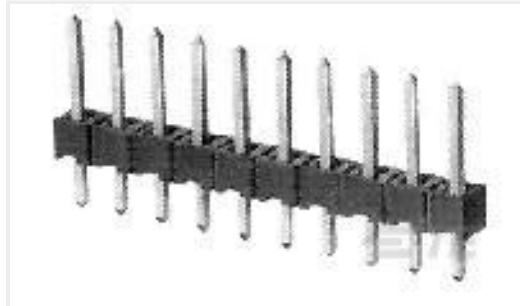
TE Part # 167300-6
MOD-4 REC.CONTACT



TE Part # 167300-8
MOD-4 REC.CONTACT



TE Part # 166309-3
MOD-5 REC.CONTACT

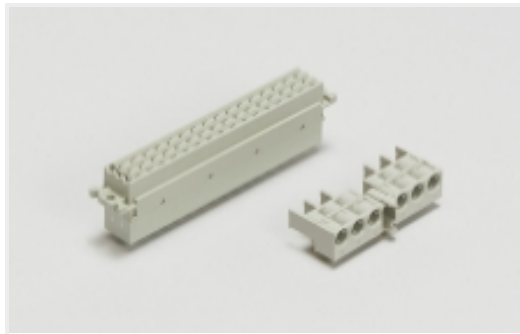


TE Part # 1-826648-0
10P AMPMODU II STIFT LEI



TE Part # 1-826652-0
10P AMPMODU II STIFT LEI

Also in the Series | AMPMODU IV/V



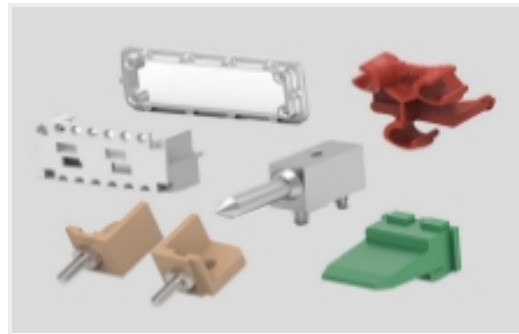
Backplane Connector Housings(1)



Connector Caps & Covers(11)



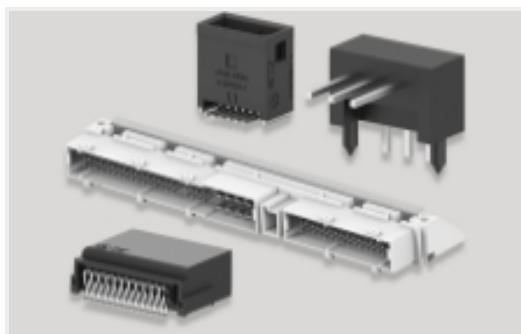
Connector Contacts(271)



Connector Hardware(11)



Insertion & Extraction Tools(4)



PCB Headers & Receptacles(517)



Rectangular Connector Housings(5)



Standard Rectangular Connectors(3)



Wire-to-Board Connector Assemblies
& Housings(394)

Customers Also Bought



TE Part #5749069-7
68 50SR VERT RCPT ASSY



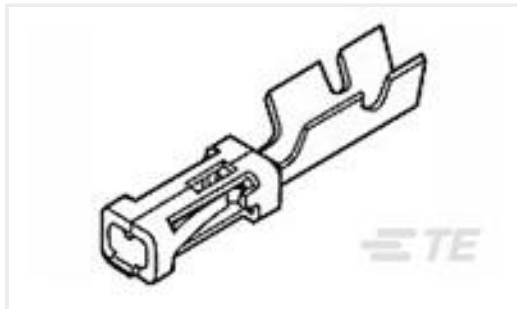
TE Part #1761028-4
68 50SR R/A RCPT ASSY, LEAD FREE



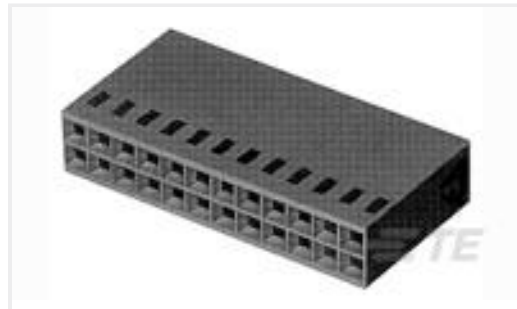
TE Part #2-1462039-9
IM23GR=IM RELAY 50mW 5V



TE Part #825433-6
MOD II SR HDR ASSY 6 POS



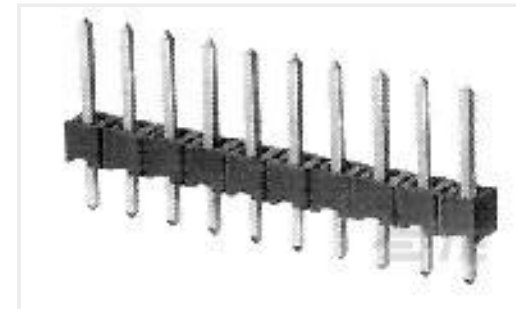
TE Part #167301-4
MOD-4 REC.CONT.SCP



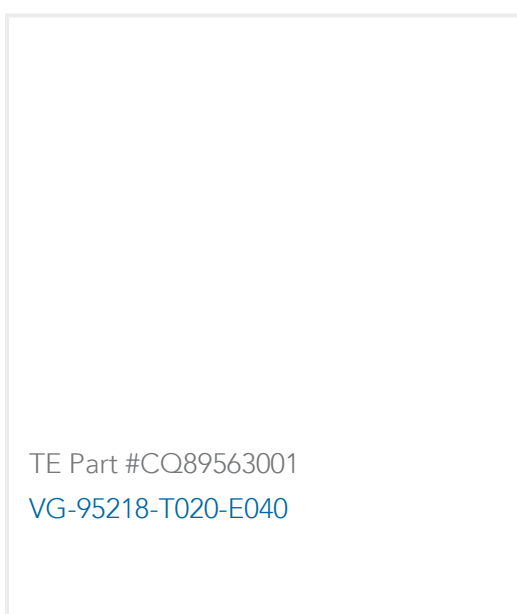
TE Part #1-87456-6
20 MODIV HSG DR MRKD .100CL



TE Part #E44791-000
MP-762508-2.5-8A



TE Part #825433-3
MOD 2 PINHDR 1X3 P.



TE Part #CQ89563001
VG-95218-T020-E040

Documents

CAD Files

3D PDF

3D

Customer View Model

[ENG_CVM_CVM_1-925366-0_AA.2d_dxf.zip](#)

English

Customer View Model

[ENG_CVM_CVM_1-925366-0_AA.3d_igs.zip](#)

English

Customer View Model

[ENG_CVM_CVM_1-925366-0_AA.3d_stp.zip](#)

English

By downloading the CAD file I accept and agree to the [Terms and Conditions](#) of use.

Product Specifications

Application Specification

English

Agency Approvals

1-925366-0

Housing, Receptacle, Wire-to-Board, 10 Position, 2.54 mm [.1 in] Centerline, Crimp, 1 Row, Green, Wire & Cable, Signal, AMPMODU IV/V



UL Report

English