



AMP-IN

TE Internal #: 350015-2

Receptacle, 22 – 18 AWG Wire Size, .3 – .9 mm² Wire Size, Through Hole - Solder, Pre-Tin Plating, Reel, Terminates To Wire & Cable, PCB Terminals

[View on TE.com >](#)

Terminals & Splices > PCB Terminals



PCB Terminal Type: **Receptacle**

Mating Pin Diameter: **2.36 mm [.093 in]**

Wire Size: **.3 – .9 mm²**

Termination Method to PCB: **Through Hole - Solder**

Features

Product Type Features

Terminal Features	Stud Hole
-------------------	-----------

Usage Conditions

Insulation Option	Uninsulated
Operating Temperature Range	-55 – 105 °C[-67 – 221 °F]

Packaging Features

Packaging Quantity	6000
Packaging Method	Reel

Dimensions

Terminal Material Thickness	.3 mm[.012 in]
Wire Size	.3 – .9 mm ²

Contact Features

PCB Terminal Type	Receptacle
Mating Pin Diameter	2.36 mm[.093 in]
Terminal Plating Material	Pre-Tin



Terminal Size	Miniature
---------------	-----------

Terminal Orientation	Straight
----------------------	----------

Termination Features

Termination Method to PCB	Through Hole - Solder
---------------------------	-----------------------

Product Terminates To	Wire & Cable
-----------------------	--------------

Mechanical Attachment

Wire Insulation Support	Without
-------------------------	---------

Other

EU RoHS Compliance	Compliant
--------------------	-----------

EU ELV Compliance	Compliant
-------------------	-----------

Product Compliance

[For compliance documentation, visit the product page on TE.com>](#)

EU RoHS Directive 2011/65/EU	Compliant
------------------------------	-----------

EU ELV Directive 2000/53/EC	Compliant
-----------------------------	-----------

China RoHS 2 Directive MIIT Order No 32, 2016	No Restricted Materials Above Threshold
---	---

EU REACH Regulation (EC) No. 1907/2006	Current ECHA Candidate List: JUNE 2024 (241) Candidate List Declared Against: JUL 2021 (219) Does not contain REACH SVHC
--	--

Halogen Content	Low Halogen - Br, Cl, F, I < 900 ppm per homogenous material. Also BFR/CFR/PVC Free
-----------------	---

Solder Process Capability	Not applicable for solder process capability
---------------------------	--

Product Compliance Disclaimer

This information is provided based on reasonable inquiry of our suppliers and represents our current actual knowledge based on the information they provided. This information is subject to change. The part numbers that TE has identified as EU RoHS compliant have a maximum concentration of 0.1% by weight in homogenous materials for lead, hexavalent chromium, mercury, PBB, PBDE, DBP, BBP, DEHP, DIBP, and 0.01% for cadmium, or qualify for an exemption to these limits as defined in the Annexes of Directive 2011/65/EU (RoHS2). Finished electrical and electronic equipment products will be CE marked as required by Directive 2011/65/EU. Components may not be CE marked. Additionally, the part numbers that TE has identified as EU ELV compliant have a maximum concentration of 0.1% by weight in homogenous materials for lead, hexavalent chromium, and mercury, and 0.01% for cadmium, or qualify for an exemption to these limits as defined in the Annexes of Directive 2000/53/EC (ELV). Regarding the REACH Regulation, the information TE provides on SVHC in articles for this part number is based on the latest European Chemicals Agency (ECHA) 'Guidance on requirements for substances in articles' posted at this URL: <https://echa.europa.eu/guidance-documents/guidance-on-reach>

Compatible Parts



TE Part # 2836413-2
OCEAN_2.0_APPLICATOR-S-055F080OA-RSA



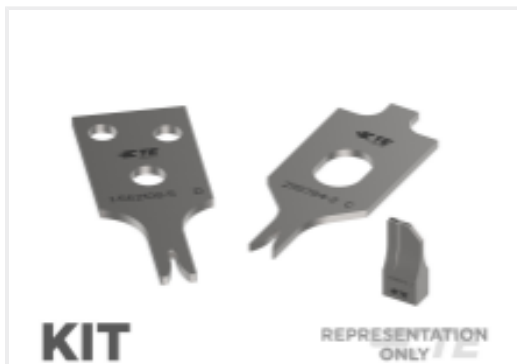
TE Part # 2836555-1
OCEAN_2.0_APPLICATOR-S-070F-RSM



TE Part # 2836555-2
OCEAN_2.0_APPLICATOR-S-070FA



TE Part # 350015-1
093 PIN REC 22-18 0125PTPPHBZ

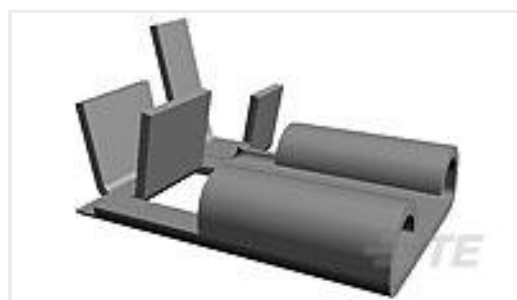


TE Part # 7-2836555-7
OCEAN_2.0_SPARE_PART_KIT-070F

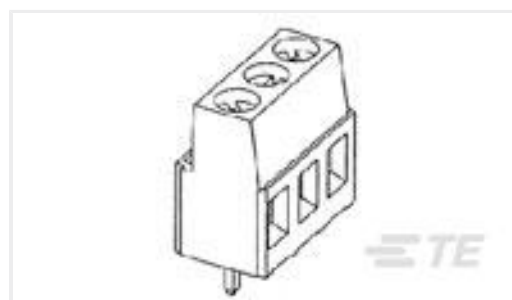
Customers Also Bought



TE Part #62026-1
187 FASTON REC 20-16 AWG TPBR



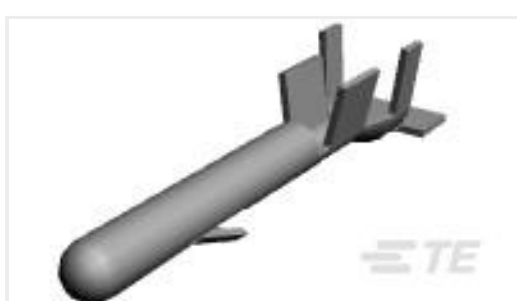
TE Part #63011-2
250 FASTON FLAG REC 18-14 AWG TPBR



TE Part #796683-4
TERMI-BLOK PCB MOUNT 90 4P.



TE Part #1-2379237-1
NECTOR T, INLINE SOCKET, SCREW, Key-A,S2



TE Part #61118-2
CMNL PIN 20-14 BR



TE Part #2359420-1
NECTOR T, T-SPLITTER, Key-A

Documents

Product Drawings

[.093 PIN RECPT 22-18 PTPPHBRZ](#)

English

CAD Files

[3D PDF](#)

[3D](#)

[Customer View Model](#)

[ENG_CVM_CVM_350015-2_L.2d_dxf.zip](#)



English

Customer View Model

[ENG_CVM_CVM_350015-2_L.3d_igs.zip](#)

English

Customer View Model

[ENG_CVM_CVM_350015-2_L.3d_stp.zip](#)

English

Customer View Model

[ENG_CVM_350015-2_G.3d_igs.zip](#)

English

Customer View Model

[ENG_CVM_350015-2_G.3d_stp.zip](#)

English

Customer View Model

[ENG_CVM_350015-2_G.2d_dxf.zip](#)

English

3D PDF

English

By downloading the CAD file I accept and agree to the [Terms and Conditions](#) of use.

Datasheets & Catalog Pages

PRINTED CIRCUIT BOARD TERMINALS AND DISCONNECTS

English

Product Specifications

Application Specification

English