

2-1418480-1 ✓ ACTIVE

AMP | Heavy Duty Sealed Connector Series

TE Internal #: 2-1418480-1

Housing for Female Terminals, Wire-to-Wire, 7 Position, 4 mm / 6 mm [.157 in / .236 in] Centerline, Sealable, Heavy Duty Sealed Connector Series

[View on TE.com >](#)



Connectors > Automotive Connectors > Automotive Housings > Heavy Duty Sealed Connector Series Housings



Connector System: **Wire-to-Wire**

Number of Positions: 7

Connector & Housing Type: **Housing for Female Terminals**

Centerline (Pitch): 4 mm, 6 mm [.157 in, .236 in]

Sealable: **Yes**

[All Heavy Duty Sealed Connector Series Housings \(204\)](#)

Features

Product Type Features

Connector System	Wire-to-Wire
Connector & Housing Type	Housing for Female Terminals
Sealable	Yes
Connector & Contact Terminates To	Wire & Cable
Primary Locking Feature	On the Terminal
Mixed & Hybrid Connector	Yes
Connector Shape	Rectangular

Configuration Features

Number of Positions	7
Number of Rows	2

Housing Features

Centerline (Pitch)	4 mm, 6 mm [.157 in][.236 in]
Housing Material	PBT GF

Contact Features

Mating Tab Width	1.5 mm, 2.8 mm [.11 in][.059 in]
Contact Current Rating (Max)	40 A



Contact Size	2.8mm, 1.5K
--------------	-------------

Contact Type	Receptacle
--------------	------------

Body Features

Primary Product Color	Black
-----------------------	-------

Connector & Keying Code	B
-------------------------	---

Cable Exit Angle	90°, 180°
------------------	-----------

Operation/Application

Circuit Application	Power
---------------------	-------

Mechanical Attachment

Connector Mounting Type	Cable Mount (Free-Hanging)
-------------------------	----------------------------

Strain Relief	Without
---------------	---------

Terminal Position Assurance	Yes
-----------------------------	-----

Mating Alignment Type	Keyed
-----------------------	-------

Mating Alignment	With
------------------	------

Usage Conditions

Operating Temperature (Max)	140 °C[284 °F]
-----------------------------	----------------

Operating Temperature Range	-40 – 140 °C[-40 – 284 °F]
-----------------------------	----------------------------

Other

Connector Position Assurance Capable	No
--------------------------------------	----

EU RoHS Compliance	Compliant
--------------------	-----------

EU ELV Compliance	Compliant
-------------------	-----------

Serviceable	Yes
-------------	-----

Electrical Characteristics

Operating Voltage	60 VDC
-------------------	--------

Dimensions

Row-to-Row Spacing	2.54 mm[.1 in]
--------------------	----------------

Product Width	25.7 mm[1.012 in]
---------------	-------------------

Product Length	44 mm[1.732 in]
----------------	-----------------

Connector Height	31.25 mm[1.23 in]
------------------	-------------------

Industry Standards

IP Rating	IP67
-----------	------



UL Flammability Rating

UL 94V-0

Packaging Features

Packaging Quantity	380
Packaging Method	Box

Product Compliance

[For compliance documentation, visit the product page on TE.com>](#)

EU RoHS Directive 2011/65/EU	Compliant
EU ELV Directive 2000/53/EC	Compliant
China RoHS 2 Directive MIIT Order No 32, 2016	No Restricted Materials Above Threshold
EU REACH Regulation (EC) No. 1907/2006	Current ECHA Candidate List: JUNE 2024 (241) Candidate List Declared Against: JUNE 2024 (241) Does not contain REACH SVHC
Halogen Content	Not Low Halogen - contains Br or Cl > 900 ppm.
Solder Process Capability	Not applicable for solder process capability

Product Compliance Disclaimer

This information is provided based on reasonable inquiry of our suppliers and represents our current actual knowledge based on the information they provided. This information is subject to change. The part numbers that TE has identified as EU RoHS compliant have a maximum concentration of 0.1% by weight in homogenous materials for lead, hexavalent chromium, mercury, PBB, PBDE, DBP, BBP, DEHP, DIBP, and 0.01% for cadmium, or qualify for an exemption to these limits as defined in the Annexes of Directive 2011/65/EU (RoHS2). Finished electrical and electronic equipment products will be CE marked as required by Directive 2011/65/EU. Components may not be CE marked. Additionally, the part numbers that TE has identified as EU ELV compliant have a maximum concentration of 0.1% by weight in homogenous materials for lead, hexavalent chromium, and mercury, and 0.01% for cadmium, or qualify for an exemption to these limits as defined in the Annexes of Directive 2000/53/EC (ELV). Regarding the REACH Regulation, the information TE provides on SVHC in articles for this part number is based on the latest European Chemicals Agency (ECHA) 'Guidance on requirements for substances in articles' posted at this URL: <https://echa.europa.eu/guidance-documents/guidance-on-reach>

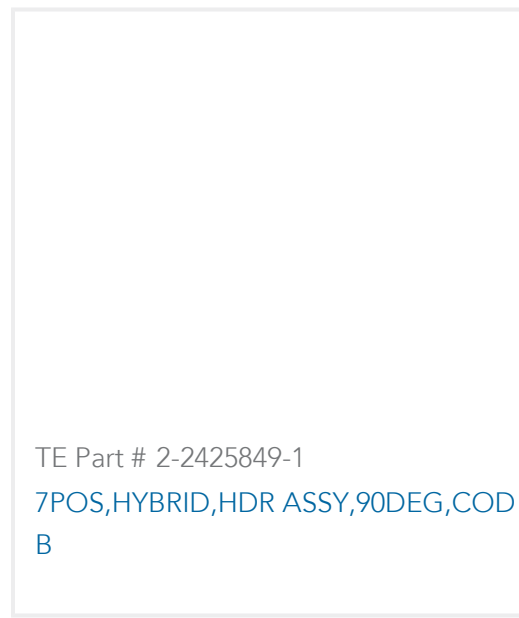
Compatible Parts

TE Part # 2112301-1
PROTECTION CAP, FOR REC.HSG GROUP C

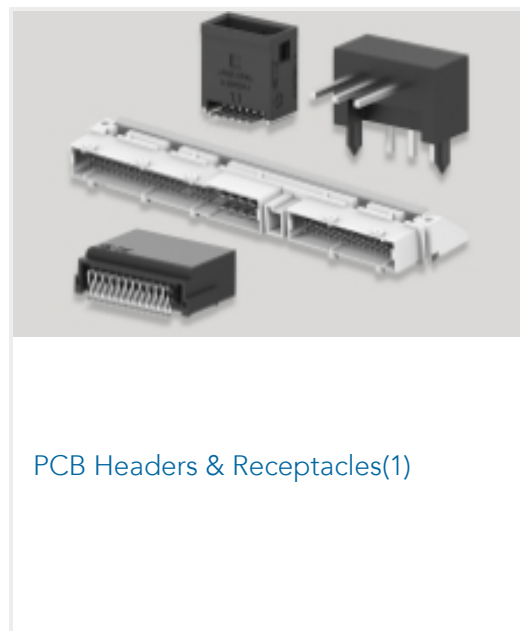
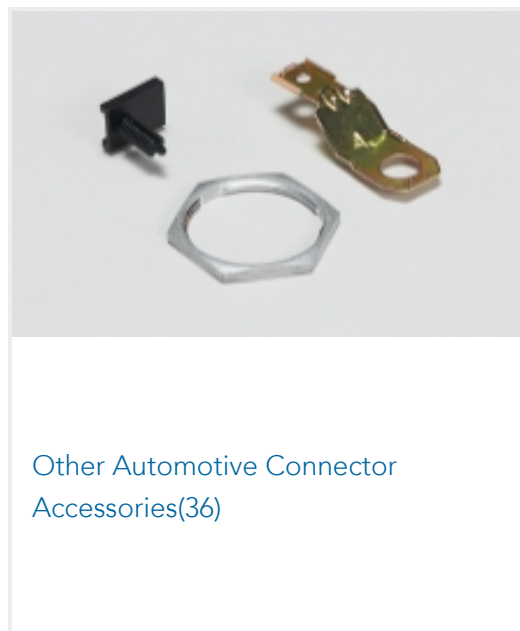
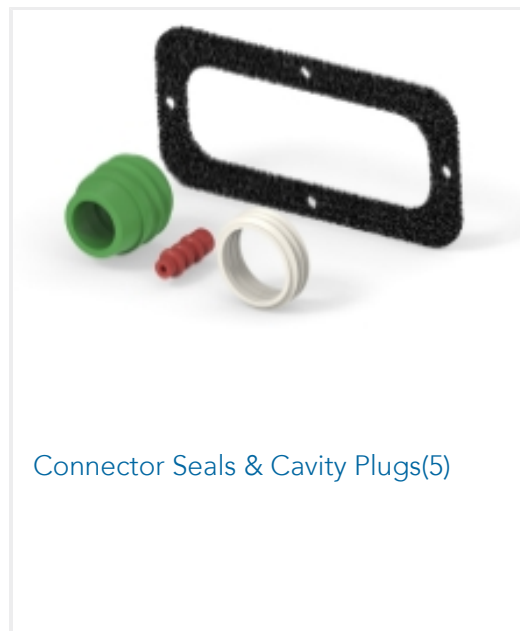
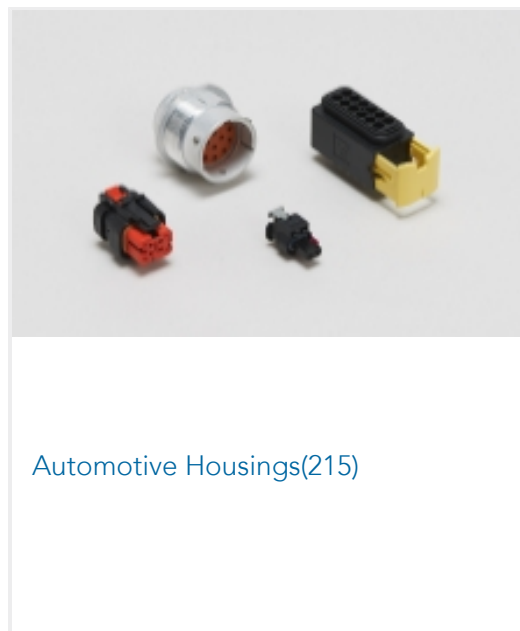
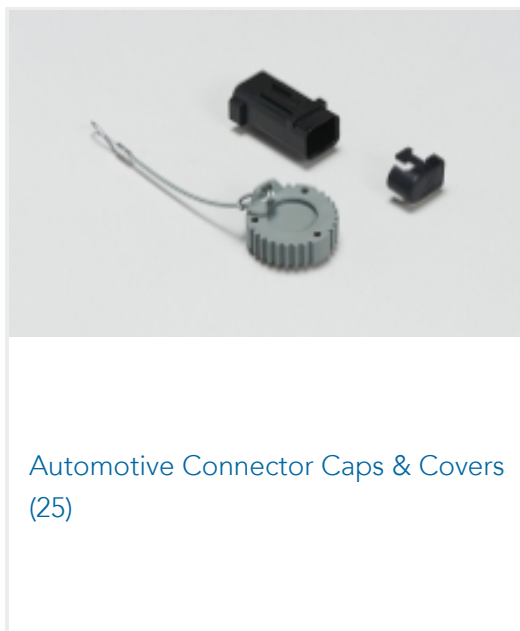
TE Part # CAT-H3399-B128
Heavy Duty Sealed Connector Series Backshells

TE Part # CAT-H3399-CH8172
Heavy Duty Sealed Connector Series Housings

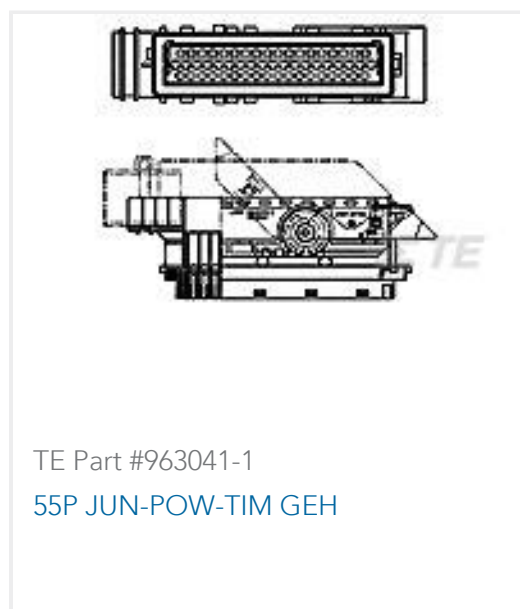
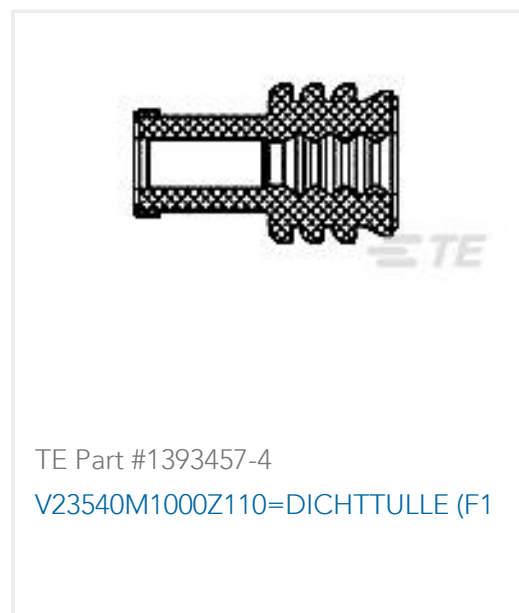
TE Part # 2-2378180-1
7POS, HYBRID, HDR ASSY, 180DEG, COD B



Also in the Series | **Heavy Duty Sealed Connector Series**



Customers Also Bought





Documents

Product Drawings

[7 POS MIXED REC HSG GR](#)

English

CAD Files

Customer View Model

[ENG_CVM_CVM_2-1418480-1_J.2d_dxf.zip](#)

English

[3D PDF](#)

3D

Customer View Model

[ENG_CVM_CVM_2-1418480-1_J.3d_igs.zip](#)

English

Customer View Model

[ENG_CVM_CVM_2-1418480-1_J.3d_stp.zip](#)

English

By downloading the CAD file I accept and agree to the [Terms and Conditions](#) of use.

Datasheets & Catalog Pages

[Heavy Duty Sealed Connector Series](#)

English

[HDSCS Catalog](#)

English

[ICT Terminals and Connectors Catalogue](#)

English

[CONNECTOR SELECTOR](#)

English

Product Specifications

[Application Specification](#)

English