

4-644615-2 ✓ ACTIVE

MTA 156

TE Internal #: 4-644615-2

PCB Mount Header, Vertical, Wire-to-Board, 12 Position, 3.96 mm [.156 in] Centerline, Partially Shrouded, Tin, Through Hole - Solder, Power, MTA 156

[View on TE.com >](#)



Connectors > PCB Connectors > PCB Headers & Receptacles



EU RoHS Compliance: **Compliant**

EU ELV Compliance: **Compliant**

PCB Connector Assembly Type: **PCB Mount Header**

PCB Mount Orientation: **Vertical**

Connector System: **Wire-to-Board**

Features

Other

EU RoHS Compliance	Compliant
EU ELV Compliance	Compliant

Product Type Features

Mixed & Hybrid Header	No
Connector Shape	Rectangular
PCB Connector Assembly Type	PCB Mount Header
Connector System	Wire-to-Board
Header Type	Partially Shrouded
Sealable	No
Connector & Contact Terminates To	Printed Circuit Board

Configuration Features

Connector Contact Load Condition	Fully Loaded
Number of Columns	12
Number of Loaded Positions	12



Keying & Polarized Position Locations	4&5, 8&9
Number of Power Positions	12
PCB Mount Orientation	Vertical
Number of Positions	12
Number of Rows	1

Electrical Characteristics

Operating Voltage	600 VAC
-------------------	---------

Body Features

Primary Product Color	Natural
-----------------------	---------

Contact Features

Contact Underplating Material	Nickel
Contact Underplating Material Thickness	1.27 μm [50 μin]
Contact Size	1.14mm
Contact Mating Area Plating Material Thickness	3.81 – 8.89 μm [150 – 350 μin]
Mating Square Post Dimension	1.14 mm[.045 in]
Contact Base Material	Copper Alloy
PCB Contact Termination Area Plating Material	Tin
Contact Mating Area Plating Material Finish	Matte
PCB Contact Termination Area Plating Material Finish	Matte
Contact Shape & Form	Square
PCB Contact Termination Area Plating Material Thickness	3.81 – 8.89 μm [150 – 350 μin]
Contact Layout	Inline
Contact Mating Area Length	11.43 mm[.45 in]
Contact Mating Area Plating Material	Tin
Contact Type	Tab
Contact Current Rating (Max)	14.24 A

Termination Features

Square Termination Post & Tail Dimension	1.14 mm[.045 in]
Termination Post & Tail Length	3.18 mm[.125 in]
Termination Method to PCB	Through Hole - Solder

Mechanical Attachment

Panel Mount Feature	Without
---------------------	---------



PCB Mount Retention Type	Tab
Mating Alignment Type	Backwall Interruptions Between Posts
Mating Retention Type	Polarized Lock
Mating Retention	With
PCB Mount Alignment Type	Peg
PCB Mount Retention	With
PCB Mount Alignment	With
Connector Mounting Type	Board Mount
Mating Alignment	With
Housing Features	
Mating Entry Location	Top
Housing Material	Thermoplastic Polyester - Glass-Filled
Centerline (Pitch)	3.96 mm[.156 in]
Dimensions	
Connector Width	10.79 mm[.425 in]
Connector Height	13.84 mm[.545 in]
Connector Length	47.42 mm[1.867 in]
PCB Thickness (Recommended)	1.57 mm[.062 in]
Usage Conditions	
Operating Temperature (Max)	105 °C[221 °F]
Operating Temperature Range	-55 – 105 °C[-67 – 221 °F]
Operation/Application	
Circuit Application	Power
Industry Standards	
Compatible With Agency/Standards Products	UL, CSA
UL Rating	Recognized
Compatible With Approved Standards Products	UL E28476
Glow Wire Rating	Standard Part - Not Glow Wire
UL Flammability Rating	UL 94V-0
Packaging Features	
Packaging Quantity	500
Packaging Method	Bag



Product Compliance

[For compliance documentation, visit the product page on TE.com>](#)

EU RoHS Directive 2011/65/EU	Compliant
EU ELV Directive 2000/53/EC	Compliant
China RoHS 2 Directive MIIT Order No 32, 2016	No Restricted Materials Above Threshold
EU REACH Regulation (EC) No. 1907/2006	Current ECHA Candidate List: JUNE 2024 (241) Candidate List Declared Against: JUNE 2024 (241) Does not contain REACH SVHC
Halogen Content	Not Low Halogen - contains Br or Cl > 900 ppm.
Solder Process Capability	Wave solder capable to 265°C

Product Compliance Disclaimer

This information is provided based on reasonable inquiry of our suppliers and represents our current actual knowledge based on the information they provided. This information is subject to change. The part numbers that TE has identified as EU RoHS compliant have a maximum concentration of 0.1% by weight in homogenous materials for lead, hexavalent chromium, mercury, PBB, PBDE, DBP, BBP, DEHP, DIBP, and 0.01% for cadmium, or qualify for an exemption to these limits as defined in the Annexes of Directive 2011/65/EU (RoHS2). Finished electrical and electronic equipment products will be CE marked as required by Directive 2011/65/EU. Components may not be CE marked. Additionally, the part numbers that TE has identified as EU ELV compliant have a maximum concentration of 0.1% by weight in homogenous materials for lead, hexavalent chromium, and mercury, and 0.01% for cadmium, or qualify for an exemption to these limits as defined in the Annexes of Directive 2000/53/EC (ELV). Regarding the REACH Regulation, the information TE provides on SVHC in articles for this part number is based on the latest European Chemicals Agency (ECHA) 'Guidance on requirements for substances in articles' posted at this URL: <https://echa.europa.eu/guidance-documents/guidance-on-reach>

Compatible Parts



TE Part # CAT-103156-WBHSM
Receptacle Housing: Wire-to-Board, with Mating Alignment, SL156



TE Part # 1-640251-2
12P SL156 HSG W/O LCK RAMP



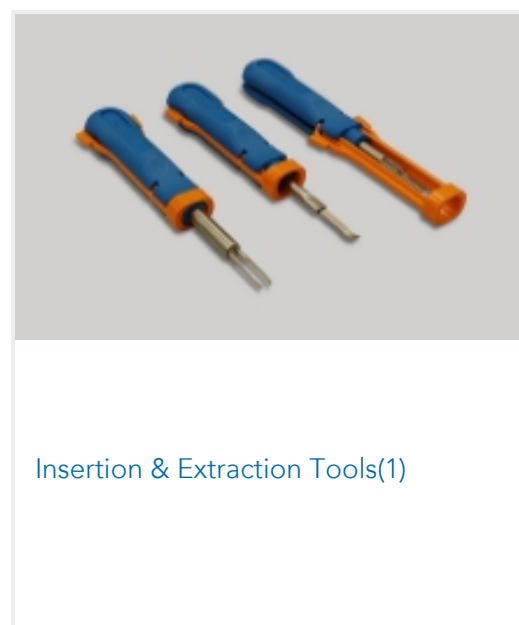
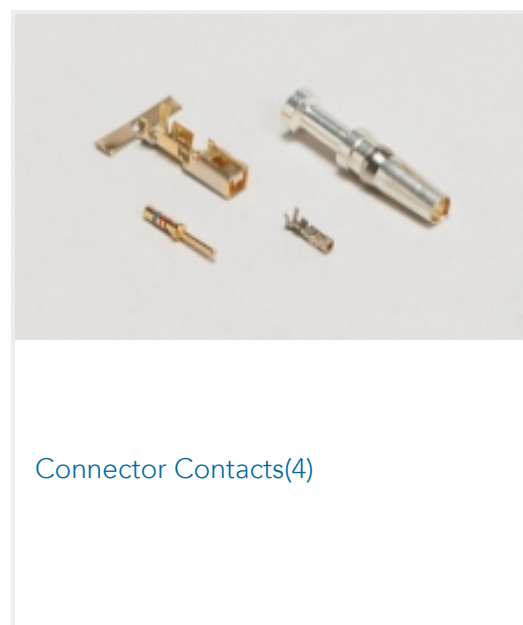
TE Part # 4-640427-2
12P MTA156 CONN ASSY 20AWG YEL

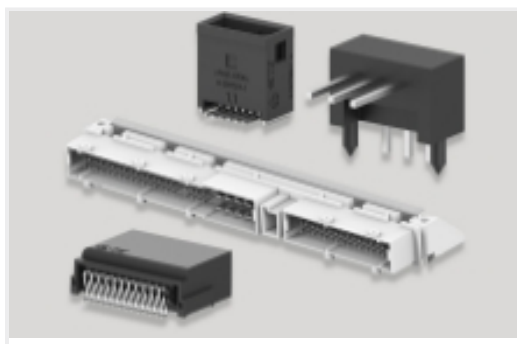


TE Part # 4-640432-2
12P MTA156 CONN ASSY 20AWG YEL



Also in the Series | **MTA 156**

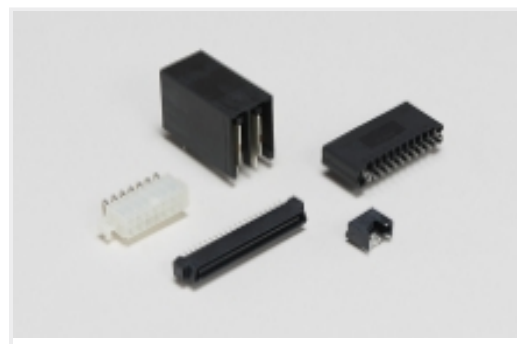




PCB Headers & Receptacles(677)



Rectangular Power Connectors(331)



Standard Rectangular Connectors(336)

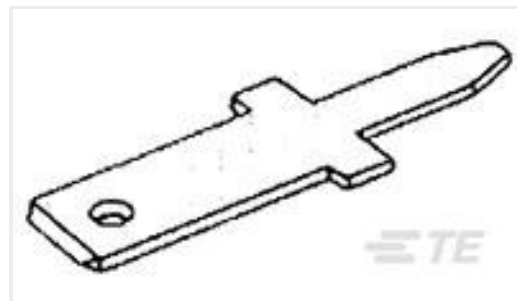
Customers Also Bought



TE Part #1-175217-5
DYNAMIC D-3 REC CONT. M PRE-TIN L/P



TE Part #3-794630-2
02P MICRO MNL ASSY,VRT,HDR,LF



TE Part #63756-1
110 FASTON TAB TPBR



TE Part #2-1393194-1
T77V1D10-24



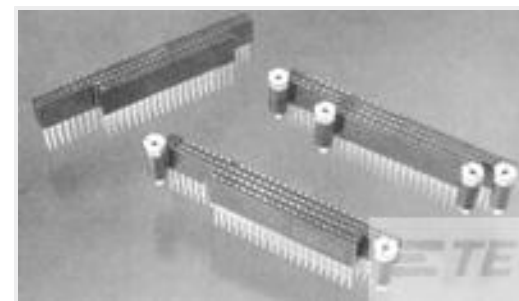
TE Part #1-480701-9
03P UMNL CAP HSG BLK



TE Part #3-1437664-1
NC6-P108-03=NC6 ASSEMBLY



TE Part #CONREV SMA001
RP-SMA Jack 50 Ohm PCB Through Hole



TE Part #1375963-4
PC104 CONN NONSTKTHU NO STNDOL



TE Part #90683-1
PRO-CRIMPER ASSEMBLY



TE Part #RXM-418-LR
Module LR 418MHz AM OOK RX RCVR

Documents

Product Drawings

[12P MTA156 POL HDR ASSY LF](#)

English

CAD Files

[Customer View Model](#)

[ENG_CVM_4-644615-2_J.2d_dxf.zip](#)

English

[3D PDF](#)



English

Customer View Model

[ENG_CVM_4-644615-2_J.3d_igs.zip](#)

English

Customer View Model

[ENG_CVM_4-644615-2_J.3d_stp.zip](#)

English

[3D PDF](#)

3D

Customer View Model

[ENG_CVM_CVM_4-644615-2_E.2d_dxf.zip](#)

English

Customer View Model

[ENG_CVM_CVM_4-644615-2_E.3d_igs.zip](#)

English

Customer View Model

[ENG_CVM_CVM_4-644615-2_E.3d_stp.zip](#)

English

By downloading the CAD file I accept and agree to the [Terms and Conditions](#) of use.

Product Specifications

[Application Specification](#)

English

Agency Approvals

[UL](#)

English