

2-178496-1 ✓ ACTIVE

AMP Universal Power

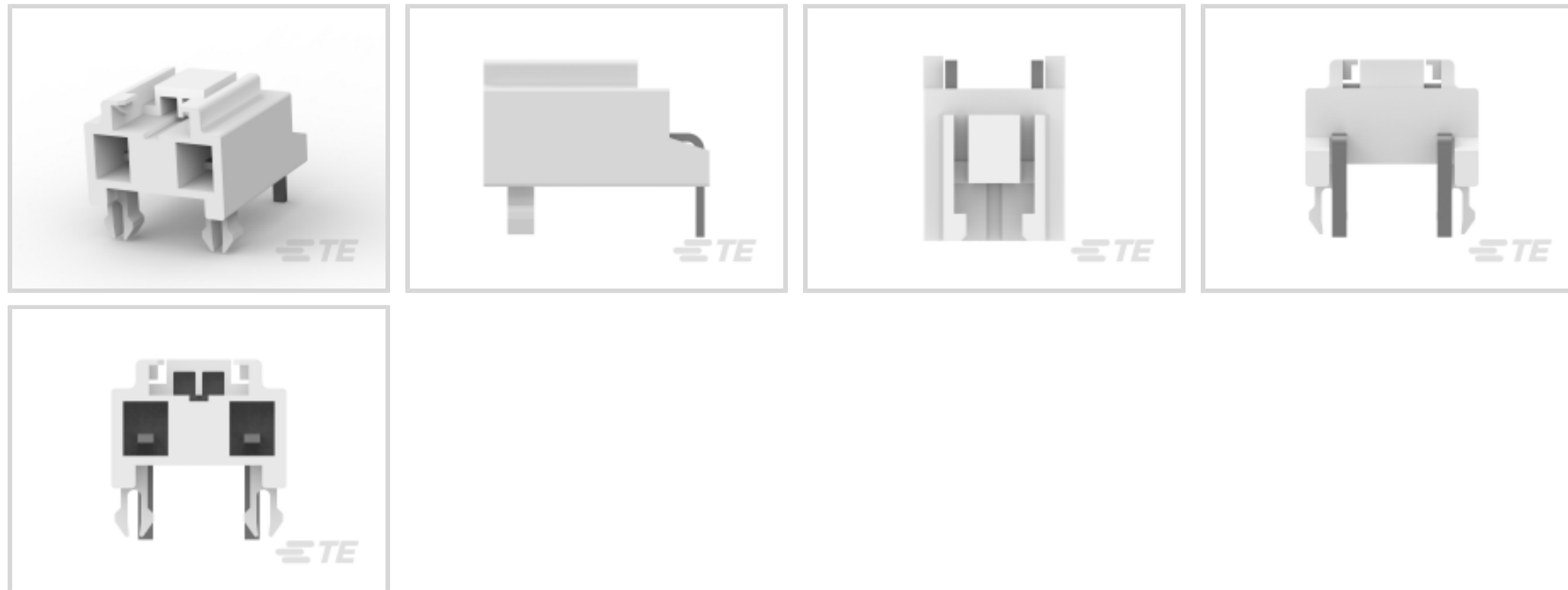
TE Internal #: 2-178496-1

PCB Mount Header, Right Angle, Wire-to-Board, 3 Position, 7.92 mm [.311 in] Centerline, Fully Shrouded, Tin, AMP Universal Power

[View on TE.com >](#)



Connectors > PCB Connectors > PCB Headers & Receptacles



EU RoHS Compliance: **Compliant**

EU ELV Compliance: **Compliant**

PCB Connector Assembly Type: **PCB Mount Header**

PCB Mount Orientation: **Right Angle**

Connector System: **Wire-to-Board**

### Features

#### Other

EU RoHS Compliance	Compliant
EU ELV Compliance	Compliant
Position Locations Omitted	2
Number of Blocked Positions	1

#### Product Type Features

Mixed & Hybrid Header	No
Connector Shape	Rectangular
PCB Connector Assembly Type	PCB Mount Header
Connector System	Wire-to-Board
Header Type	Fully Shrouded
Sealable	No
Connector & Contact Terminates To	Printed Circuit Board

#### Configuration Features

Number of Columns	3
-------------------	---



Number of Loaded Positions	2
Number of Power Positions	2
Connector Contact Load Condition	Selectively Loaded
PCB Mount Orientation	Right Angle
Number of Positions	3
Number of Rows	1

### Electrical Characteristics

Operating Voltage	300 VAC
-------------------	---------

### Body Features

Primary Product Color	Natural
-----------------------	---------

### Contact Features

Contact Underplating Material	Nickel
Contact Underplating Material Thickness	.8 – 1.8 $\mu\text{m}$ [31.49 – 70.86 $\mu\text{in}$ ]
PCB Contact Termination Area Plating Material Finish	Bright
Contact Size	1.2mm
Contact Mating Area Plating Material Thickness	1 $\mu\text{m}$ [39.37 $\mu\text{in}$ ]
Mating Tab Width	1.2 mm[.047 in]
PCB Contact Termination Area Plating Material Thickness	1 $\mu\text{m}$ [39.37 $\mu\text{in}$ ]
Contact Shape & Form	Rectangular
Contact Layout	Inline
Contact Base Material	Brass
Mating Tab Thickness	.64 mm[.025 in]
PCB Contact Termination Area Plating Material	Tin
Contact Mating Area Plating Material Finish	Bright
Contact Mating Area Plating Material	Tin
Contact Type	Tab
Contact Current Rating (Max)	12 A

### Termination Features

Rectangular Termination Post & Tail Width	1.1 mm[.043 in]
Rectangular Termination Post & Tail Thickness	.64 mm[.025 in]
Termination Post & Tail Length	3.8 mm[.15 in]
Termination Method to PCB	Through Hole - Solder



### Mechanical Attachment

Panel Mount Feature	Without
Mating Retention Type	Locking Latch
Mating Retention	With
PCB Mount Retention Type	Boardlock
PCB Mount Retention	With
PCB Mount Alignment	Without
Connector Mounting Type	Board Mount
Mating Alignment	Without

### Housing Features

Mating Entry Location	Side
Housing Material	Nylon 6/6 GF
Centerline (Pitch)	7.92 mm [.311 in]

### Dimensions

Connector Width	14 mm [.551 in]
PCB Thickness (Recommended)	1.6 mm [.063 in]
Connector Height	9.55 mm [.376 in]
Connector Length	13.02 mm [.513 in]

### Usage Conditions

Operating Temperature (Max)	105 °C [221 °F]
Operating Temperature Range	-30 – 105 °C [-22 – 221 °F]

### Operation/Application

Circuit Application	Power
---------------------	-------

### Industry Standards

Glow Wire Rating	Standard Part - Not Glow Wire
UL Flammability Rating	UL 94V-0

### Packaging Features

Packaging Quantity	250
Packaging Method	Bag

### Product Compliance

[For compliance documentation, visit the product page on TE.com>](#)




EU RoHS Directive 2011/65/EU	Compliant
EU ELV Directive 2000/53/EC	Compliant
China RoHS 2 Directive MIIT Order No 32, 2016	No Restricted Materials Above Threshold
EU REACH Regulation (EC) No. 1907/2006	Current ECHA Candidate List: JUNE 2024 (241) Candidate List Declared Against: JUNE 2024 (241) Does not contain REACH SVHC
Halogen Content	Not Low Halogen - contains Br or Cl > 900 ppm.
Solder Process Capability	Wave solder capable to 265°C

Product Compliance Disclaimer

This information is provided based on reasonable inquiry of our suppliers and represents our current actual knowledge based on the information they provided. This information is subject to change. The part numbers that TE has identified as EU RoHS compliant have a maximum concentration of 0.1% by weight in homogenous materials for lead, hexavalent chromium, mercury, PBB, PBDE, DBP, BBP, DEHP, DIBP, and 0.01% for cadmium, or qualify for an exemption to these limits as defined in the Annexes of Directive 2011/65/EU (RoHS2). Finished electrical and electronic equipment products will be CE marked as required by Directive 2011/65/EU. Components may not be CE marked. Additionally, the part numbers that TE has identified as EU ELV compliant have a maximum concentration of 0.1% by weight in homogenous materials for lead, hexavalent chromium, and mercury, and 0.01% for cadmium, or qualify for an exemption to these limits as defined in the Annexes of Directive 2000/53/EC (ELV). Regarding the REACH Regulation, the information TE provides on SVHC in articles for this part number is based on the latest European Chemicals Agency (ECHA) 'Guidance on requirements for substances in articles' posted at this URL: <https://echa.europa.eu/guidance-documents/guidance-on-reach>

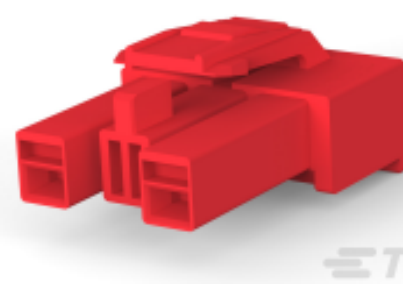
## Compatible Parts



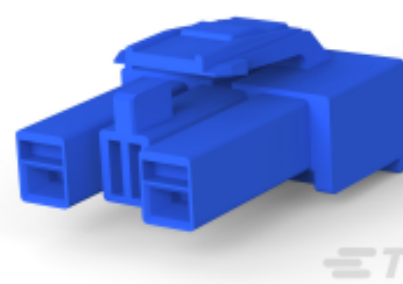
TE Part # 178125-1  
U/POWER PLUG HSG 2P 7.92M/M



TE Part # 178125-4  
U/POWER PLUG HSG 2P 7.29MM



TE Part # 178125-2  
UNIVERSAL POWER PLUG HSG 2P



TE Part # 178125-6  
U/POWER PLUG HSG 2P 7.29



TE Part # 178125-9  
UNIVERSAL POWER PLUG HSG 2P

Also in the Series | **AMP Universal Power**



Connector Contacts(22)



Insertion & Extraction Tools(1)



PCB Headers & Receptacles(51)



Rectangular Power Connectors(112)

## Customers Also Bought



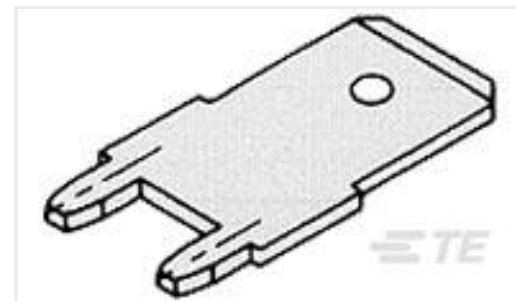
TE Part #175156-2  
U/P REC CONT L/P



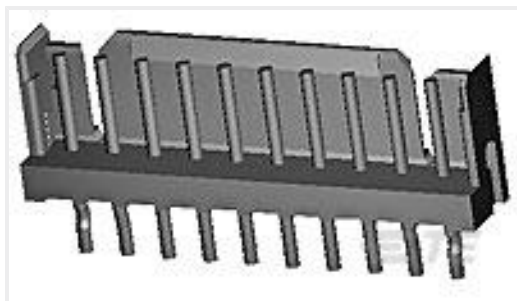
TE Part #178125-1  
U/POWER PLUG HSG 2P 7.92M/M



TE Part #1-794374-1  
SINGLE CIRCUIT MINI UMNL ASSY



TE Part #62409-1  
250 FASTON TAB TPBR



TE Part #292161-4  
CT P/HDR ASSY V 4P W/KINK NAT



TE Part #172335-1  
MINI UMNL PLUG HOUSING 1P



TE Part #CONSMB006-G  
SMB Plug 50 Ohm PCB Through Hole



TE Part #CONSMB007-G  
SMB Plug 50 Ohm Cable Crimp



TE Part #1-5499345-2  
A/L UNIV HDR 64P RA SHT LAT



TE Part #172040-1  
MIC CAP 5P H

## Documents

### Product Drawings

[UNIV. POWER HDR H ASSY 2P NAT.](#)

Japanese

### CAD Files

[3D PDF](#)

3D

[Customer View Model](#)

[ENG\\_CVM\\_CVM\\_2-178496-1\\_F.2d\\_dxf.zip](#)



English

**Customer View Model**

[ENG\\_CVM\\_CVM\\_2-178496-1\\_F.3d\\_igs.zip](#)

English

**Customer View Model**

[ENG\\_CVM\\_CVM\\_2-178496-1\\_F.3d\\_stp.zip](#)

English

**3D PDF**

English

**Customer View Model**

[ENG\\_CVM\\_2-178496-1\\_C.2d\\_dxf.zip](#)

English

**Customer View Model**

[ENG\\_CVM\\_2-178496-1\\_C.3d\\_igs.zip](#)

English

**Customer View Model**

[ENG\\_CVM\\_2-178496-1\\_C.3d\\_stp.zip](#)

English

By downloading the CAD file I accept and agree to the [Terms and Conditions](#) of use.

### Product Specifications

**Crimping of Universal Power Contact**

English

**Product Specification**

Japanese

**AMP Universal Power Connector**

Japanese

**Power Cord Connector**

English

**Product Specification**

English

### Instruction Sheets

**AMP UNIVERSAL POWER CONNECTOR SERIES**

English

**Instruction Sheet (non U.S.)**

English

### Agency Approvals

**UL Report**

English