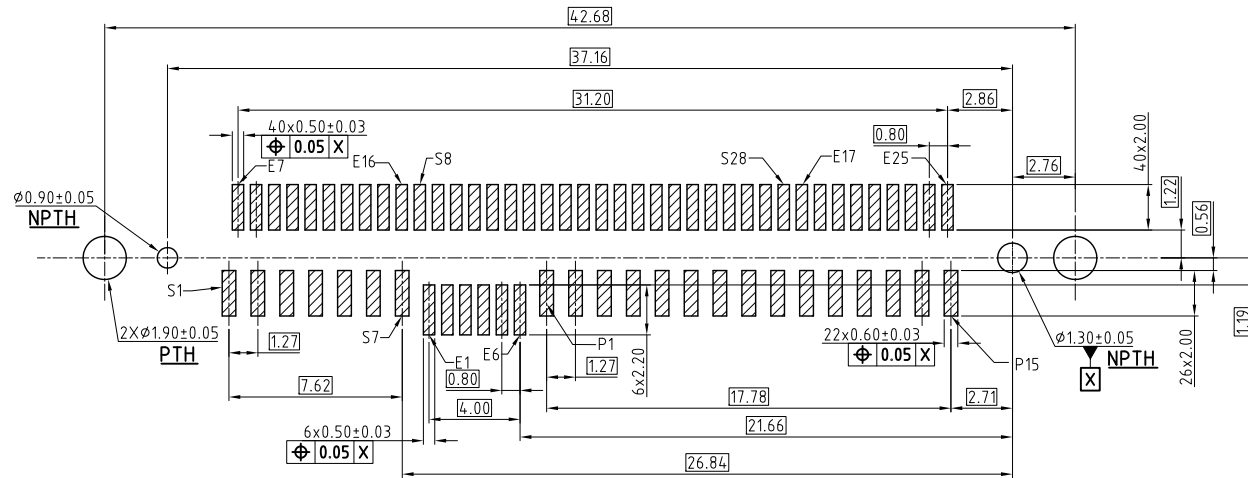
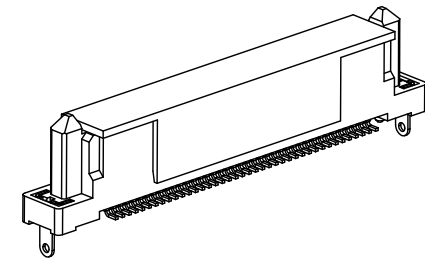
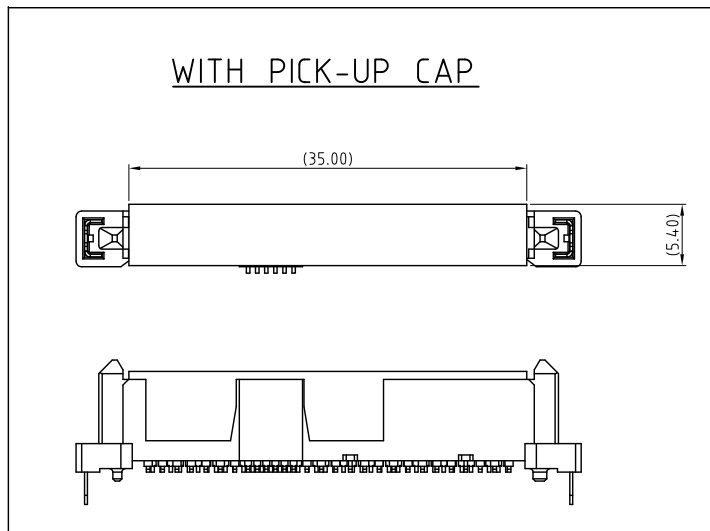


This document is the property of Amphenol Corporation and is delivered on the express condition that it is not to be disclosed, reproduced or used, in whole or in part, for manufacture or sale by anyone other than Amphenol Corporation without its prior consent, & that no right is granted to disclose or to use any information in this document.

REVISIONS				
SYM	ECN	DESCRIPTION	DATE	APPROVED
		REFER TO SHEET 1		



RECOMMENDED PCB LAYOUT
GENERAL TOLERANCE ±0.05MM



CUSTOMER DRAWING



UNLESS OTHERWISE SPECIFIED TOLERANCES		APPROVAL	DATE	Amphenol Amphenol East Asia Limited
	U.S. METRIC	DRAWN Jackie.Tan	07/10/17	
-X +/-	0.50	CHECKED		TITLE Customer Drawing For 12G PSAS V/T HIGH DURABILITY SMT SOCKET
-.XX +/-	0.20	CHECKED		
-.XXX +/-	0.15			DRAWING FILE : ANGLE OF PROJECTION
FRACTIONS +/-	3'			
ANGLES +/-				SIZE DRAWING NO. REV. A3 PSASF313041XXX 4
FOR MATERIALS AND FINISHES SEE NOTES				
REMOVE SHARP EDGES				SCALE NONE SHEET 2 OF 2
DIMENSIONS				
U.S. INCHES				
(METRIC) (MM)				