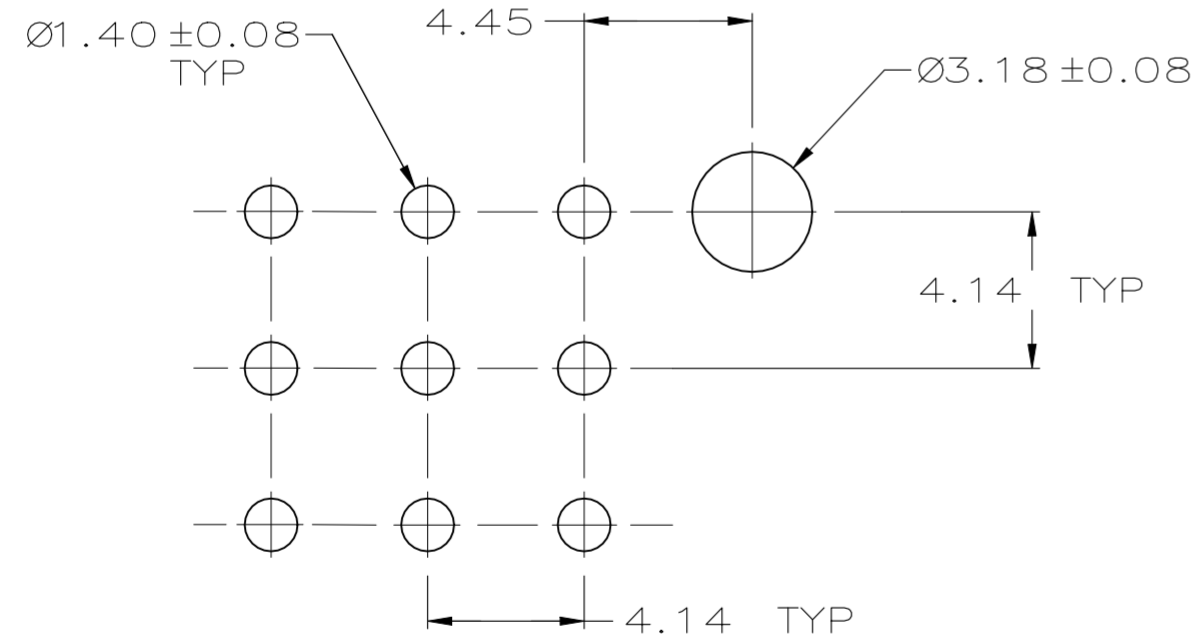
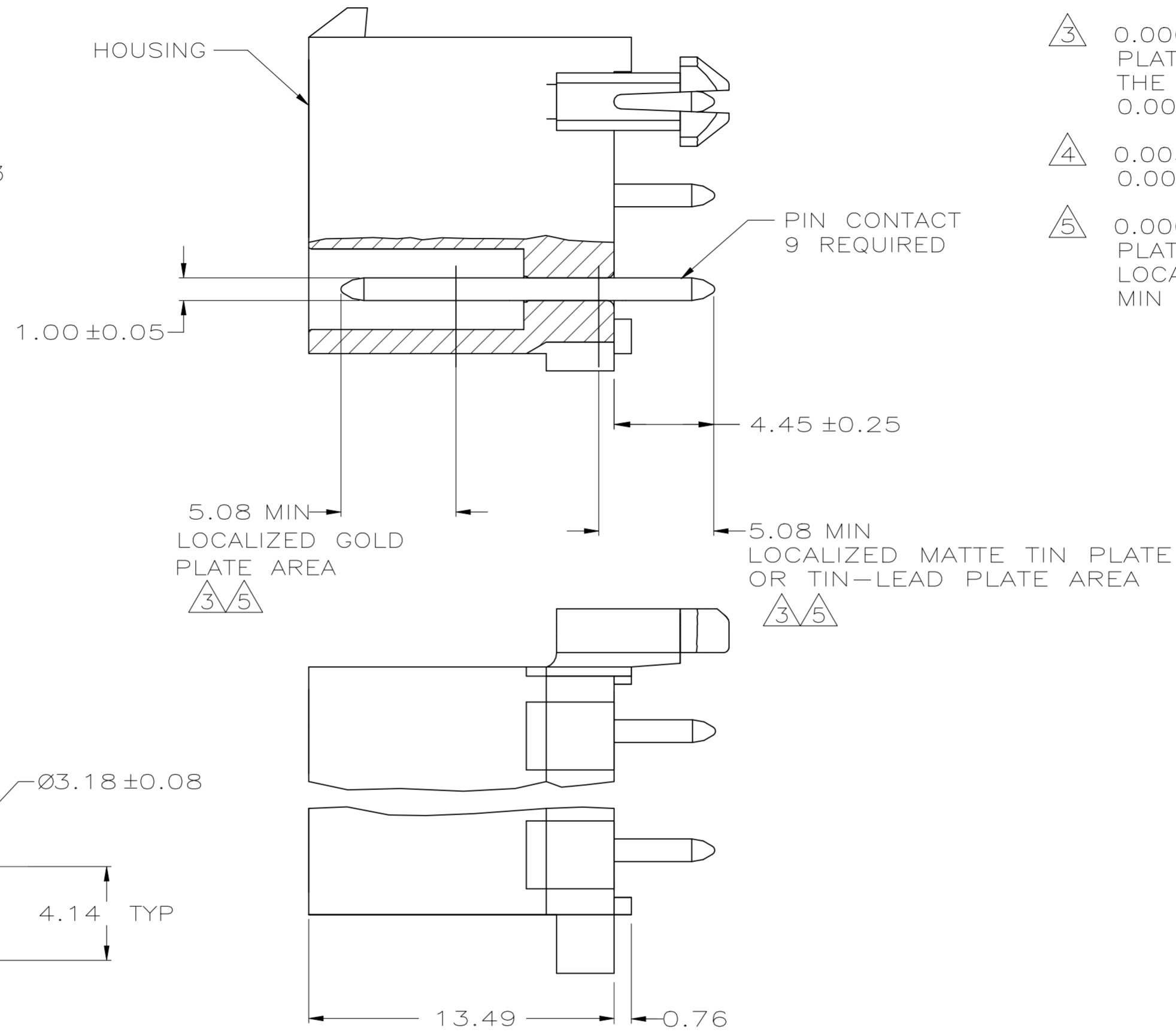
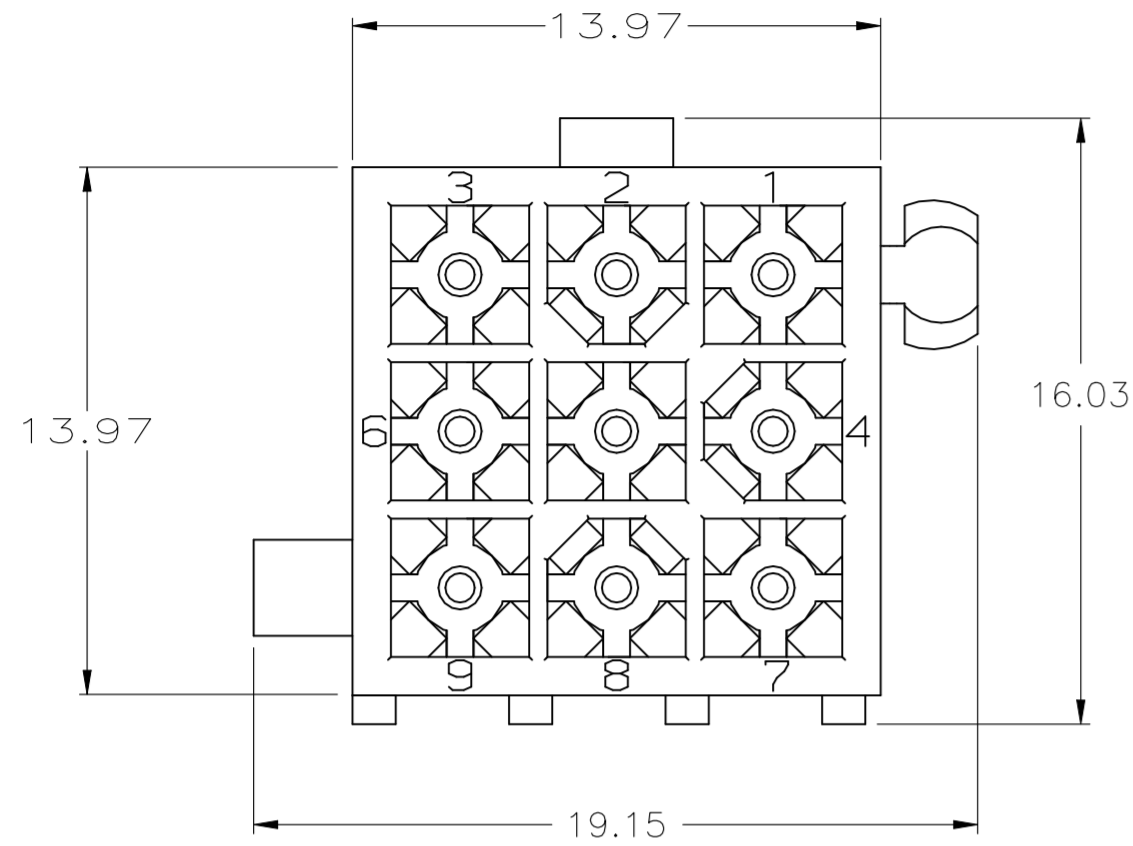


REVISIONS					
P	LTR	DESCRIPTION	DATE	DWN	APVD
M2		REVISED PER ECR-23-188565	22OCT2024	TB	JP



RECOMMENDED LAYOUT FOR 1.57 THICK BOARD  
TOLERANCES NON-ACCUMULATIVE

- PINS TO COMPLY WITH AMP SOLDERABILITY SPEC. 109-11-3.
- 0.00381 MIN MATTE TIN LEAD PLATE OVER 0.00127 MIN NICKEL.
- 0.00076 MIN GOLD PLATE IN THE LOCALIZED PLATE AREA, 0.00381 MATTE TIN LEAD IN THE LOCALIZED PLATE AREA, BOTH OVER 0.00127 MIN NICKEL.
- 0.00381 MIN MATTE TIN PLATE OVER 0.00127 MIN NICKEL.
- 0.00076 MIN GOLD PLATE IN THE LOCALIZED PLATE AREA, 0.00381 MATTE TIN IN THE LOCALIZED PLATE AREA, BOTH OVER 0.00127 MIN NICKEL.

	BRASS, GOLD	5	NYLON, UL94V-0	WHITE	1-770182-1
	BRASS, TIN	4	NYLON, UL94V-0	WHITE	1-770182-0
SUPERSEDED WITH 1-770182-1	BRASS, GOLD	3	NYLON, UL94V-0	WHITE	770182-2
SUPERSEDED WITH 1-770182-0	BRASS, TIN-LEAD	2	NYLON, UL94V-0	WHITE	770182-1
	MATERIAL	FINISH	MATERIAL	COLOR	PART NO.
	PIN		HOUSING		

THIS DRAWING IS A CONTROLLED DOCUMENT.		DWN	S CARPENTER	08JUN05
DIMENSIONS: mm		CHK	R JONES	28JUL2003
TOLERANCES UNLESS OTHERWISE SPECIFIED:		APVD	R JONES	28JUL2003
0 PLC	± -	PRODUCT SPEC	NAME	
1 PLC	± -	APPLICATION SPEC	TE Connectivity	
2 PLC	± 0.13	WEIGHT	HEADER ASSEMBLY, 9 CKT, MINI UNIVERSAL MATE-N-LOK	
3 PLC	± -	CUSTOMER DRAWING	SIZE	A2
4 PLC	± -	SCALE	CAGE CODE	00779
ANGLES	± -	SHEET	DRAWING NO	C=770182
FINISH	-	RESTRICTED TO	-	
		SCALE	5:1	SHEET 1 of 1
		REV	M2	