

2-2232875-1 ✓ ACTIVE

GRACE INERTIA 6.0

TE Internal #: 2-2232875-1

Housing, Plug, Wire-to-Board, 2 Position, 6 mm [.236 in] Centerline,
Wire & Cable, UL 94V-0, GRACE INERTIA 6.0, Rectangular Power
Connectors

[View on TE.com >](#)



Connectors > Power Connectors > Rectangular Power > Rectangular Power Connectors > Glow Wire GRACE INERTIA Plug



EU RoHS Compliance: **Compliant**

EU ELV Compliance: **Compliant**

Rectangular Power Connector Type: **Housing**

Connector & Housing Type: **Plug**

Connector System: **Wire-to-Board**

[All Glow Wire GRACE INERTIA Plug \(78\)](#)

Features

Other

EU RoHS Compliance	Compliant
EU ELV Compliance	Compliant

Product Type Features

Rectangular Power Connector Type	Housing
Connector & Housing Type	Plug
Connector System	Wire-to-Board
Sealable	No
Connector & Contact Terminates To	Wire & Cable

Configuration Features

Number of Positions	2
Number of Power Positions	2
Number of Signal Positions	2
Number of Rows	1

Electrical Characteristics

Operating Voltage	300 VDC
-------------------	---------

Contact Features



Contact Mating Area Plating Material	Tin
Contact Current Rating (Max)	10 A
Contact Retention Within Housing	With
Contact Type	Receptacle
Contact Mating Area Plating Material Thickness	.8 μm [31.5 μin]

Termination Features

Termination Method to Wire & Cable	Crimp
------------------------------------	-------

Mechanical Attachment

Connector Mounting Type	Cable Mount (Free-Hanging)
-------------------------	----------------------------

Housing Features

Centerline (Pitch)	6 mm[.236 in]
Housing Color	Natural
Housing Material	Nylon 6/6 GF

Dimensions

Wire Size	434.2 – 2723.5 CMA
-----------	--------------------

Usage Conditions

Operating Temperature Range	-40 – 105 °C[-40 – 221 °F]
-----------------------------	----------------------------

Operation/Application

Circuit Application	Power & Signal
---------------------	----------------

Industry Standards

UL Flammability Rating	UL 94V-0
Glow Wire Rating	GWT 750°C (Without Flame)

Packaging Features

Packaging Quantity	5000
Packaging Method	Box & Carton

Product Compliance

[For compliance documentation, visit the product page on TE.com>](#)

EU RoHS Directive 2011/65/EU	Compliant
EU ELV Directive 2000/53/EC	Compliant
China RoHS 2 Directive MIIT Order No 32, 2016	No Restricted Materials Above Threshold



EU REACH Regulation (EC) No. 1907/2006

Current ECHA Candidate List: JUNE 2024 (241)

Candidate List Declared Against: JUNE 2024 (241)

Does not contain REACH SVHC

Halogen Content

Not Low Halogen - contains Br or Cl > 900 ppm.

Solder Process Capability

Not reviewed for solder process capability

Product Compliance Disclaimer

This information is provided based on reasonable inquiry of our suppliers and represents our current actual knowledge based on the information they provided. This information is subject to change. The part numbers that TE has identified as EU RoHS compliant have a maximum concentration of 0.1% by weight in homogenous materials for lead, hexavalent chromium, mercury, PBB, PBDE, DBP, BBP, DEHP, DIBP, and 0.01% for cadmium, or qualify for an exemption to these limits as defined in the Annexes of Directive 2011/65/EU (RoHS2). Finished electrical and electronic equipment products will be CE marked as required by Directive 2011/65/EU. Components may not be CE marked. Additionally, the part numbers that TE has identified as EU ELV compliant have a maximum concentration of 0.1% by weight in homogenous materials for lead, hexavalent chromium, and mercury, and 0.01% for cadmium, or qualify for an exemption to these limits as defined in the Annexes of Directive 2000/53/EC (ELV). Regarding the REACH Regulation, the information TE provides on SVHC in articles for this part number is based on the latest European Chemicals Agency (ECHA) 'Guidance on requirements for substances in articles' posted at this URL: <https://echa.europa.eu/guidance-documents/guidance-on-reach>

Compatible Parts



TE Part # CAT-G7534-P729A
Glow Wire GRACE INERTIA Plug



TE Part # 2-2232876-1
GIC6.0MM CONNECTOR HEAD HOUSING ASS 2POS



TE Part # 3-2232876-1
GIC6.0MM CONNECTOR HEAD HOUSING ASS 3POS



TE Part # 1747049-1
GRACE INERTIA CONNECTOR 6.5 3POS HEADER



TE Part # CAT-G7534-H342
Glow Wire GRACE INERTIA Header



TE Part # 2-2232876-2
GIC6.0MM CONNECTOR HEAD HOUSING ASS 2POS

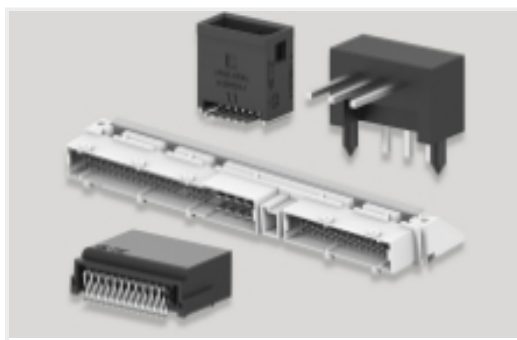


TE Part # 2-2232876-3
GIC6.0MM CONNECTOR HEAD HOUSING ASS 2POS



TE Part # 2-2232876-4
GIC6.0MM CONNECTOR HEAD HOUSING ASS 2POS

Also in the Series | GRACE INERTIA 6.0



PCB Headers & Receptacles(2)



Rectangular Power Connectors(2)

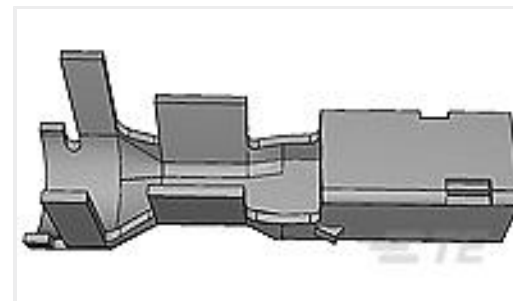
Customers Also Bought



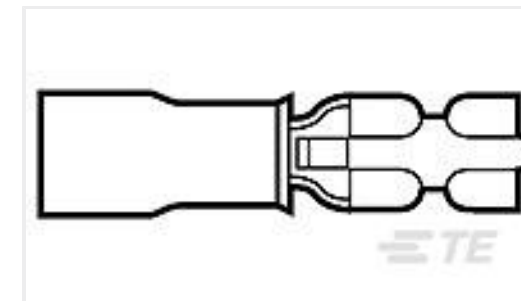
TE Part #363884-000
FL2500-NO.3-J1-0-STK



TE Part #1376348-1
5MM POWER KEY CONN REC CONT M



TE Part #1376347-1
5MM POWER KEY CONN REC CONT L



TE Part #640921-2
RECEPT, PIDG FASTON 22-18 110



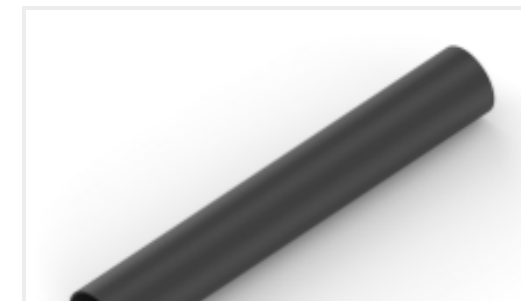
TE Part #1-1718628-1
AMP MCP 2.8 HSG. 4POS., ASS'Y



TE Part #1-1903414-1
GHC 9.0 3POS PLUG HSG RED



TE Part #1-968857-1
AMP MCP 2.8, CONTACT SWS



TE Part #NB17012001
DWP-125-1-1/2-0-STK

Documents

Product Drawings

[GIC6.0MM CONNECTOR PLUG HOUSING 2POS](#)

English

CAD Files

[3D PDF](#)

3D

Customer View Model

[ENG_CVM_CVM_2-2232875-1_A.2d_dxf.zip](#)

English

Customer View Model

[ENG_CVM_CVM_2-2232875-1_A.3d_igs.zip](#)

English

Customer View Model

[ENG_CVM_CVM_2-2232875-1_A.3d_stp.zip](#)

English

By downloading the CAD file I accept and agree to the [Terms and Conditions](#) of use.



Datasheets & Catalog Pages

[1-1773873-1 6.0mm GRACE INERTIA connector flyer](#)

English

[1-1773883-5 GRACE INERTIA connector quick reference guide](#)

English

Product Specifications

[Engineering Specification](#)

English