

60252-1 ✓ ACTIVE

FASTON | Special Purpose Terminals

TE Internal #: 60252-1

Receptacle, 22 – 18 AWG Wire Size, .51 – .82 mm² Wire Size, Mating Tab Width 2.62 mm [.103 in], Straight, Special Purpose Terminals, Quick Disconnects

[View on TE.com >](#)



Terminals & Splices > Quick Disconnects



Quick Disconnect Terminal Type: **Receptacle**

Wire Size: .51 – .82 mm²

Mating Tab Width: 2.62 mm [.103 in]

Mating Tab Thickness: .81 mm [.032 in]

Features

Contact Features

Quick Disconnect Terminal Type	Receptacle
Mating Tab Width	2.62 mm [.103 in]
Mating Tab Thickness	.81 mm [.032 in]
Terminal Orientation	Straight
Contact Base Material	Brass
Terminal Plating Material	Pre-Tin
Crimp Type	F-Crimp
Barrel Type	Open

Dimensions

Wire Size	.51 – .82 mm ²
Product Length	12.2 mm [.48 in]
Compatible Insulation Diameter Range	2.03 – 3.05 mm [.08 – .12 in]
Terminal Material Thickness	.25 mm [.01 in]

Packaging Features

Packaging Method	Strip/Reel
------------------	------------



Packaging Quantity	10000
--------------------	-------

Usage Conditions

Insulation Option	Uninsulated
Operating Temperature Range	-40 – 110 °C[-40 – 230 °F]

Other

EU RoHS Compliance	Compliant
EU ELV Compliance	Compliant
Line	Budget

Configuration Features

Compatible With Wire & Cable Type	Discrete Wire
Connection Capacity	Single

Termination Features

Product Terminates To	Wire & Cable
-----------------------	--------------

Mechanical Attachment

Wire Insulation Support	With
Mating Retention Type	Dimple

Industry Standards

Compatible With Agency/Standards Products	UL
---	----

Product Compliance

[For compliance documentation, visit the product page on TE.com>](#)

EU RoHS Directive 2011/65/EU	Compliant
EU ELV Directive 2000/53/EC	Compliant
China RoHS 2 Directive MIIT Order No 32, 2016	No Restricted Materials Above Threshold
EU REACH Regulation (EC) No. 1907/2006	Current ECHA Candidate List: JUNE 2024 (241) Candidate List Declared Against: JUNE 2024 (241) Does not contain REACH SVHC
Halogen Content	Low Halogen - Br, Cl, F, I < 900 ppm per homogenous material. Also BFR/CFR/PVC Free
Solder Process Capability	Not applicable for solder process capability

Product Compliance Disclaimer

This information is provided based on reasonable inquiry of our suppliers and represents our current actual knowledge based on the information they provided. This information is subject to change. The part numbers that TE has identified as EU RoHS compliant have a maximum concentration of 0.1% by weight in homogenous materials for lead, hexavalent chromium, mercury, PBB, PBDE, DBP, BBP, DEHP, DIBP, and 0.01% for cadmium, or qualify for an exemption to these limits as defined in the Annexes of Directive 2011/65/EU (RoHS2). Finished electrical and electronic equipment products will be CE marked as required by Directive 2011/65/EU. Components may not be CE marked. Additionally, the part numbers that TE has identified as EU ELV compliant have a maximum concentration of 0.1% by weight in homogenous materials for lead, hexavalent chromium, and mercury, and 0.01% for cadmium, or qualify for an exemption to these limits as defined in the Annexes of Directive 2000/53/EC (ELV). Regarding the REACH Regulation, the information TE provides on SVHC in articles for this part number is based on the latest European Chemicals Agency (ECHA) 'Guidance on requirements for substances in articles' posted at this URL: <https://echa.europa.eu/guidance-documents/guidance-on-reach>

Compatible Parts



Also in the Series | [Special Purpose Terminals](#)



PCB Terminals(2)



Quick Disconnects(9)

Customers Also Bought



TE Part #282107-1
AMP SUPERSEAL 1.5MM,
CONNECTOR HOUSING



TE Part #60620-1
CMNL PIN 20-14 TPBR L/P



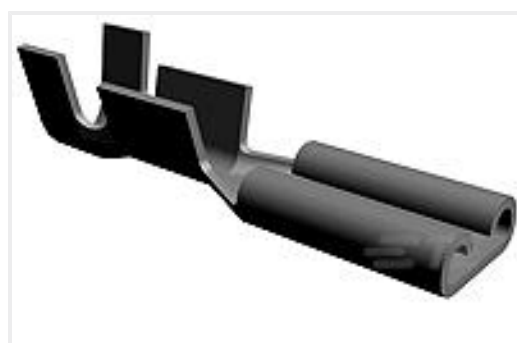
TE Part #1658622-5
24 NOVO MIL/CTR 30DP, LEAD FREE



TE Part #170021-1
SHUR PLUG RECEPTACLE 20-16 AWG
TPBR



TE Part #170021-2
SHUR PLUG RECEPTACLE 20-16 AWG
TPBR



TE Part #63391-2
093 FASTON TAB REC 22-18 AWG
TPBR



TE Part #YDTS33W25RV0010000
DUST COVER ASSEM

Documents

Product Drawings

[103 FASTON REC 22-18 AWG TPBR](#)

English

CAD Files

Customer View Model

[ENG_CVM_CVM_60252-1_T.2d_dxf.zip](#)

English

3D PDF

3D

Customer View Model

[ENG_CVM_CVM_60252-1_T.3d_igs.zip](#)

English

Customer View Model

[ENG_CVM_CVM_60252-1_T.3d_stp.zip](#)

English

By downloading the CAD file I accept and agree to the [Terms and Conditions](#) of use.



Datasheets & Catalog Pages

[82004 FASTON Terminals \(Insulated and Uninsulated\) Catalog - FASTON Receptacles Section](#)

English

Product Specifications

[Application Specification](#)

English