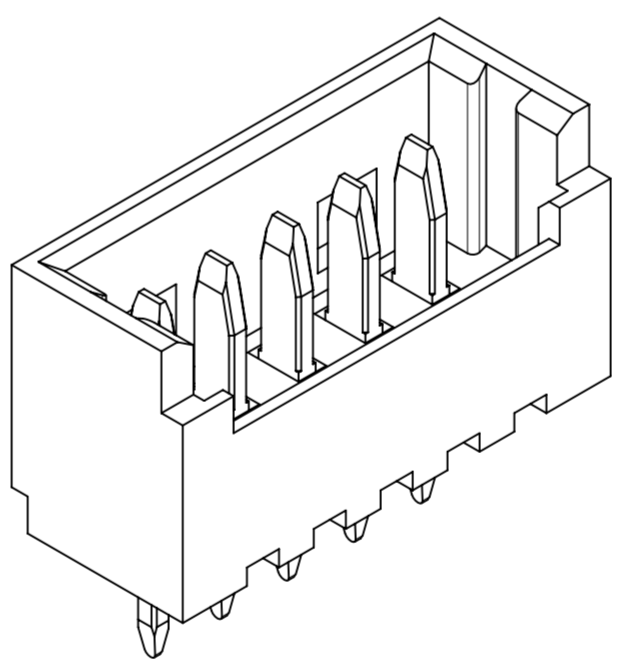
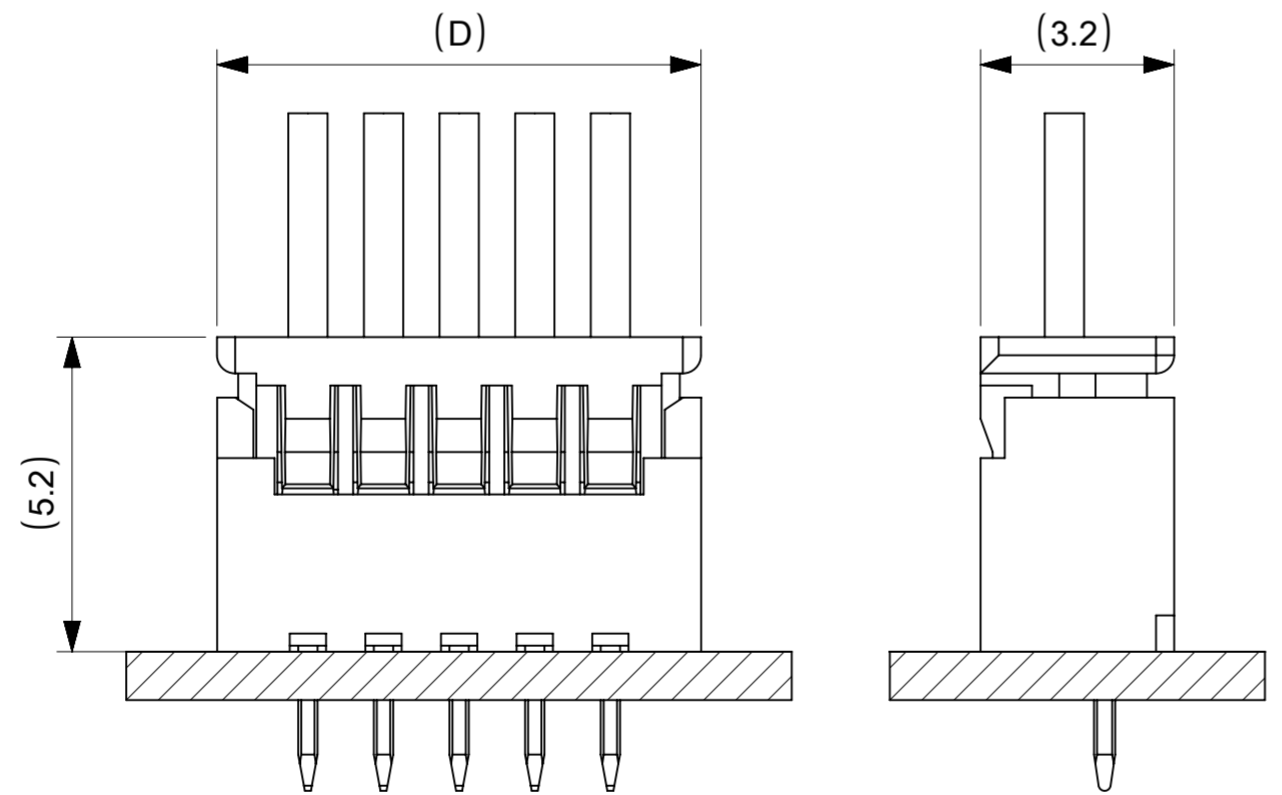
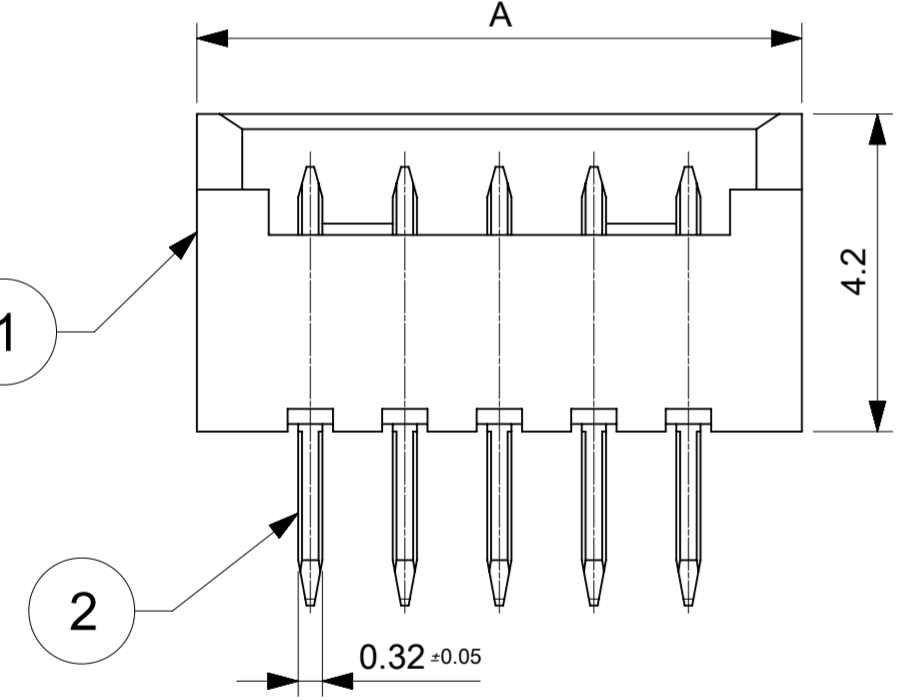
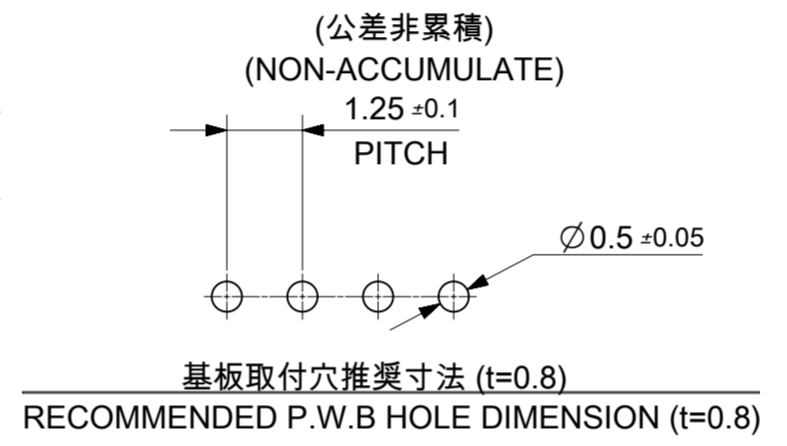
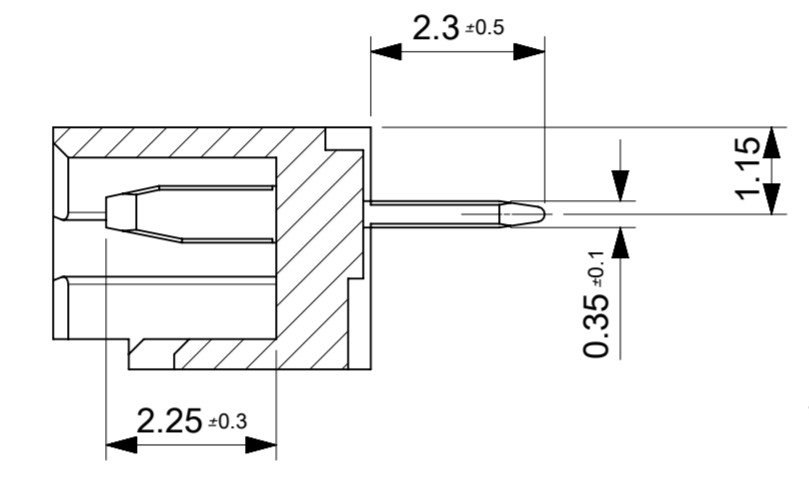
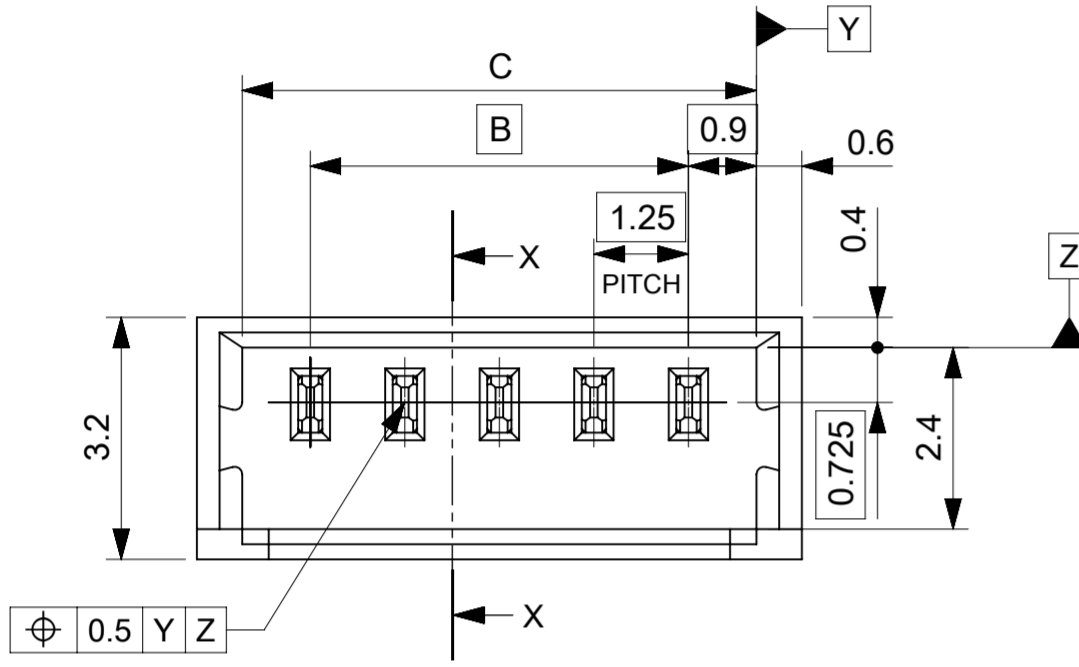


注記 NOTES

- △1 ロック窓 LOCKING WINDOW:
ロック窓は、2、3極では1ヶ所、4極以上では2ヶ所とする。
ONE PLACE FOR 2 AND 3 CIRCUIT.
TWO PLACES FOR 4 CIRCUIT AND MORE.
- △2 材料およびめっき仕様：TABLE1参照
MATERIAL AND PLATING: REFER TO TABLE1
- 3 本製品は金めっき品です。錫めっき品は530470000-SDをご参照ください。
THIS PRODUCT IS GOLD PLATING TYPE.
PLEASE REFER TO 530470000-SD FOR TIN PLATING TYPE.
- △4 適用製品及び各種仕様書はSHEET 2を参照のこと
REFER TO SHEET 2 ABOUT APPLICABLE PRODUCTS
AND VARIOUS SPECIFICATIONS
- △5 発注番号
ORDER NUMBER

53047* * *0

極数 CIRCUIT	番号	接点部 金めっき厚 CONTACT GOLD PLATING THICKNESS
	6	FLASH
7	0.38 micro-meters MIN	



20.5	19.3	17.5	20.5	530471560	15
19.25	18.05	16.25	19.25	530471460	14
18	16.8	15	18	530471360	13
16.75	15.55	13.75	16.75	530471260	12
15.5	14.3	12.5	15.5	530471160	11
14.25	13.05	11.25	14.25	530471060	10
13	11.8	10	13	530470960	9
11.75	10.55	8.75	11.75	530470860	8
10.5	9.3	7.5	10.5	530470760	7
9.25	8.05	6.25	9.25	530470660	6
8	6.8	5	8	530470560	5
6.75	5.55	3.75	6.75	530470460	4
5.5	4.3	2.5	5.5	530470360	3
4.25	3.05	1.25	4.25	530470260	2
D	C	B	A	GOLD PLATING THICKNESS FLASH	
				△5 オーダー番号 ORDER NO.	
				梱包形態：トレイ梱包 PACKAGING: PLASTIC TRAY	
				極数 CRICUIT	

△2 TABLE1

番号 NO.	部品 PART	材質 MATERIAL		
①	ハウジング HOUSING	ポリアミド(PA), UL94V-0, GLASS-FILLED, 色: ナチュラル(ホワイト) POLYAMIDE(PA), UL94V-0, GLASS-FILLED, COLOR: NATURAL (WHITE)		
②	ターミナル TERMINAL	母材 MATERIAL	りん青銅 PHOSPHOR BRONZE	
		コンタクト部 CONTACT AREA	金めっき：めっき厚は注記5参照 GOLD PLATING PLATING THICKNESS：SEE NOTE 5.	
		テール部 TAIL AREA	無光沢錫めっき 1.0 micro-meters MIN MATTE TIN PLATING 1.0 micro-meters MIN	
		下地めっき UNDER PLATING	ニッケルめっき 1.0 micro-meters MIN NICKEL PLATING 1.0 micro-meters MIN	
DOCUMENT STATUS		P1	RELEASE DATE	2024/11/19 08:37:23

嵌合図
MATED CONNECTORES

THIS DRAWING CONTAINS INFORMATION THAT IS PROPRIETARY TO MOLEX ELECTRONIC TECHNOLOGIES, LLC AND SHOULD NOT BE USED WITHOUT WRITTEN PERMISSION

DIMENSION UNITS	SCALE	CURRENT REV DESC: REMOVED OBSOLETE PART NUMBERS AS PER PCN#514356.	
mm	NTS		
GENERAL TOLERANCES (UNLESS SPECIFIED)			
ANGULAR TOL	± 3.0°	EC NO: 803783	
4 PLACES	± 0.2	DRWN: RAVINR1	2024/11/05
3 PLACES	± 0.2	CHK'D: GGA	2024/11/19
2 PLACES	± 0.2	APPR: GGA	2024/11/19
1 PLACE	± 0.2	INITIAL REVISION:	
0 PLACES	± 0.2	DRWN: QHE31	2020/08/03
DRAFT WHERE APPLICABLE MUST REMAIN WITHIN DIMENSIONS		APPR: KOMURAKAMI	2021/05/27
THIRD ANGLE PROJECTION	DRAWING	SERIES	MATERIAL NUMBER
	A2-SIZE	53047	SEE CHART
		CUSTOMER	SHEET NUMBER
		GENERAL	1 OF 2

molex

PICOBLADE 1.25
HEADER ASSY TH VERTICAL GOLD PLATING TYPE

PRODUCT CUSTOMER DRAWING

DOCUMENT NUMBER	DOC TYPE	DOC PART	REVISION
530470001-SD	PSD	000	B1

△ 4 適合製品および各種仕様書
 APPLICABLE PRODUCTS AND SPECIFICATIONS

梱包仕様書 PACKING SPECIFICATION	PART NUMBER			SPECIFICATION NUMBER		
	53047****			SPK-53047-001		
適合嵌合相手 MATE WITH	HOUSING		CRIMP TERMINAL			
	51021****	WIRE SIZE (AWG)	GOLD PLATING THICKNESS		PART NUMBER	
		#28-32	FLASH		500588020	
			0.38 micro-meters		500588025	
		#26-28	FLASH		500798020	
0.38 micro-meters			500798025			
製品仕様書 PRODUCT SPECIFICATION	510210000-PS PS 001					
アプリケーション仕様書 (取扱説明書) APPLICATION SPECIFICATION	510210000-AS PS 000					

THIS DRAWING CONTAINS INFORMATION THAT IS PROPRIETARY TO MOLEX ELECTRONIC TECHNOLOGIES, LLC AND SHOULD NOT BE USED WITHOUT WRITTEN PERMISSION

DIMENSION UNITS mm	SCALE NTS	CURRENT REV DESC: REMOVED OBSOLETE PART NUMBERS AS PER PCN#514356.		molex				
GENERAL TOLERANCES (UNLESS SPECIFIED)		EC NO: 803783						PICOBLADE 1.25 HEADER ASSY TH VERTICAL GOLD PLATING TYPE
ANGULAR TOL ± 3.0°	4 PLACES ± 0.2	DRWN: RAVINR1	2024/11/05	PRODUCT CUSTOMER DRAWING				
3 PLACES ± 0.2	2 PLACES ± 0.2	CHK'D: GGA	2024/11/19	DOCUMENT NUMBER				
1 PLACE ± 0.2	0 PLACES ± 0.2	APPR: GGA	2024/11/19	530470001-SD		DOC TYPE PSD	DOC PART 000	REVISION B1
DRAFT WHERE APPLICABLE MUST REMAIN WITHIN DIMENSIONS		INITIAL REVISION: DRWN: QHE31 APPR: KOMURAKAMI	2020/08/03 2021/05/27	MATERIAL NUMBER	CUSTOMER	SHEET NUMBER		
		THIRD ANGLE PROJECTION	DRAWING A2-SIZE	SERIES 53047	GENERAL	2 OF 2		