



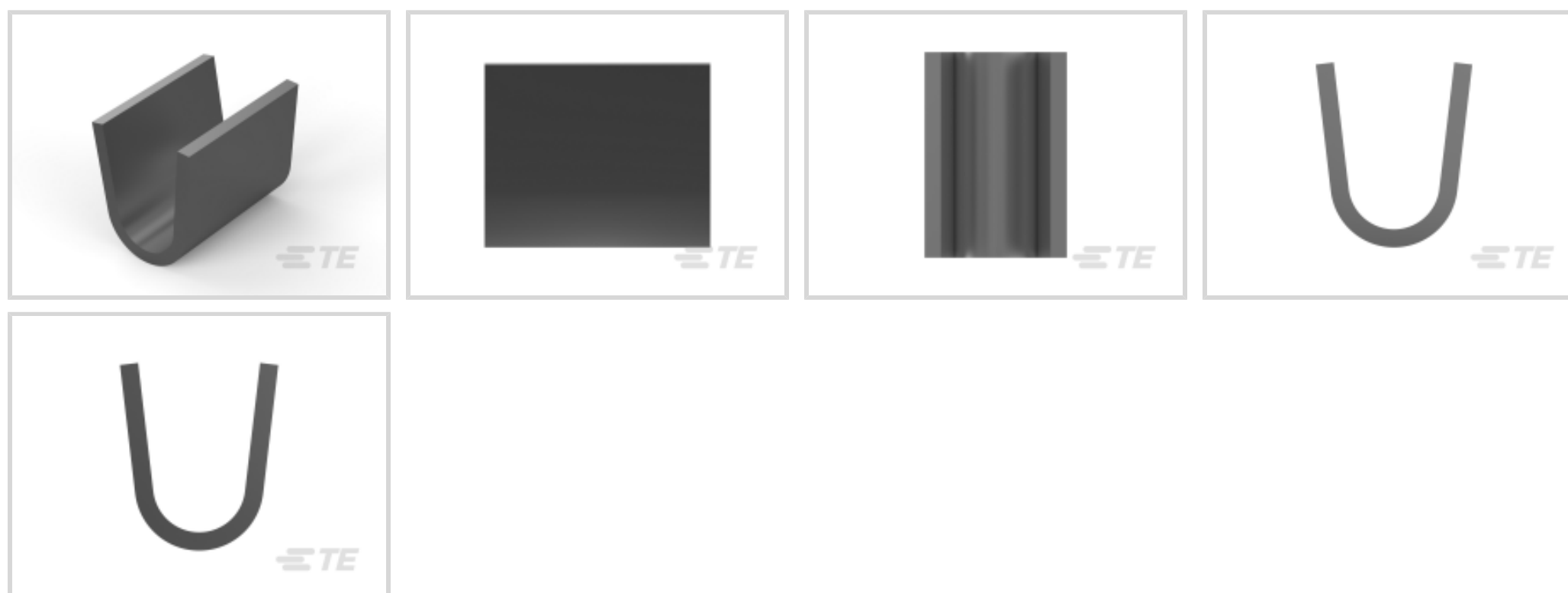
**SPLICE**

TE Internal #: 485043-2

Pigtail Splice / Thru Splice, Serrated, 4000 – 9000 CMA Wire Size, Brass, 4 Serration, Length 6.35 mm [.25 in], Reel, Open, SPLICE, Splices

[View on TE.com >](#)

Terminals & Splices > Splices



Splice Type: **Pigtail Splice, Thru Splice**

Sealable: **No**

Splice Features: **Serrated**

Wire Size: **4000 – 9000 CMA**

Contact Base Material: **Brass**

**Features**

**Packaging Features**

Packaging Quantity	2500
Packaging Method	Reel

**Body Features**

Product Weight	1.593 g[.056 oz]
Splice Features	Serrated

**Product Type Features**

Splice Type	Pigtail Splice, Thru Splice
Sealable	No
Compatible With Discrete Wire Type	Solid, Stranded
Wire Insulation Support Retention Type	Non-Insulation Support

**Configuration Features**

Number of Serrations	4
Compatible With Wire & Cable Type	Discrete Wire



### Contact Features

Contact Base Material	Brass
Barrel Type	Open

### Mechanical Attachment

Wire Insulation Support	Without
-------------------------	---------

### Dimensions

Wire Size	4000 – 9000 CMA
Terminal Material Thickness	.51 mm[.02 in]
Product Length	6.35 mm[.25 in]

### Usage Conditions

Insulation Option	Uninsulated
Operating Temperature Range	-40 – 110 °C[-40 – 230 °F]

### Operation/Application

Compatible With Wire Base Material	Copper
------------------------------------	--------

### Industry Standards

Government Qualified Splice	No
-----------------------------	----

### Other

EU RoHS Compliance	Compliant
EU ELV Compliance	Compliant

### Product Compliance

[For compliance documentation, visit the product page on TE.com>](#)

EU RoHS Directive 2011/65/EU	Compliant
EU ELV Directive 2000/53/EC	Compliant
China RoHS 2 Directive MIIT Order No 32, 2016	No Restricted Materials Above Threshold
EU REACH Regulation (EC) No. 1907/2006	Current ECHA Candidate List: JUNE 2024 (241) Candidate List Declared Against: JUNE 2024 (241) Does not contain REACH SVHC
Halogen Content	Low Halogen - Br, Cl, F, I < 900 ppm per homogenous material. Also BFR/CFR/PVC Free
Solder Process Capability	Not applicable for solder process capability

Product Compliance Disclaimer

This information is provided based on reasonable inquiry of our suppliers and represents our current actual knowledge based on the information they provided. This information is subject to change. The part numbers that TE has identified as EU RoHS compliant have a maximum concentration of 0.1% by weight in homogenous materials for lead, hexavalent chromium, mercury, PBB, PBDE, DBP, BBP, DEHP, DIBP, and 0.01% for cadmium, or qualify for an exemption to these limits as defined in the Annexes of Directive 2011/65/EU (RoHS2). Finished electrical and electronic equipment products will be CE marked as required by Directive 2011/65/EU. Components may not be CE marked. Additionally, the part numbers that TE has identified as EU ELV compliant have a maximum concentration of 0.1% by weight in homogenous materials for lead, hexavalent chromium, and mercury, and 0.01% for cadmium, or qualify for an exemption to these limits as defined in the Annexes of Directive 2000/53/EC (ELV). Regarding the REACH Regulation, the information TE provides on SVHC in articles for this part number is based on the latest European Chemicals Agency (ECHA) 'Guidance on requirements for substances in articles' posted at this URL: <https://echa.europa.eu/guidance-documents/guidance-on-reach>

## Compatible Parts



TE Part # 2151547-1  
OCEAN\_2.0\_Applicator-S-140F-RSM



**KIT**  
REPRESENTATION ONLY

TE Part # 7-2151547-7  
OCEAN\_2.0\_SPARE\_PART\_KIT-140F



TE Part # 140723-2  
SPLICE 22-16 AWG .02 TPBR



TE Part # 2151547-2  
OCEAN\_2.0\_Applicator-S-140F-RSA



TE Part # 2305570-1  
Strip Terminal Cutter-Side Feed-No Crimp

## Also in the Series | SPLICE

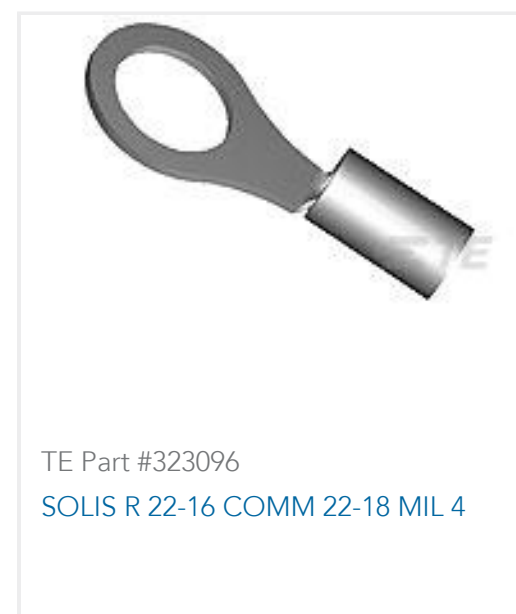
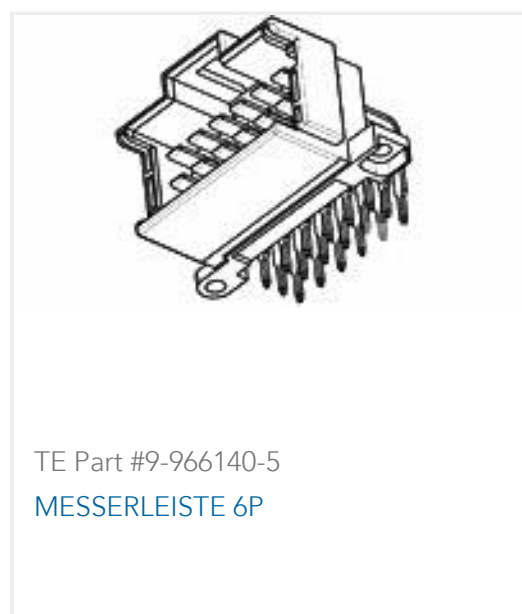


Crimp Wire Pins, Tabs & Ferrules(1)



Splices(63)

## Customers Also Bought



## Documents

### Product Drawings

[SPLICE 4000-9000 .020 TPBR](#)

English

### CAD Files

[3D PDF](#)

3D

Customer View Model

[ENG\\_CVM\\_CVM\\_485043-2\\_AG\\_c-485043-2-ag.2d\\_dxf.zip](#)

English

Customer View Model

[ENG\\_CVM\\_CVM\\_485043-2\\_AG\\_c-485043-2-ag.3d\\_igs.zip](#)

English

Customer View Model

[ENG\\_CVM\\_CVM\\_485043-2\\_AG\\_c-485043-2-ag.3d\\_stp.zip](#)

English

By downloading the CAD file I accept and agree to the [Terms and Conditions](#) of use.

## Product Specifications



### Application Specification

English

---

### Agency Approvals

#### CSA Certificate

English