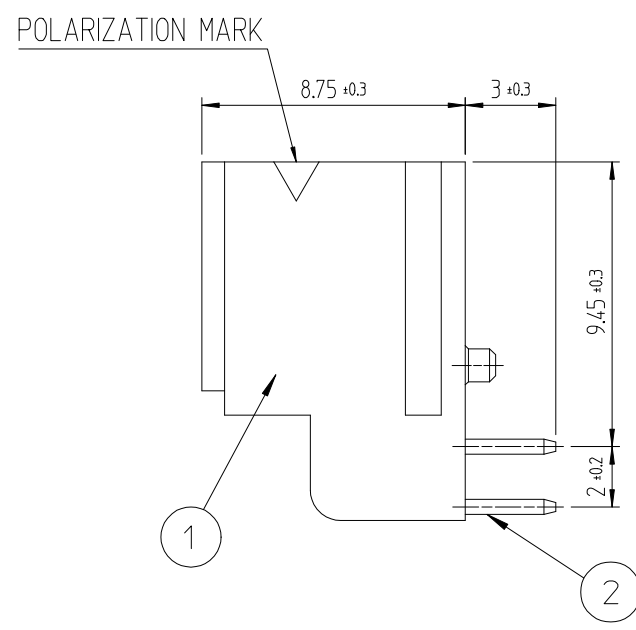
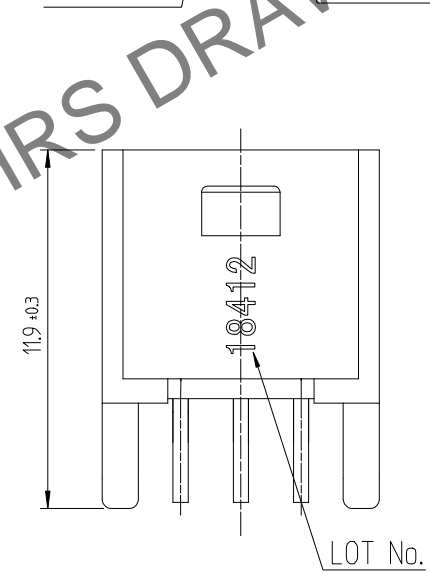
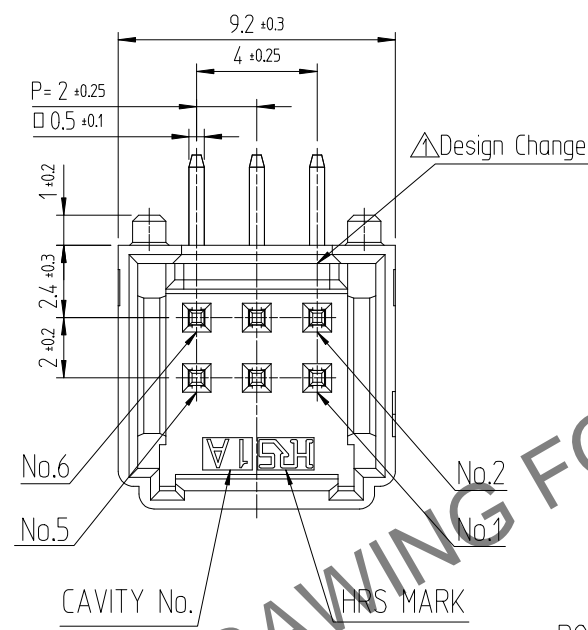


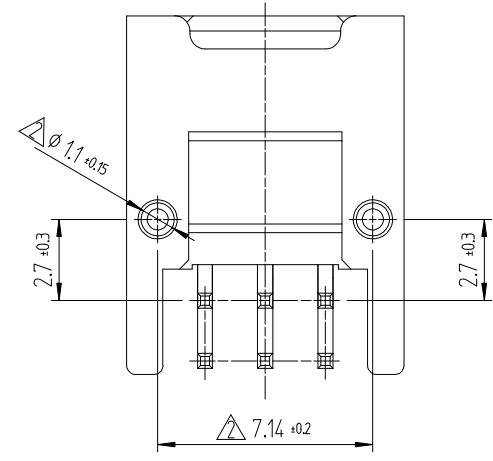
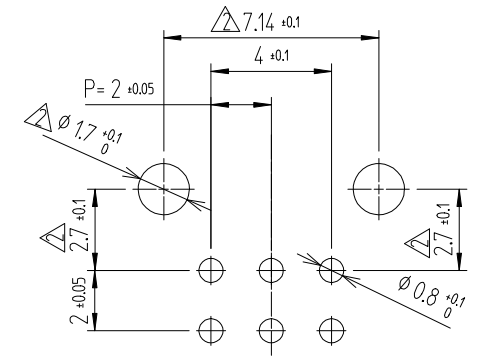
Oct.1.2024 Copyright 2024 HIROSE ELECTRIC CO., LTD. All Rights Reserved.
In case of consideration for using Automotive equipment / device which demand high reliability, kindly contact our sales window

HRS DRAWING FOR REFERENCE

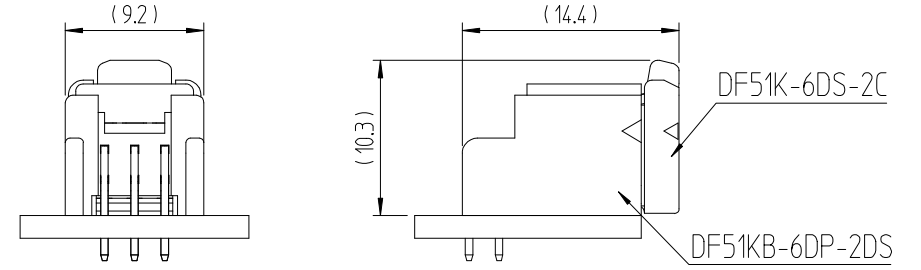


△數	訂正事項	擔當	檢圖	年月日	△數	訂正事項	擔當	檢圖	年月日
COUNT	DESCRIPTION OF REVISIONS	B	CHKD	DATE	COUNT	DESCRIPTION OF REVISIONS	B	CHKD	DATE
1	RE-6-1150	K.I.Y	L.S.M	18. 07. 04					
6	RE-6-1435	K.Y.H	L.S.M	19. 06. 19					
1	RE-6-1579	K.I.Y	L.S.M	20. 01. 23					

RECOMMENDED LAND PATTERN (FREE)
(PCB THICKNESS t=1.6mm)



ENGAGEMENT FIGURE (2:1)



NOTE 1. 1PACK CONTAINS 330PCS.
2. () DIMENSIONS ARE ONLY REFERENCE.
3. UL(File No. E132750) AUTHORIZATION ARTICLE.
C-UL(File No. E132750) AUTHORIZATION ARTICLE.



1	PBT	UL94V-0, BLACK	2	BRASS	GOLD PLATING 0.1μm MIN, OVER NICKEL 0.5μm MIN
NO.	MATERIAL	FINISH,REMARKS	NO.	MATERIAL	FINISH,REMARKS
CODE NO. (OLD)			DRAWN	DESIGNED	CHECKED
			CHOI 18.03.02 J.S	CHOI 18.03.02 J.S	LIM 18.03.02 S.M
			APPROVED		RELEASED
			KANG 18.03.02 T.S		ENG 20.02.12 DEPT
DRAWING NO. EDC3-632588			PART NO. DF51KB-6DP-2DS(805)		
SCALE 4:1			CODE NO. CL 6652-0057-6-805		
UNITS mm			HRS HIROSE KOREA CO.,LTD.		
					1/1