



TE Internal #: 3-88179-2
 Housing, Wire-to-Board, 6 Position, 2.54 mm [.1 in] Centerline, 2
 Row, Socket, Package, Mating Retention, Normal, Mating
 Alignment, FFC Connectors

[View on TE.com >](#)

Connectors > PCB Connectors > Wire-to-Board Connectors > FFC, FPC & Ribbon Connectors > FFC Connectors >

2.54mm FFC Connectors Receptacle Housing



FFC Connector Product Type: **Housing**

Connector System: **Wire-to-Board**

Number of Positions: **6**

Centerline (Pitch): **2.54 mm [.1 in]**

Number of Rows: **2**

[All 2.54mm FFC Connectors Receptacle Housing \(143\)](#)

Features

Product Type Features

FFC Connector Product Type	Housing
Connector System	Wire-to-Board
Insertion Force Type	Normal
Connector & Contact Terminates To	Wire & Cable
Connector & Housing Type	Receptacle

Configuration Features

Number of Positions	6
Number of Rows	2

Housing Features

Centerline (Pitch)	2.54 mm[.1 in]
FFC Cable Entry	Straight
Housing Material	Nylon - GF

Contact Features

Contact Type	Socket
--------------	--------

Packaging Features

Packaging Method	Package
------------------	---------



Packaging Quantity	1
--------------------	---

Mechanical Attachment

Mating Retention	With
Mating Alignment	With
Panel Mount Feature	Without
Connector Mounting Type	Cable Mount (Free-Hanging)
Mating Alignment Type	Polarization
Mating Retention Type	Detent Window

Body Features

Primary Product Color	Black
-----------------------	-------

Usage Conditions

Operating Temperature Range	-65 – 105 °C[-85 – 221 °F]
-----------------------------	----------------------------

Other

EU RoHS Compliance	Compliant
EU ELV Compliance	Compliant

Electrical Characteristics

Operating Voltage	300 VAC
Insulation Resistance	5000 MΩ
Dielectric Withstanding Voltage (Max)	720 VAC

Dimensions

Row-to-Row Spacing	2.54 mm[.1 in]
--------------------	----------------

Operation/Application

Circuit Application	Signal
---------------------	--------

Industry Standards

UL Flammability Rating	UL 94V-0
------------------------	----------

Product Compliance

[For compliance documentation, visit the product page on TE.com>](#)

EU RoHS Directive 2011/65/EU	Compliant
EU ELV Directive 2000/53/EC	Compliant
China RoHS 2 Directive MIIT Order No 32, 2016	No Restricted Materials Above Threshold
EU REACH Regulation (EC) No. 1907/2006	



Current ECHA Candidate List: JUNE 2024 (241)

Candidate List Declared Against: JUNE 2024 (241)

Does not contain REACH SVHC

Halogen Content

BFR/CFR/PVC Free, but Br/Cl >900 ppm in other sources.

Solder Process Capability

Not applicable for solder process capability

Product Compliance Disclaimer

This information is provided based on reasonable inquiry of our suppliers and represents our current actual knowledge based on the information they provided. This information is subject to change. The part numbers that TE has identified as EU RoHS compliant have a maximum concentration of 0.1% by weight in homogenous materials for lead, hexavalent chromium, mercury, PBB, PBDE, DBP, BBP, DEHP, DIBP, and 0.01% for cadmium, or qualify for an exemption to these limits as defined in the Annexes of Directive 2011/65/EU (RoHS2). Finished electrical and electronic equipment products will be CE marked as required by Directive 2011/65/EU. Components may not be CE marked. Additionally, the part numbers that TE has identified as EU ELV compliant have a maximum concentration of 0.1% by weight in homogenous materials for lead, hexavalent chromium, and mercury, and 0.01% for cadmium, or qualify for an exemption to these limits as defined in the Annexes of Directive 2000/53/EC (ELV). Regarding the REACH Regulation, the information TE provides on SVHC in articles for this part number is based on the latest European Chemicals Agency (ECHA) 'Guidance on requirements for substances in articles' posted at this URL: <https://echa.europa.eu/guidance-documents/guidance-on-reach>

Compatible Parts



TE Part # CAT-F439-S01339254
2.54mm FFC Connectors Socket Contacts



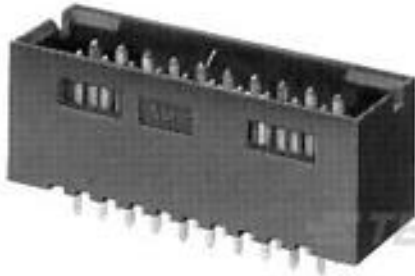
TE Part # CAT-F439-S01339127
1.27mm FFC Connectors Socket Contacts



TE Part # CAT-F439-P65127
FFC Connector Pin Contacts, 1.27 mm



TE Part # CAT-F439-P65254
2.54mm FFC Connectors Pin Contacts



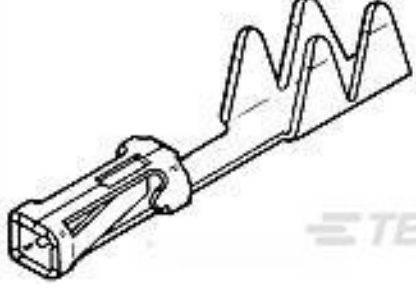
TE Part # 5-102619-1
06 MODII HDR DRST SHRD .100CL



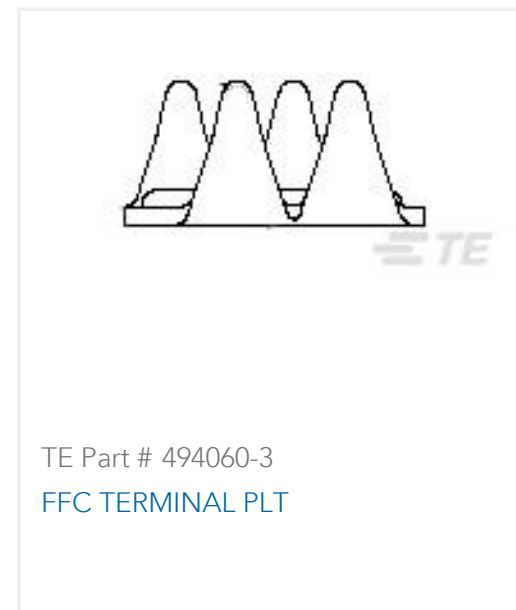
TE Part # 3-88189-2
006 HOUSING FFC PIN DR 100CL



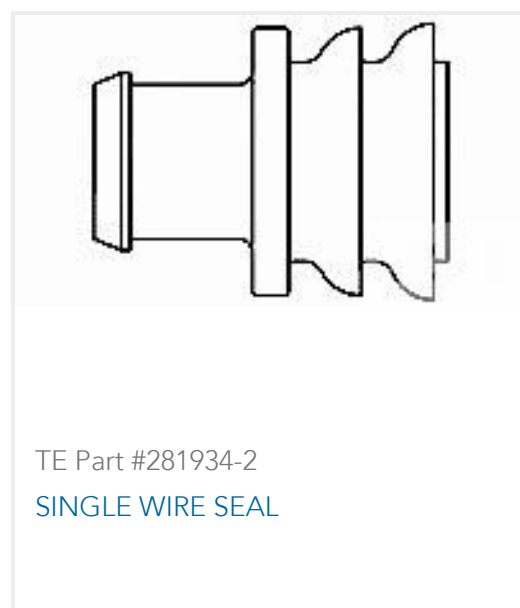
TE Part # 103169-1
06 MODII HDR DRST SHRD .100CL



TE Part # 1761852-1
FFC RCPT HP 100SNPB RL NO LUBE



Customers Also Bought



Documents

Product Drawings

[006 HOUSING FFC RCPT DR 100CL](#)

English

CAD Files

[3D PDF](#)

3D

Customer View Model

[ENG_CVM_CVM_3-88179-2_AZ_c-3-88179-2-az.2d_dxf.zip](#)

English

Customer View Model

[ENG_CVM_CVM_3-88179-2_AZ_c-3-88179-2-az.3d_igs.zip](#)

English

Customer View Model

[ENG_CVM_CVM_3-88179-2_AZ_c-3-88179-2-az.3d_stp.zip](#)

English

By downloading the CAD file I accept and agree to the [Terms and Conditions](#) of use.



Product Specifications

Application Specification

English

Instruction Sheets

Instruction Sheet (U.S.)

English

Extraction Tool for Flexible Flat Cable (FFC)

English

Instruction Sheet (U.S.)

English

Extraction Tools

English

Agency Approvals

CSA Certificate

English