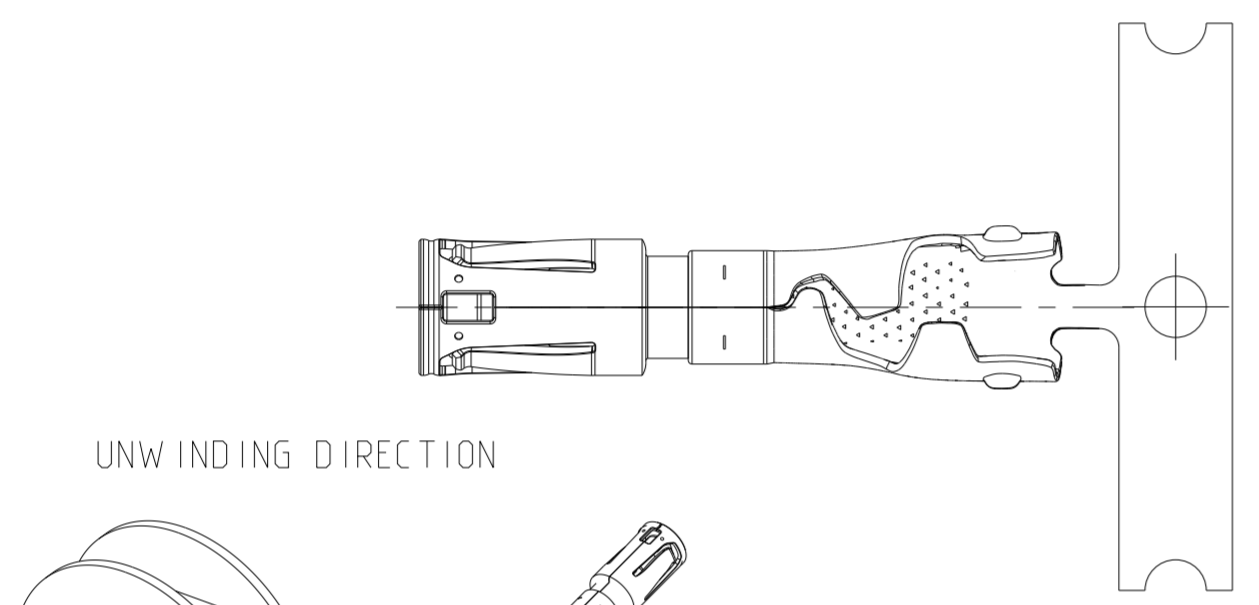
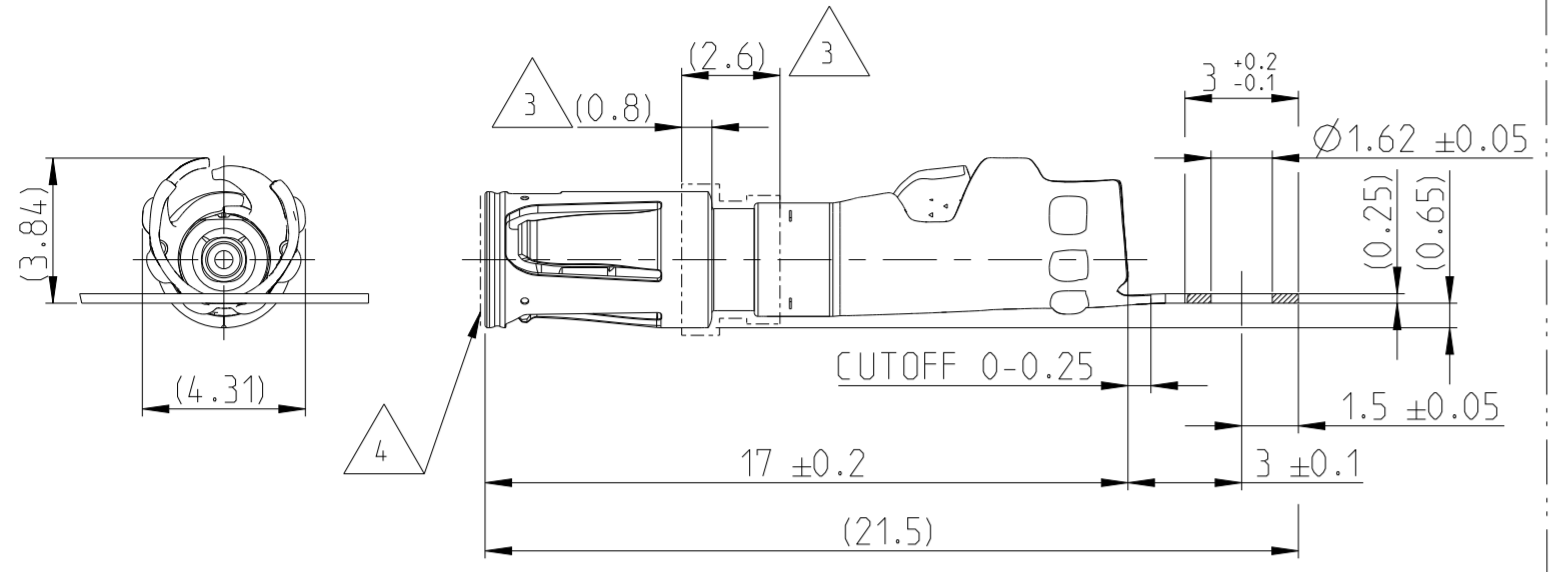


REVISIONS				
P	LTR	DESCRIPTION	DATE	APVD
A1		DRAWING UPDATE	15OCT2018	MW CS
A2		ADDED 2298509-2	06MAR2019	NR CS
A3		GAP SIZE TOL ADDED	21SEP2021	SA CS
A4		Dim 3.55 +/-0.1 was 3.4 +0.25	16AUG2022	DK CS

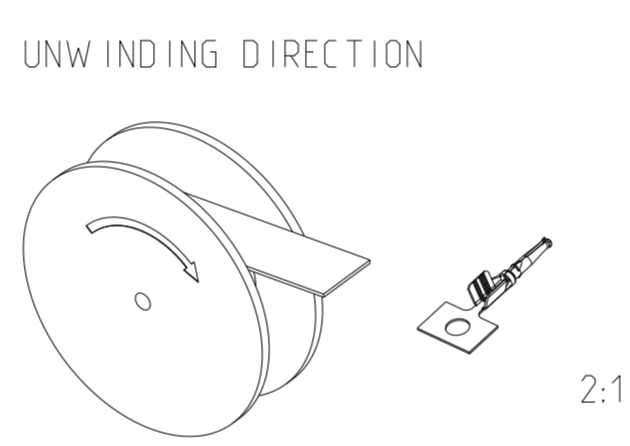
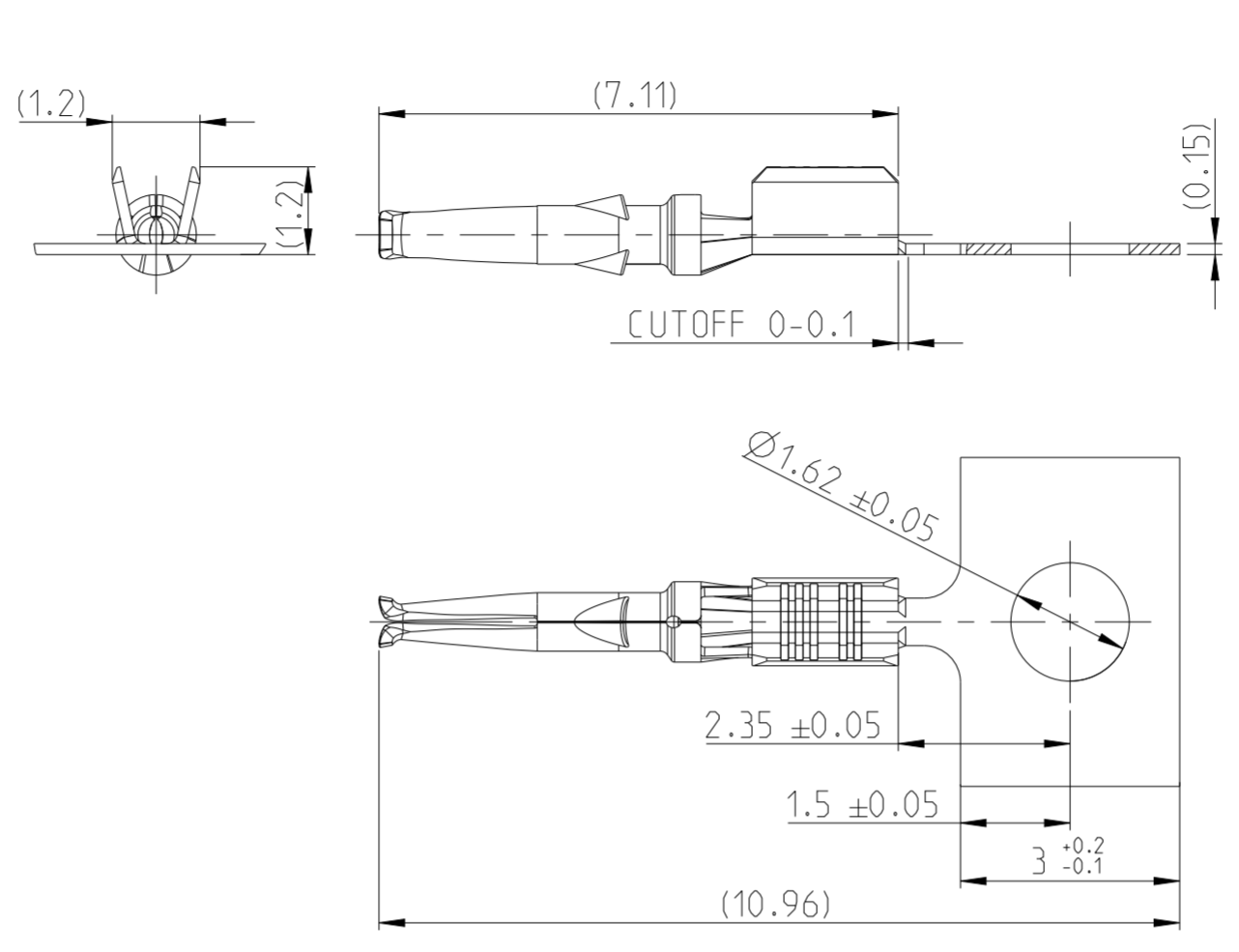
1

SUBASSY SOCKET OUTER CONTACT  
 Subassy Buchsenkontakt SECTION Q-Q



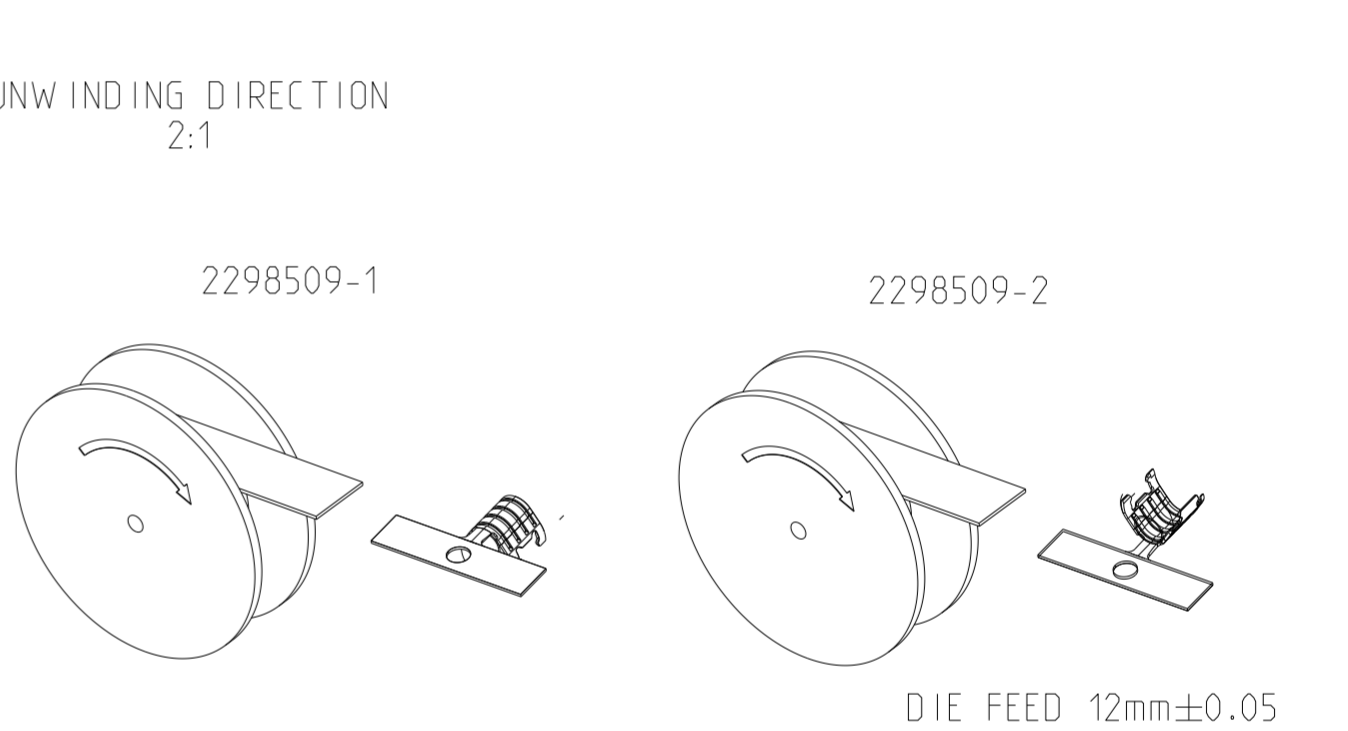
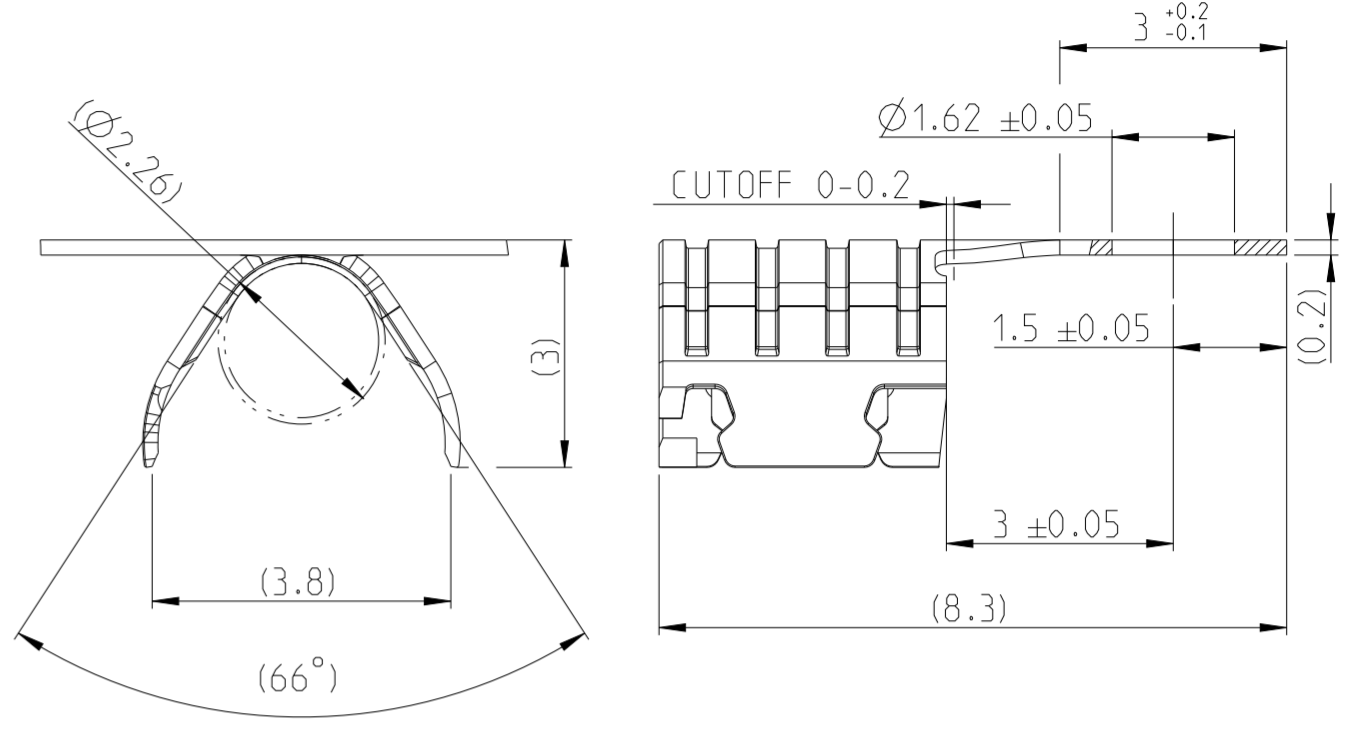
2

SOCKET CENTER CONTACT  
 Innenleiter Buchsenkontakt



3

FERRULE  
 Stuetzhuelse



NOTES  
 Bemerkungen

- 1 WEIGHT WITHOUT CARRIER STRIP  
Gewicht ohne Traegerstreifen
- 2 CONTACT KIT PART NUMBER FOR REFERENCE ONLY  
COMPONENTS MUST BE PURCHASED SEPARATELY  
Kontaktkit Teilenummer nur zur Referenz  
Komponenten sind einzeln zu bestellen
- 3 ALLOWED AREA FOR CONTACT GRIPPING  
FOR CABLE TERMINATION  
Zulaessiger Bereich zum Greifen des  
Kontaktes bei der Kabelverarbeitung
- 4 DURING THE PROCESSING, THE CONTACT  
MAY BE LOADED WITH MAX. 30N IN AXIAL DIRECTION  
Bei der Verarbeitung darf der Kontakt an  
gezeigtger Stelle axial mit max. 30N belastet weden
- 5 ALTERNATIVE 2298509-2 (=2298509-1 IN OPPOSITE REELING DIRECTION)  
Alternativ 2298509-2 (=2298509-1 in entgegengesetzter Wickelrichtung)

CONTACT KIT PART NUMBER	PIECE Stueck	COMPONENT PART NUMBER	REV.	DESCRIPTION Benennung	MATERIAL Werkstoff	SURFACE Oberflaeche	WEIGHT (g)	ITEM Pos.
2298510-1	1	2298509-1	B	FERRULE, RG174 Stuetzhuelse	STAINLESS STEEL	PLAIN Blank	0.038	3
	1	2298496-1	B	SOCKET CENTER CONTACT, RG174 Innenleiterbuchsenkontakt	CuSn	Ag	0.02	2
	1	2298494-1	A	SUBASSEMBLY, RG174 SOCKET CONTACT	CuSn	Sn	0.36	1
				Socket Outer Contact	CuSn	Sn		
				Dielectric	PBT	Blue RAL 5012 Similar		

THIS DRAWING IS A CONTROLLED DOCUMENT.

DIMENSIONS: mm

TOLERANCES UNLESS OTHERWISE SPECIFIED:

0 PLC	+0.2
1 PLC	+0.1
2 PLC	+0.1
3 PLC	±
4 PLC	±
ANGLES	±°
FINISH	-

MATERIAL: -

APVD: K.Weinberger, G.v.d.Burgl, C.Schrettlinger

PRODUCT SPEC: 108-94515

APPLICATION SPEC: 114-94413

WEIGHT: -

CUSTOMER DRAWING

NAME: MATE-AX 180DEG SOCKET CONTACT, ASSY  
MATE-AX 180Grad Buchsenkontakt, Assy  
CABLE RG174

SIZE: A2

CAGE CODE: 00779

DRAWING NO: C-2298510

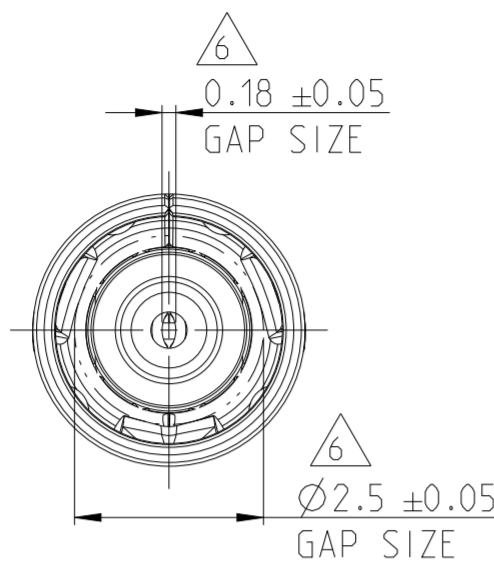
RESTRICTED TO: -

SCALE: 5:1

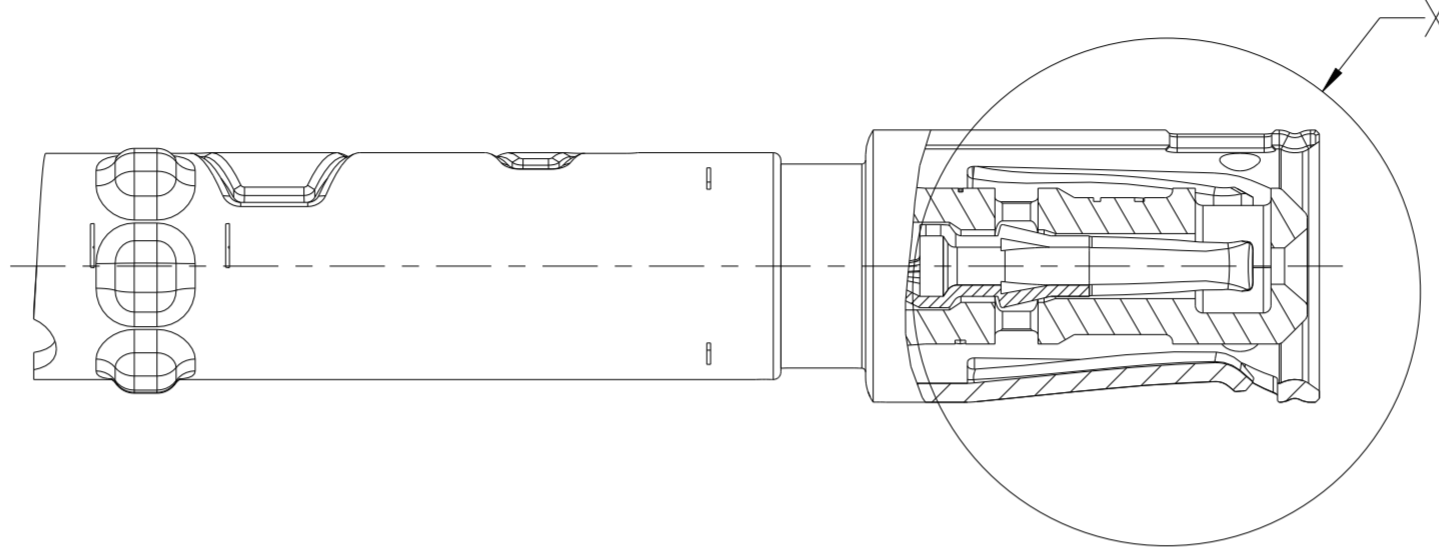
SHEET: 1 OF 2

REV: A4

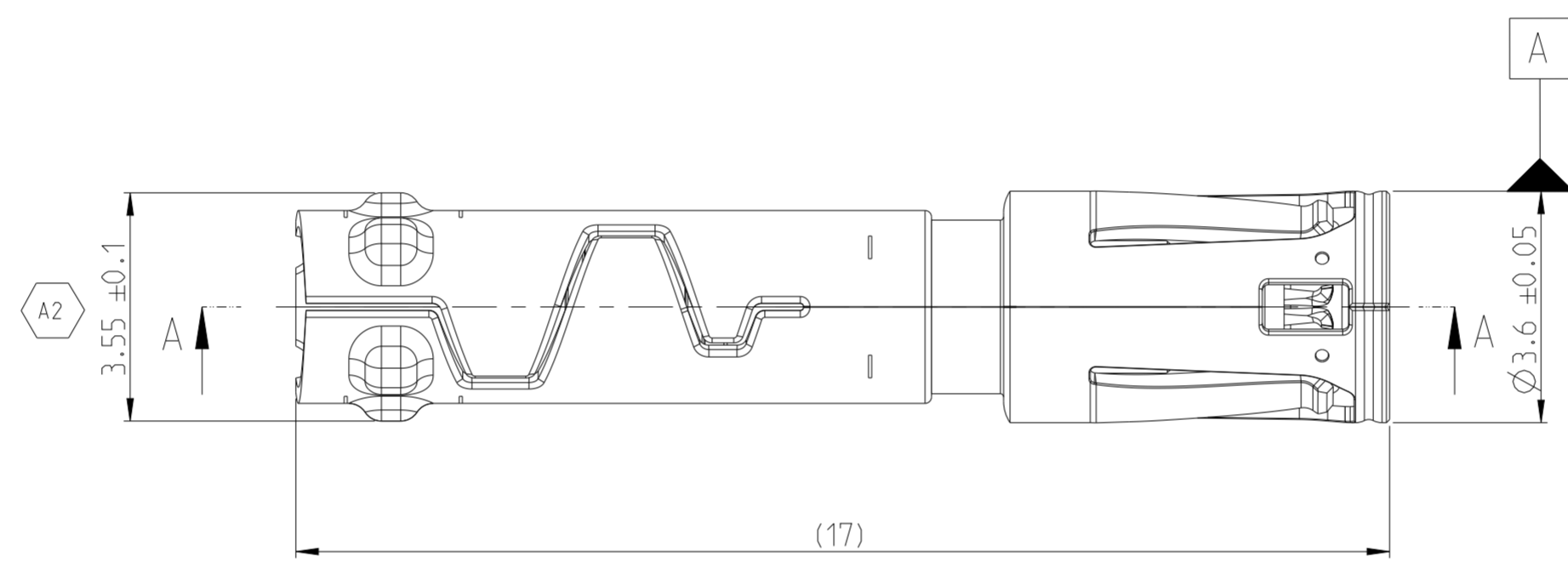
REVISIONS					
P	LTR	DESCRIPTION	DATE	DWN	APVD
-	-	SEE SHEET 1	-	-	-



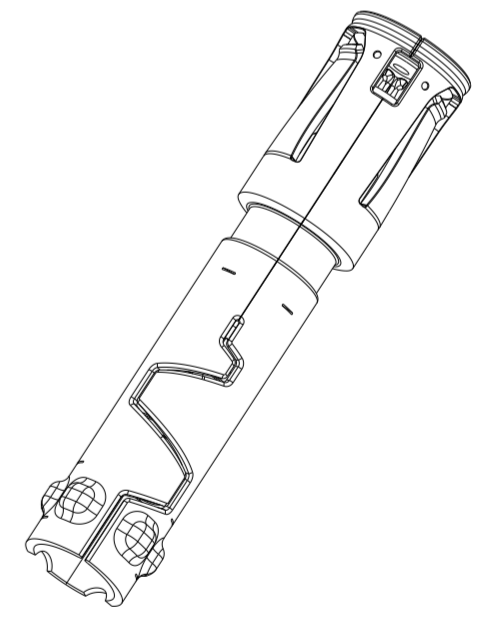
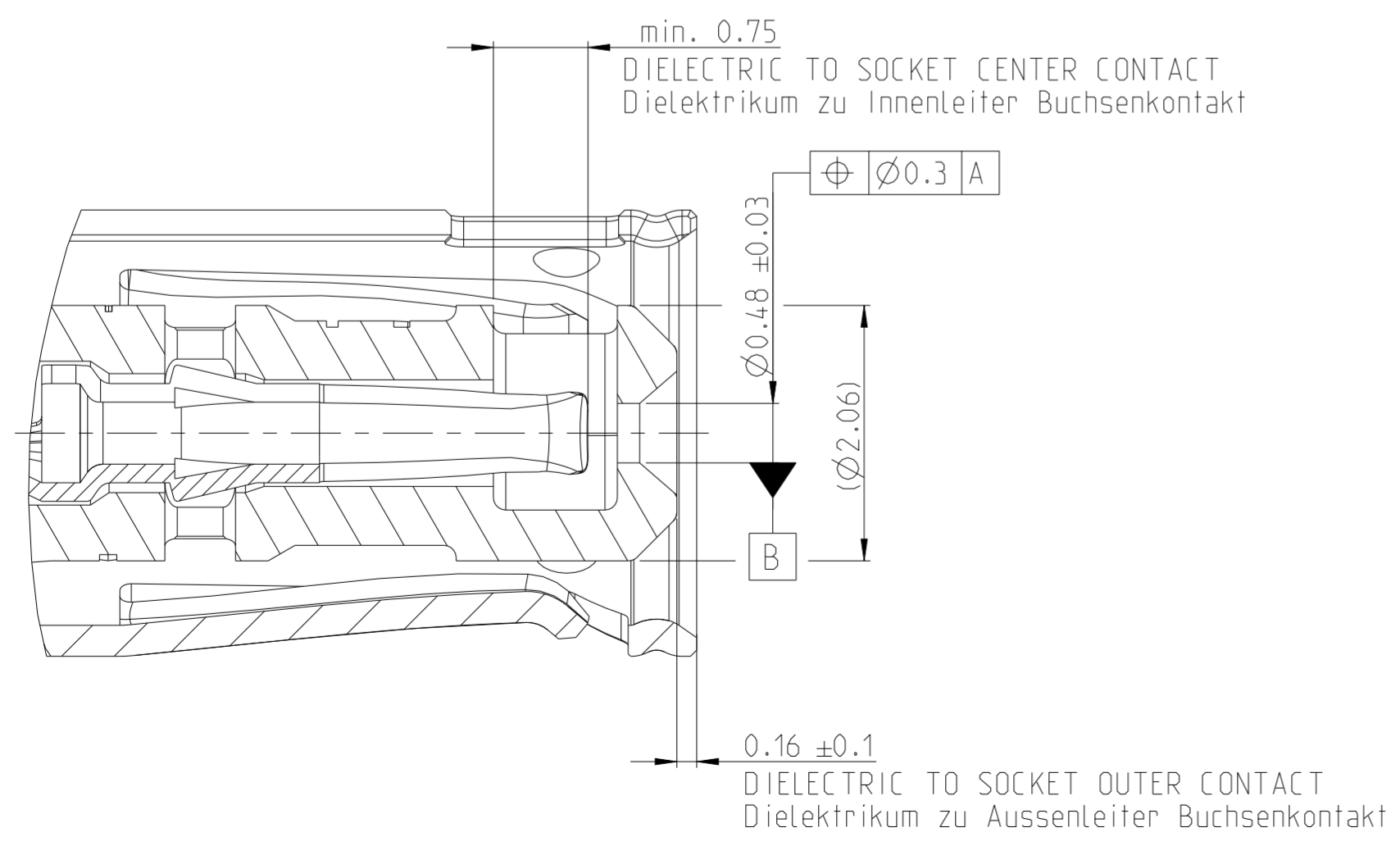
SECTION A-A



6 VALID WHEN CHECKING THE GAP SIZES ON FINAL PRODUCT  
 Gütig bei Überprüfung des Spaltmaßes nach Konfektion



DETAIL X  
20:1



5:1

THIS DRAWING IS A CONTROLLED DOCUMENT.		DWN K.Weinberger 29SEP2017	TE Connectivity	
DIMENSIONS: mm		CHK G.v.d.Burgl 29SEP2017		
TOLERANCES UNLESS OTHERWISE SPECIFIED:		APVD C.Schrettlinger 29SEP2017	NAME MATE-AX 180DEG SOCKET CONTACT, ASSY MATE-AX 180Grad Buchsenkontakt, Assy CABLE RG174	
0 PLC ±0.2 1 PLC ±0.1 2 PLC ±0.1 3 PLC ± 4 PLC ±		PRODUCT SPEC 108-94515	SIZE A2	CAGE CODE 00779
MATERIAL -		FINISH -	DRAWING NO C-2298510	RESTRICTED TO -
-		WEIGHT -	SCALE 10:1	SHEET 2 OF 2
-		CUSTOMER DRAWING	REV A4	