

FINISH TYPE	"0" TIN	"1" 15MICROINCH GOLD	"2" 30MICROINCH GOLD				
CKT	HDR ASSY PN	HDR ASSY PN	HDR ASSY PN	A	B	C	D
2	2182160220	2182160221	2182160222	7.16	NA	2.95	11.20
4	2182160420	2182160421	2182160422	10.16	3.00	2.95	14.20
6	2182160620	2182160621	2182160622	13.16	6.00	2.95	17.20
8	2182160820	2182160821	2182160822	16.16	9.00	7.70	20.20

LEGEND

218216 - * * * *

SERIES NO. _____

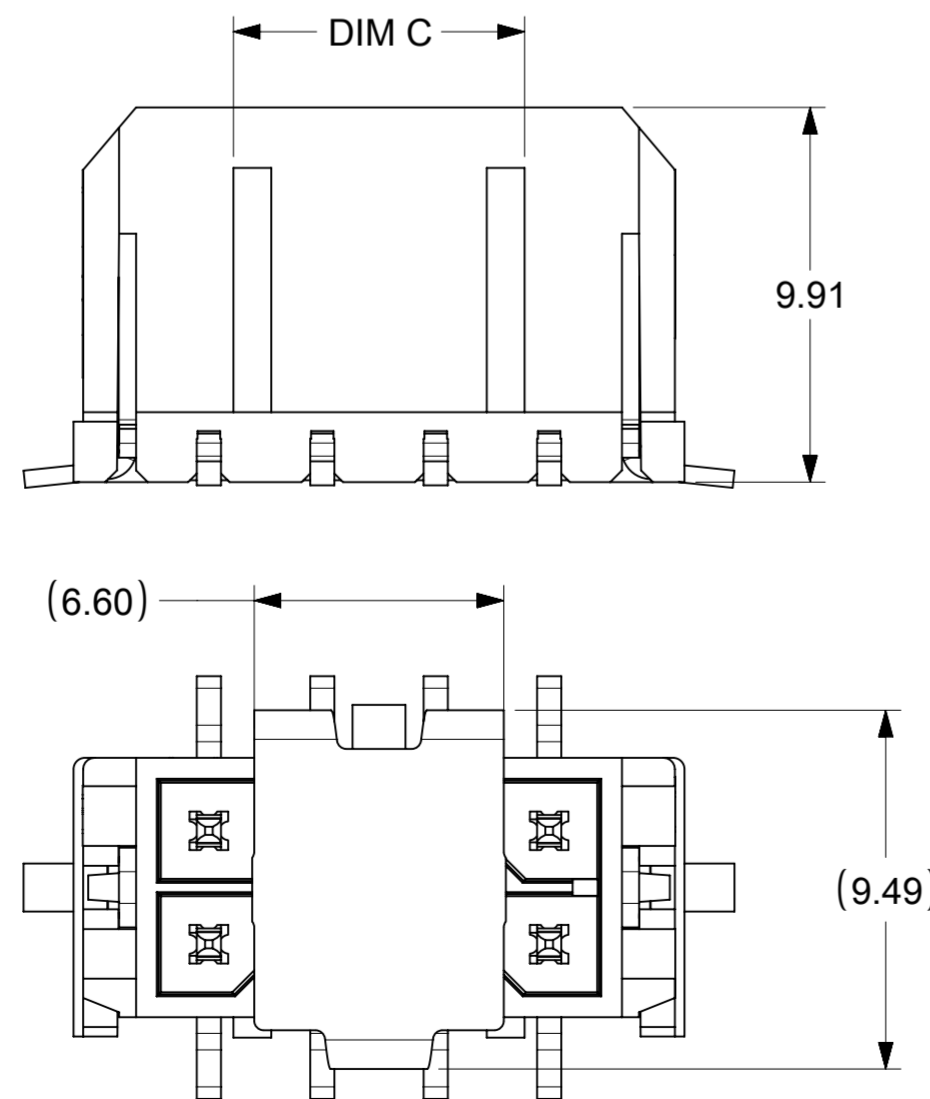
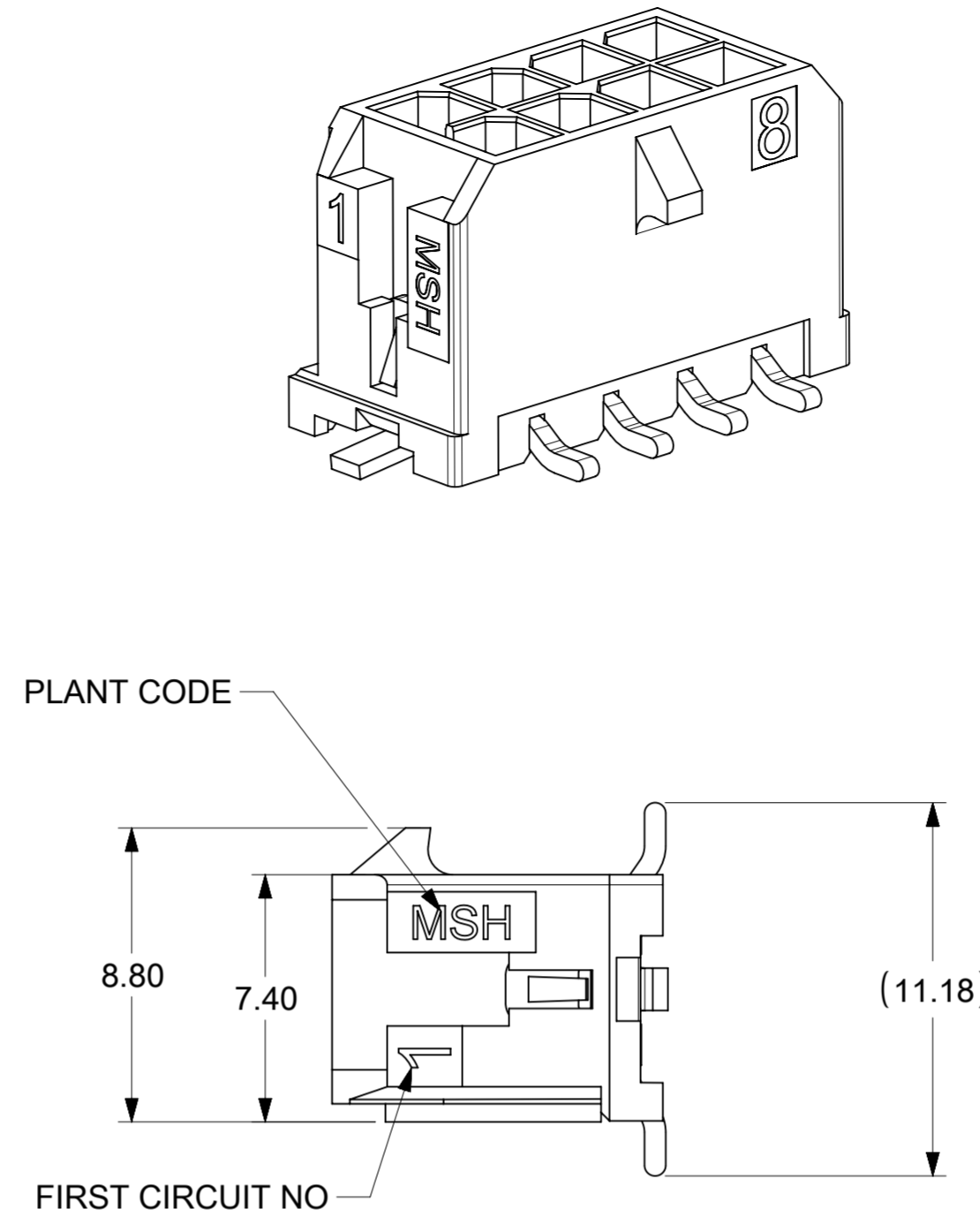
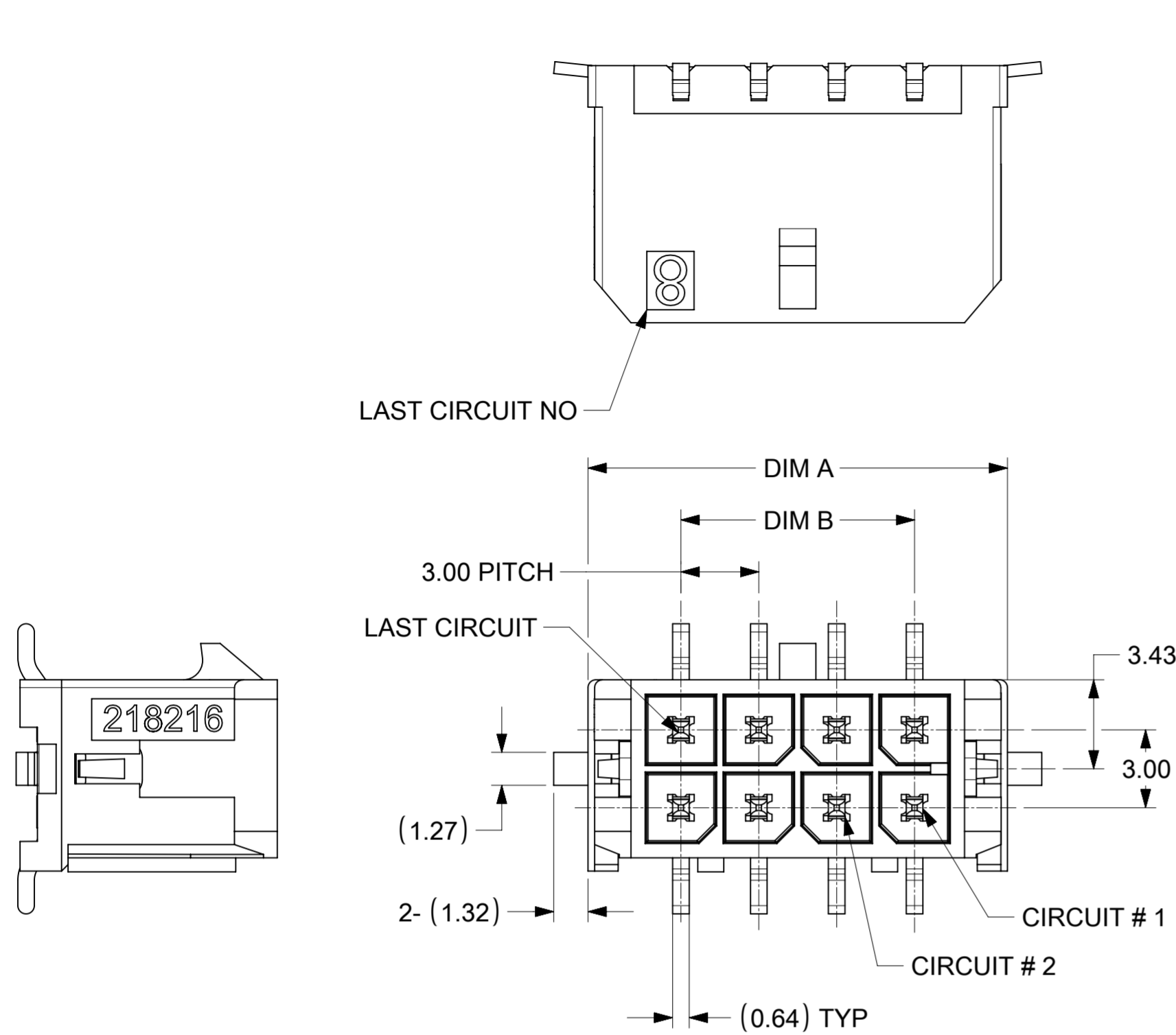
CKT NO. _____

OPTION

- 0: RIGHT ANGLE WITH NAIL
- 1: RIGHT ANGLE WITH CLIP
- 2: VERTICAL WITH NAIL
- 3: VERTICAL WITH CLIP

PLATING OPTION

- 0: TIN
- 1: 15MICROINCH AU
- 2: 30MICROINCH AU



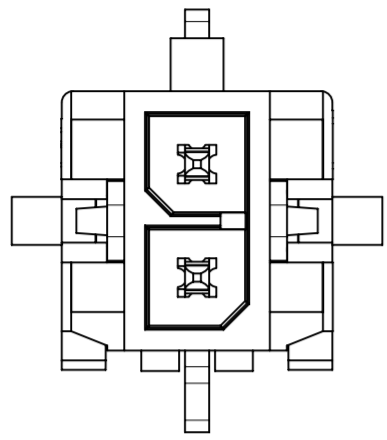
SHOWN WITH DISPOSABLE CAP (43555-000*)
SEE NOTE 5

NOTES:

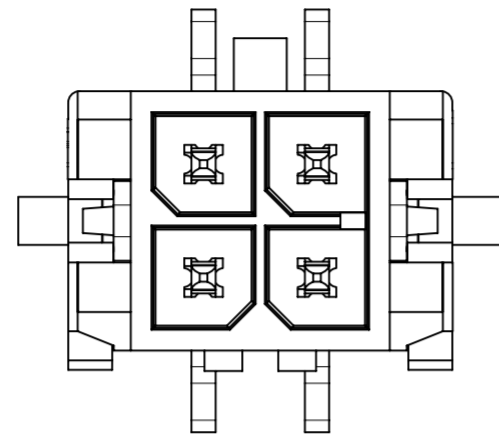
1. HOSEING MATERIAL: GLASS FILLED LIQUID CRYSTAL POLYMER, UL 94V-0, COLOR: BLACK
TERMINAL MATERIAL: HIGH COPPER ALLOY
2. FINISH:
OPTION "0": REFLOW MATTE TIN OVER NICKEL
OPTION "1": SELECT 15MICROINCH GOLD AND SELECT MATTE TIN OVER NICKEL.
OPTION "2": SELECT 30MICROINCH GOLD AND SELECT MATTE TIN OVER NICKEL.
3. PRODUCT SPECIFICATION : 2064600000-PS
4. PRODUCT TEST SUMMARY: 2064600000-TS
5. T&R PACK : 2182160001-PK
6. MATE WITH RECEPTACLE 206461
7. THE COPLANARITY DIMENSION IS ESTABLISHED BY PLACING THE ASSEMBLY ON A FLAT SURFACE. THE DISTANCE FROM THAT SURFACE TO THE BOTTOM OF ANY TERMINAL OR NAIL MUST NOT EXCEED 0.15
8. THIS PART CONFORMS TO CLASS 'B' REQUIREMENTS OF COSMETIC SPECIFICATION PS-45499-002.

0.15 MAX
SEE NOTE 7

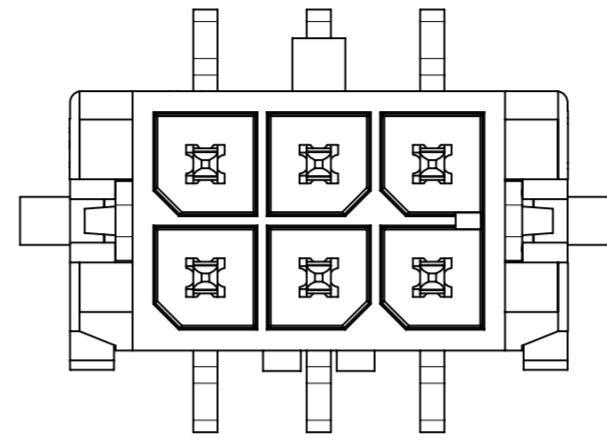
THIS DRAWING CONTAINS INFORMATION THAT IS PROPRIETARY TO MOLEX ELECTRONIC TECHNOLOGIES, LLC AND SHOULD NOT BE USED WITHOUT WRITTEN PERMISSION									
DIMENSION UNITS	SCALE	CURRENT REV DESC:		molex					
mm	NTS								
GENERAL TOLERANCES (UNLESS SPECIFIED)				MICRO-FIT PLUS DUAL ROW VERTICAL HEADER SMT HEADER WITH NAIL					
ANGULAR TOL ± 3.0°									
4 PLACES	±	EC NO: 834974	2023/01/04	PRODUCT CUSTOMER DRAWING					
3 PLACES	±	DRWN: ZIXUAQ	2026/01/14						
2 PLACES	± 0.25	CHK'D: XQZHANG	2026/01/14						
1 PLACE	± 0.36	APPR: XQZHANG	2026/01/14	DOCUMENT NUMBER: 2182160020-SD DOC TYPE: PSD DOC PART: 000 REVISION: A1					
0 PLACES	±	INITIAL REVISION:							
DRAFT WHERE APPLICABLE MUST REMAIN WITHIN DIMENSIONS		DRWN: ALUO02	2021/04/21	MATERIAL NUMBER		CUSTOMER		SHEET NUMBER	
		APPR: XQZHANG	2022/10/17	SEE TABLE		GENERAL MARKET		1 OF 2	



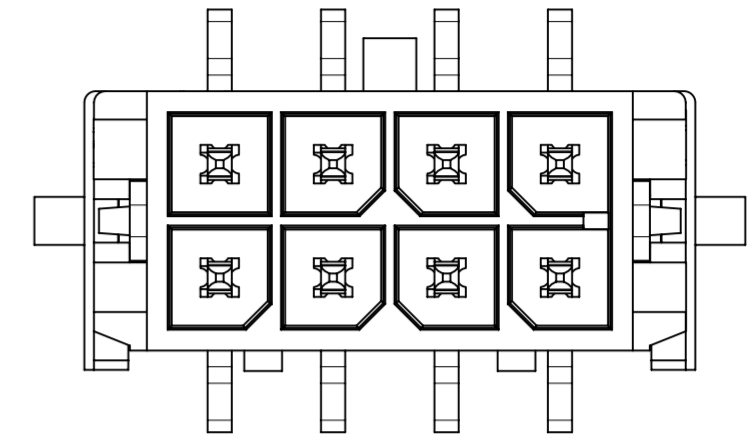
2CKT



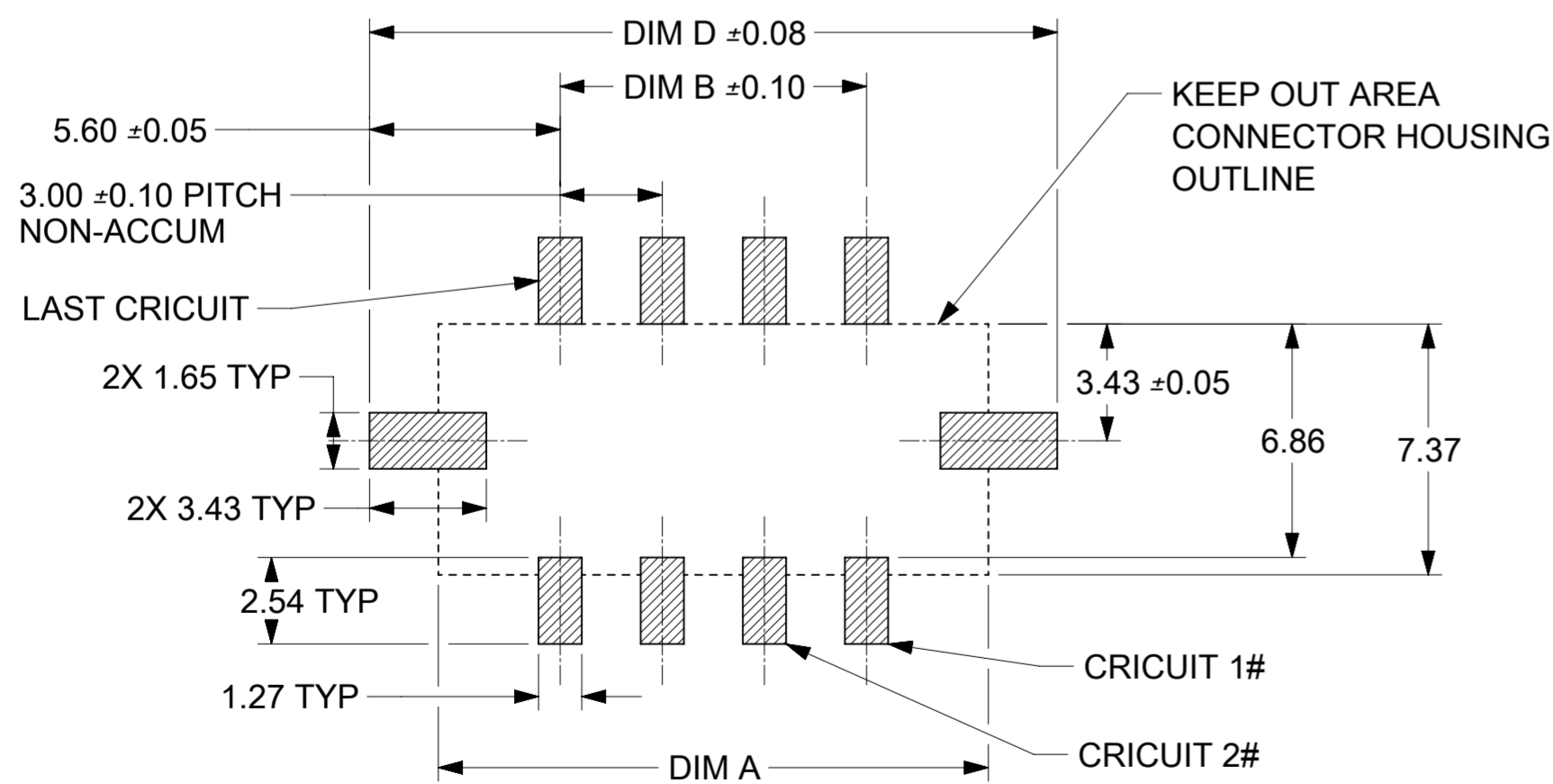
4CKT



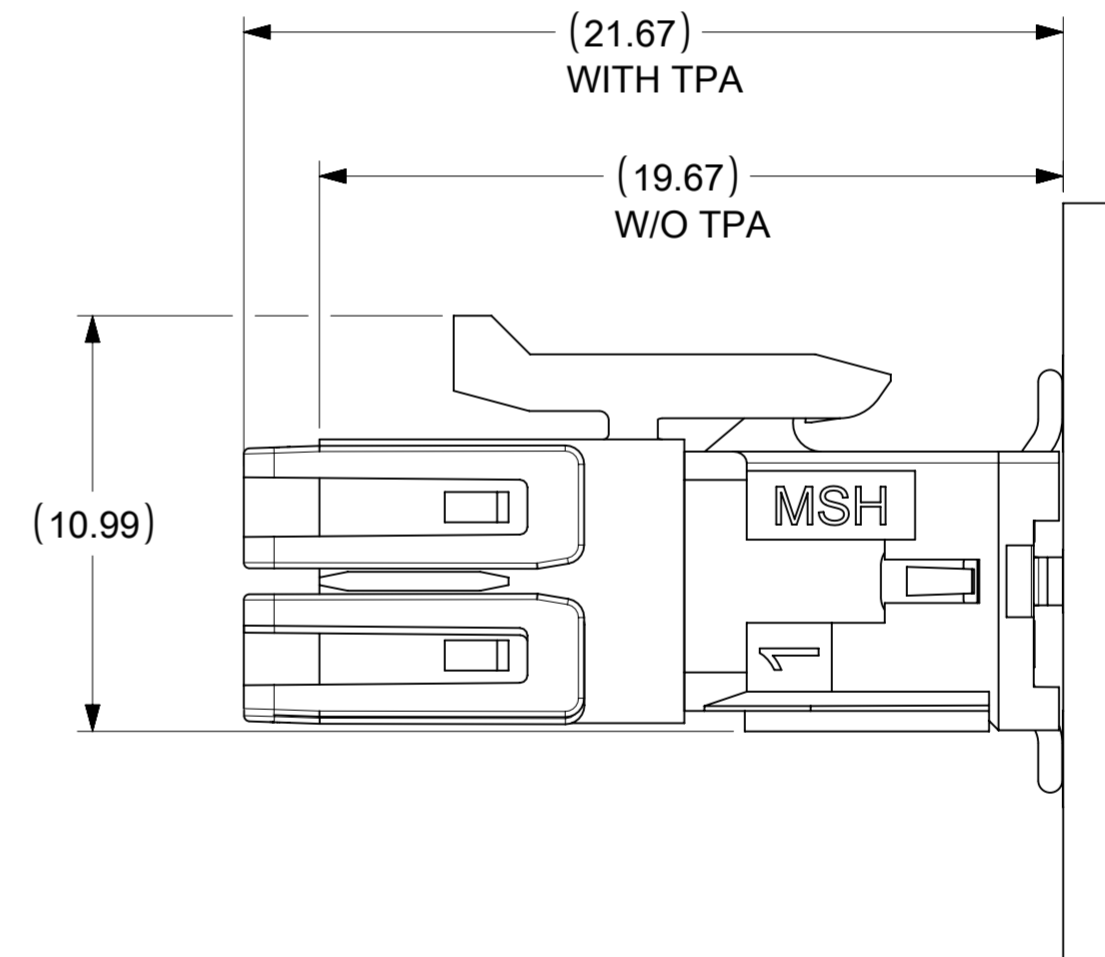
6CKT



8CKT



PCB LAYOUT: COMPONENT SIDE



MATE WITH 206461 SERIES

THIS DRAWING CONTAINS INFORMATION THAT IS PROPRIETARY TO MOLEX ELECTRONIC TECHNOLOGIES, LLC AND SHOULD NOT BE USED WITHOUT WRITTEN PERMISSION																	
DIMENSION UNITS		SCALE		CURRENT REV DESC:													
mm		NTS		<p>molex</p> <p>MICRO-FIT PLUS DUAL ROW VERTICAL HEADER SMT HEADER WITH NAIL</p> <p>PRODUCT CUSTOMER DRAWING</p> <table border="1"> <tr> <td>DOCUMENT NUMBER</td> <td>DOC TYPE</td> <td>DOC PART</td> <td>REVISION</td> </tr> <tr> <td>2182160020-SD</td> <td>PSD</td> <td>000</td> <td>A1</td> </tr> </table>						DOCUMENT NUMBER	DOC TYPE	DOC PART	REVISION	2182160020-SD	PSD	000	A1
DOCUMENT NUMBER	DOC TYPE	DOC PART	REVISION														
2182160020-SD	PSD	000	A1														
GENERAL TOLERANCES (UNLESS SPECIFIED)																	
ANGULAR TOL	\pm	3.0°															
4 PLACES	\pm	0.25															
3 PLACES	\pm	0.36															
2 PLACES	\pm	0.50															
1 PLACE	\pm	0.75															
0 PLACES	\pm	1.00															
DRAFT WHERE APPLICABLE MUST REMAIN WITHIN DIMENSIONS		THIRD ANGLE PROJECTION		DRAWING	SERIES	MATERIAL NUMBER	CUSTOMER	SHEET NUMBER									
				A2-SIZE	218216	SEE TABLE	GENERAL MARKET	2 OF 2									

DOCUMENT STATUS	P1	RELEASE DATE	2026/01/14	03:15:45
-----------------	----	--------------	------------	----------