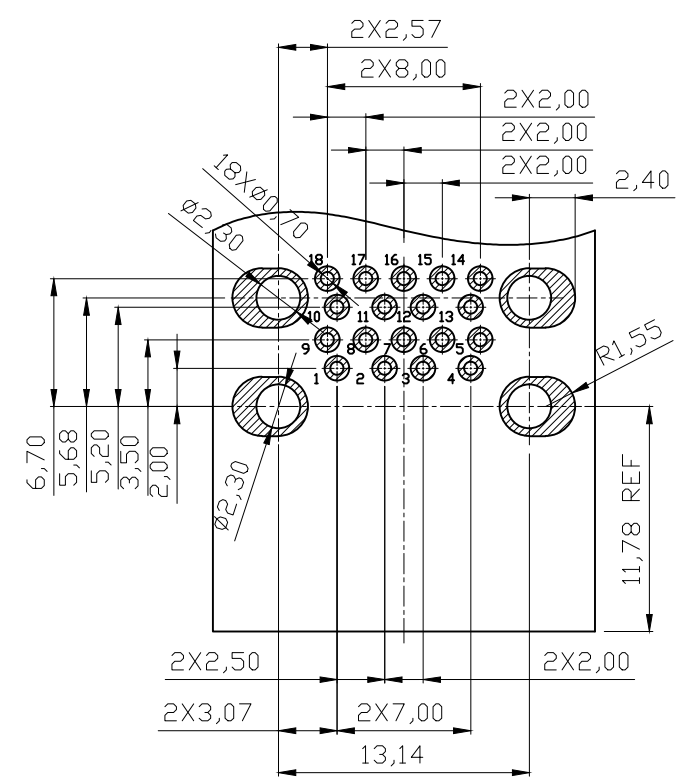
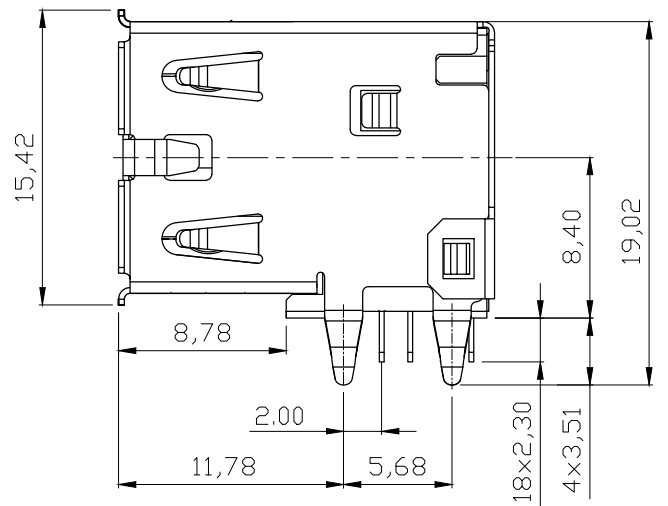


① **USB3.0 COMPLIANT**



RECOMMENDED P.C.B LAYOUT
TOLERANCES: ±0.05 mm

- NOTES:**
 Material :
 ④ Housing: Thermal Plastic PA9T UL94 HB Color: Blue (pANTONE 300C)
 ③ Contacts: Copper alloy, 30u" Pd-Ni+2u" gold on Contact; Tin plating on Solder Tail.
 Shell: Copper alloy, Tin Plating (Bright).
 Electronic Characteristic :
 ② Current Rating:
 1.8Amp (Max) Shall be applied to Vbus pin and its corresponding GND pin.
 0.25 Amp (Min) shall be applied to all the other contacts.
 Voltage - Rating: 30V AC/DC Max.
 ③ Dielectric Voltage: 100VAC/minute
 ③ Mating Cycles: 5,000 cycles min
 ③ Mating Force: 35N max
 ③ Unmating Force: 10N min
 ③ Operating temperature: -20 °C to +85 °C
 ② Soldering temperature: +260 °C max, 10S
 ③ Packing: Tray

RoHS compliant
Unit: mm

Scale	Free						Date	Name
TOLERANCE		④	Add the insulator material	25.03.2025	Peter	Drawn	01.07.2011	Jason
X.	±0.50	③	Update	28.10.2019	Carson	Approved	25.03.2025	Peter
X.X	±0.30	②	Add Electronic data&operating temp.	06.03.2017	Winnie			
X.XX	±0.20	①	Add the "USB3.0 COMPLIANT"	24.03.2014	Winnie			
DIM	TOL	①	Add the "USB3.0 COMPLIANT"	24.03.2014	Winnie			
X.°	±5°	①	Drawn	01.07.2011	Jason			
X.X°	±X°	①	Drawn	01.07.2011	Jason			
Angle	TOL	Id.	Modification	Date	Name			

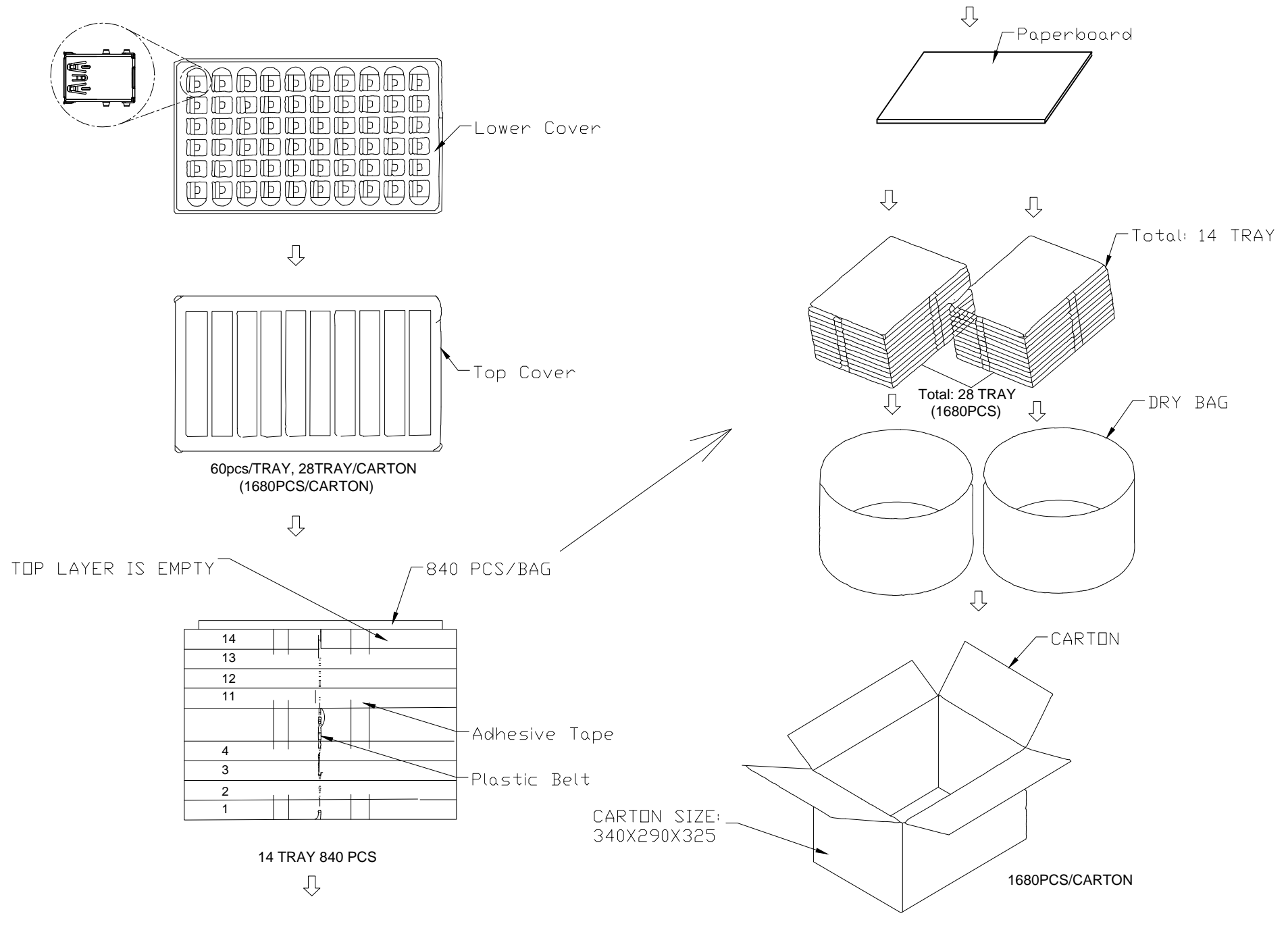


Customer-No.		
ASSMANN WSW-No.		A-USB3 A-2P
Drawing-No.		ASS 4530 CO rev04
Replace		1/2

1 2 3 4 5 6 7



A
B
C
D
E
F
G
H

A
B
C
D
E
F
G
H



NOTES:
 1. MATERIAL: PS
 2. PACKING: 60PCS/TRAY, 1680PCS/CARTON
 3. All Material in According with the Rohs Environment Related Substances List Controlled

RoHS compliant
Unit: mm

Scale	Free						Date	Name	Customer-No.		
TOLERANCE		④	Add the insulator material	25.03.2025	Peter	Drawn	01.07.2011	Jason	ASSMANN WSW-No. A-USB3 A-2P		
X.	±0.50	③	Update	28.10.2019	Carson	Approved	25.03.2025	Peter			
X.X	±0.30	②	Add Electronic data&operating temp.	06.03.2017	Winnie						
DIM	TOL	①	Add the"USB3.0 COMPLIANT"	24.03.2014	Winnie	 A company of 			Drawing-No.		
X.°	±5°	①	Drawn	01.07.2011	Jason				ASS 4530 CO		rev04
X.X°	±X°	①	Id.	Modification	Date				Name	Replace	2/2
Angle	TOL	Id.	Modification	Date	Name						

1 2 3 4 5 6 7